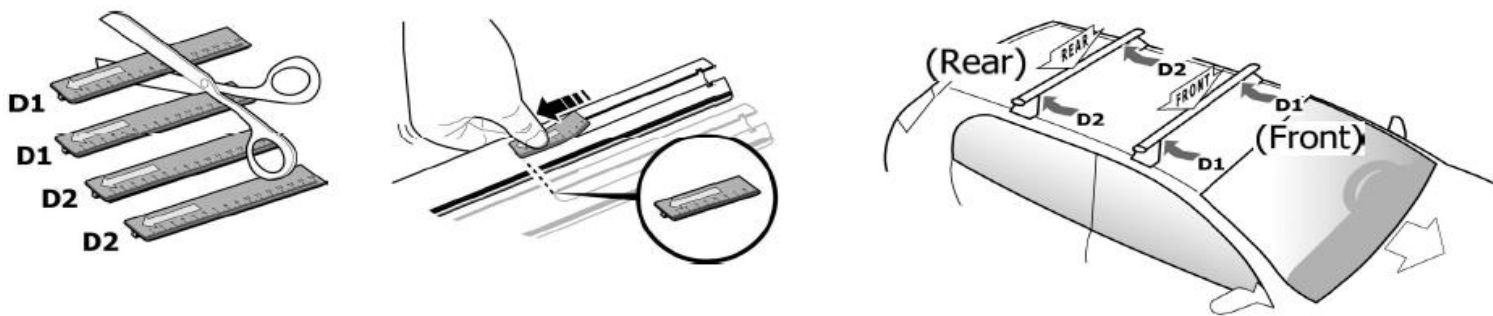
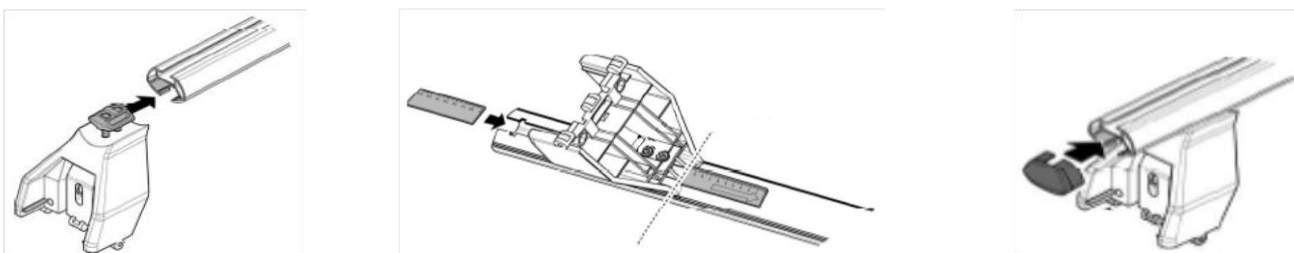


**1**



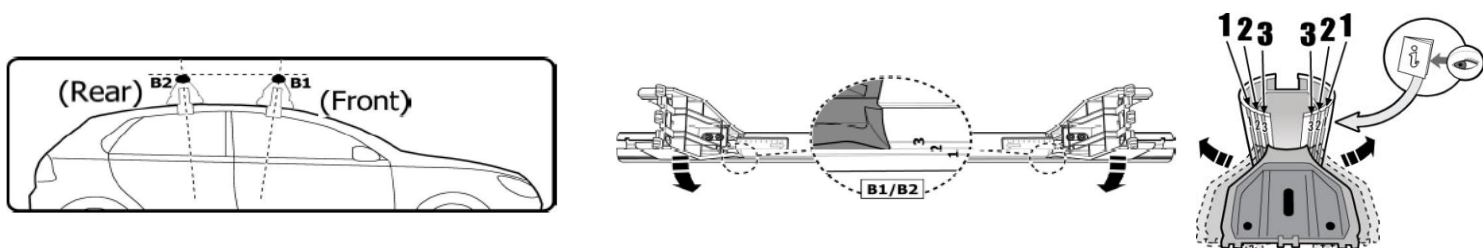
MANUFACTURER	MODEL CAR	DOORS	MODEL YEAR	D1	D2
VOLKSWAGEN	Polo V (6R)	3	10>14	13,6	11,8

**2**



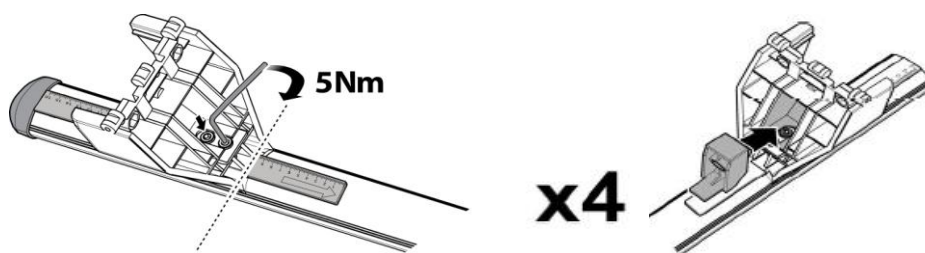
**x4**

**3**

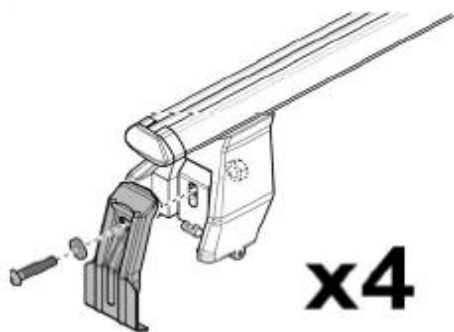


MANUFACTURER	MODEL CAR	DOORS	MODEL YEAR	B1	B2
VOLKSWAGEN	Polo V (6R)	3	10>14	1	2

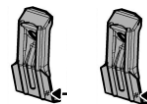
**4**



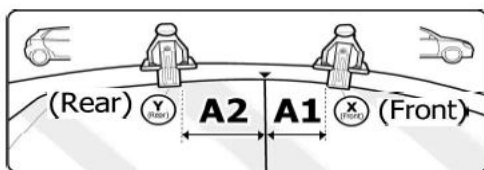
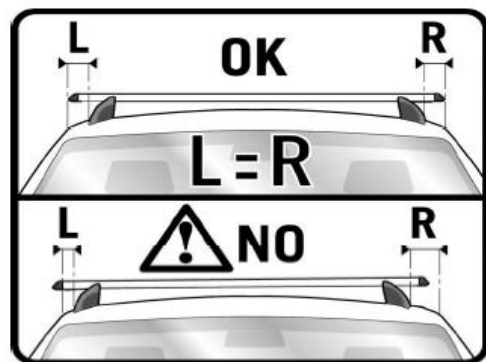
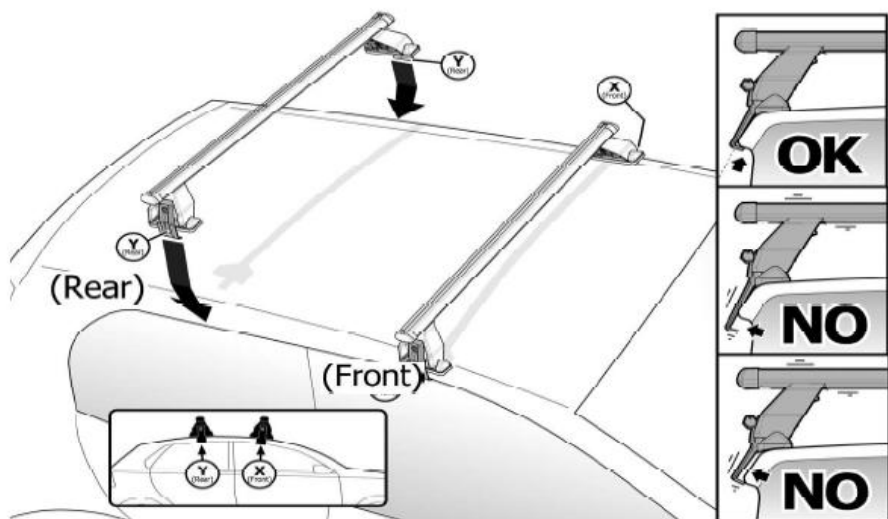
**x4**



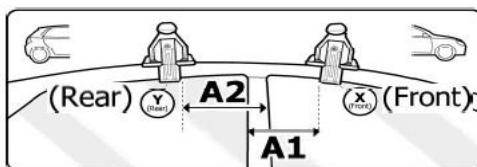
Front	Rear
X	Y



40	13R
x2	x2



OR



MANUFACTURER	MODEL CAR	DOORS	MODEL YEAR	A1	A2
VOLKSWAGEN	Polo V (6R)	3	10>14	49	X

X = predisposizione originale /original arrangement