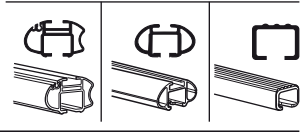
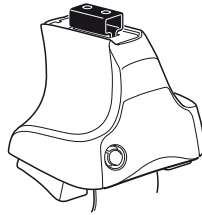


Kit 1183

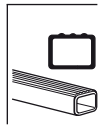
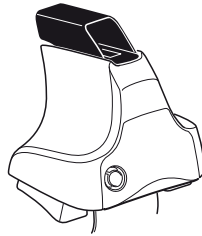
MITSUBISHI Pajero, 3-dr SUV, 99-06

MITSUBISHI Montero, 3-dr SUV, 99-06

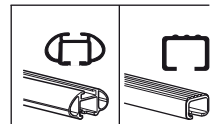
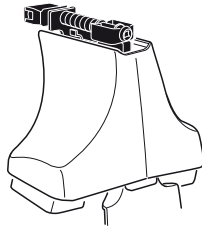
480R
754





480




750




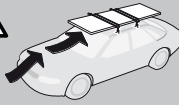

 xx kg
 xx lbs


+  7 kg / 15,4 lbs

=  3 kg / 6,6 lbs


Max. 75kg
Max. 165 lbs








 80 km/h
 50 Mph
 130 km/h
 80 Mph
 40 km/h
 25 Mph
 km/h
 Mph


THULE

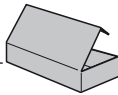



+ 

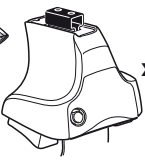
Kit XXXX
 instructions




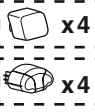






 x1

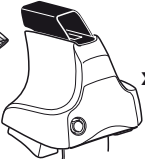
 x4


 x4


 x4
 x4

480R/754


 x1

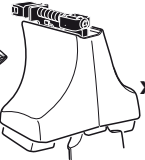
 x4


 x4

 x4

480







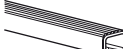




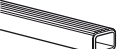



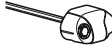

 x1

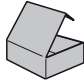
 x4


 x4

750

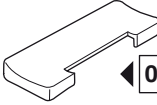


				
 x2	 x2	 x2  x2	 x2  x2	 x2
 x2		 x4		
 x2		 x4		
 x4				






329 x 4

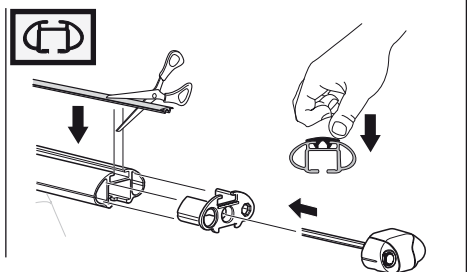
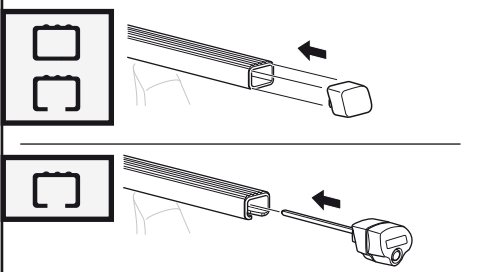
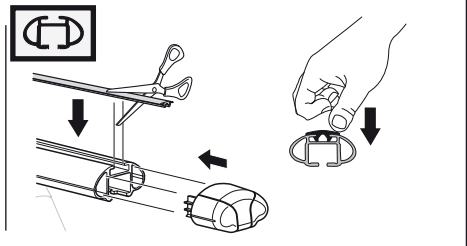
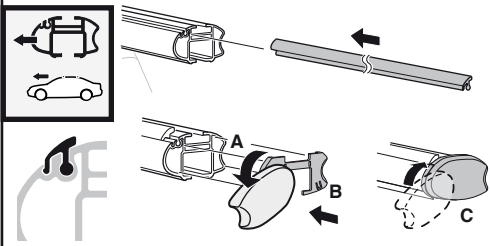


04 x 4

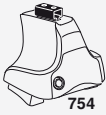


x 1

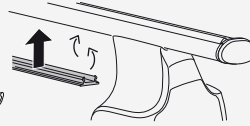
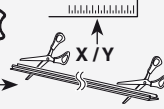
Kit



3



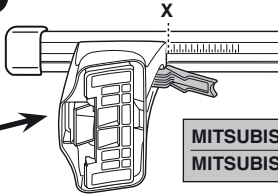
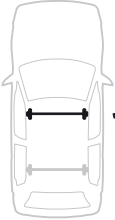
754



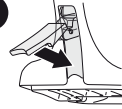
750



1

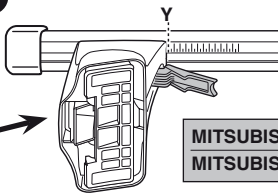


2

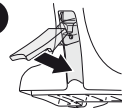


	X
MITSUBISHI Pajero, 3-dr SUV, 99-06	48,5
MITSUBISHI Montero, 3-dr SUV, 99-06	48,5

1



2



	Y
MITSUBISHI Pajero, 3-dr SUV, 99-06	47,5
MITSUBISHI Montero, 3-dr SUV, 99-06	47,5

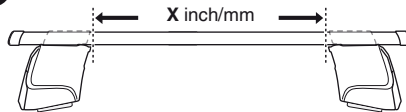


480R

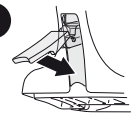


480

1

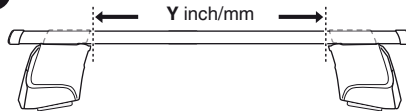


2

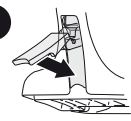


	X inch	X mm
MITSUBISHI Pajero, 3-dr SUV, 99-06	44 ³ / ₄ "	1136 mm
MITSUBISHI Montero, 3-dr SUV, 99-06	44 ³ / ₄ "	1136 mm

1



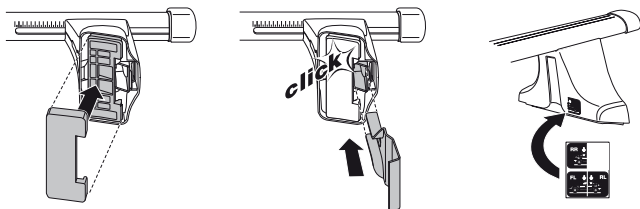
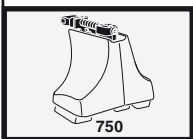
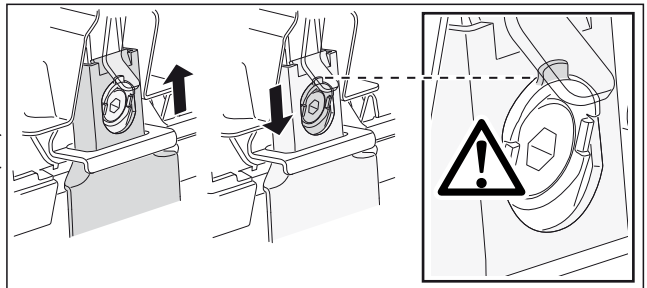
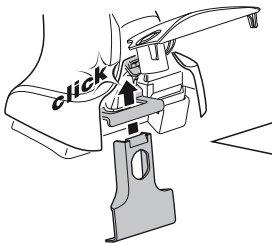
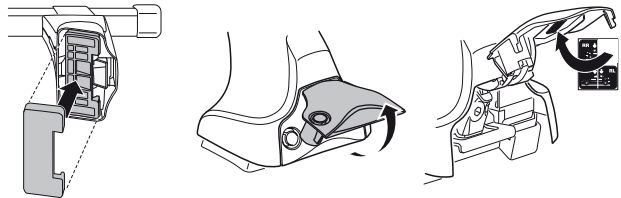
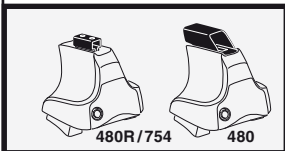
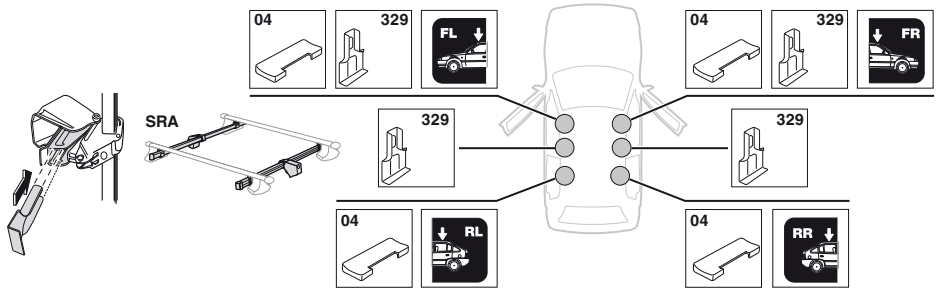
2



	Y inch	Y mm
MITSUBISHI Pajero, 3-dr SUV, 99-06	44 ³ / ₈ "	1126 mm
MITSUBISHI Montero, 3-dr SUV, 99-06	44 ³ / ₈ "	1126 mm

4

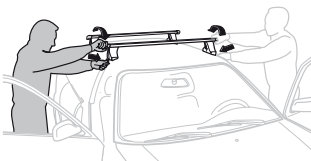
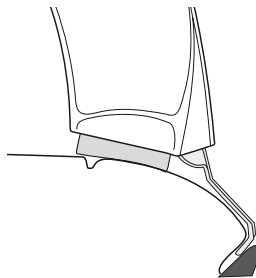
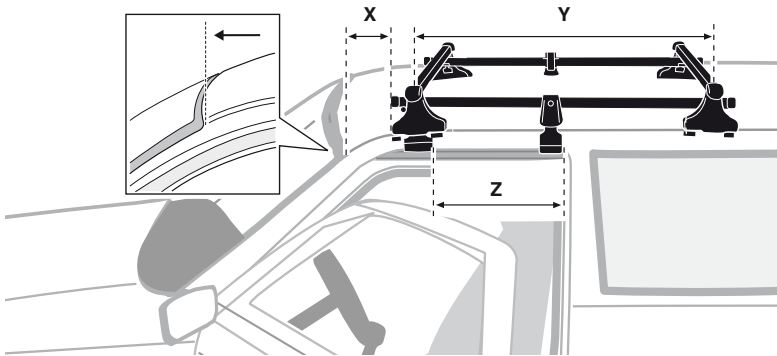
MITSUBISHI Pajero, 3-dr SUV, 99-06
MITSUBISHI Montero, 3-dr SUV, 99-06



5



	X mm	Y mm	Z mm	X inch	Y inch	Z inch
MITSUBISHI Pajero , 3-dr SUV, 99-06	330 mm	700 mm	390 mm	13"	27 1/2"	15 3/8"
MITSUBISHI Montero , 3-dr SUV, 99-06	330 mm	700 mm	390 mm	13"	27 1/2"	15 3/8"



GB/US Tighten alternately

D Die Schrauben abwechselnd anziehen

F Serrer alternativement chaque côté

NL Afwisselend aan de linker- en de rechterkant aandraaien

I Alternare il serraggio delle viti

E Apretar alternativamente

PT Aperte alternadamente

S Dra åt växelvis

FIN Kierrä vuorotellen

EST Pinguldage vaheldumisi

LAT Pievelciēt pamišus

LIT Užsukinėkite pakaitomis

PL Śruby dokręcaj naprzemiennie

RU Затягивайте попеременно

CZ Pokręťta bagazníka dokręcaj dokręcaj naprzemiennie.

SK Doťahujte striedavo

SLO Privijajte izmenično.

HR Naizmjenično zategnite

HU Egyarástl fűggetlenül szorítandó

GR Σφιγγείτε εναλλάξ

TR Dönüşümlü sıkın

中文 交替拧紧

한국어 번갈아 가며 조이십시오.

日本語 交互に締め付けてください。

ไทย ซันไปแบบสลับ

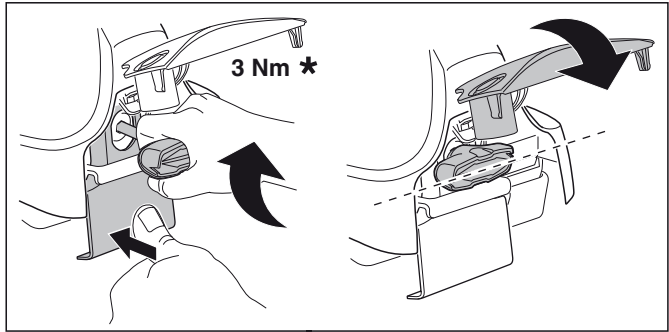
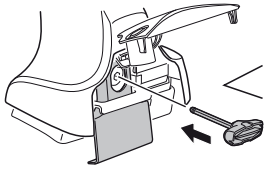
6



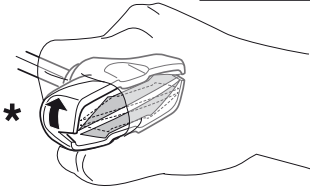
480R/754



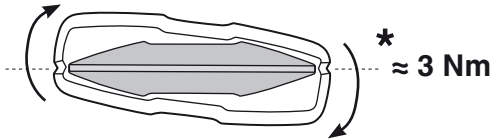
480



3 Nm *



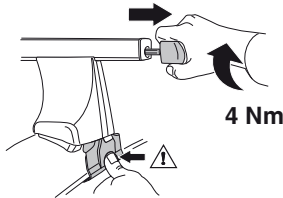
*



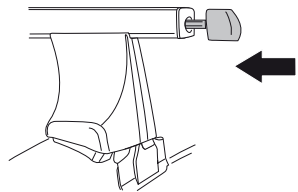
* ≈ 3 Nm



750



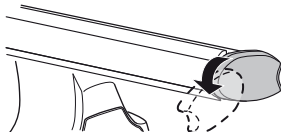
4 Nm



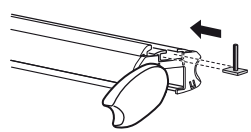
i



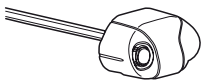
1



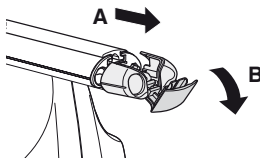
2



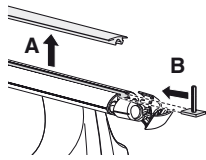
i



1



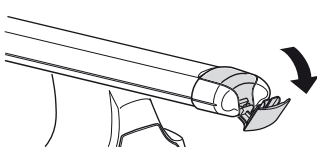
2



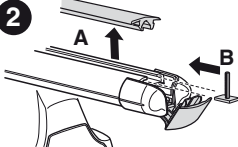
i



1



2





THULE
SWEDEN
**ONE
KEY
SYSTEM**



- 544 (x4)
- 596 (x6)
- 588 (x8)
- NA 510 (x10)
- EUR 452 (x12)
- ASIA 452 (x12)



WW ▶ Thule Sweden AB, Box 69, 330 33 Hillerstorp, SWEDEN
NA ▶ Thule Inc., 42 Silvermine Road, Seymour, Connecticut 06483, USA

info@thule.com
customer.service@thule.com

www.thule.com