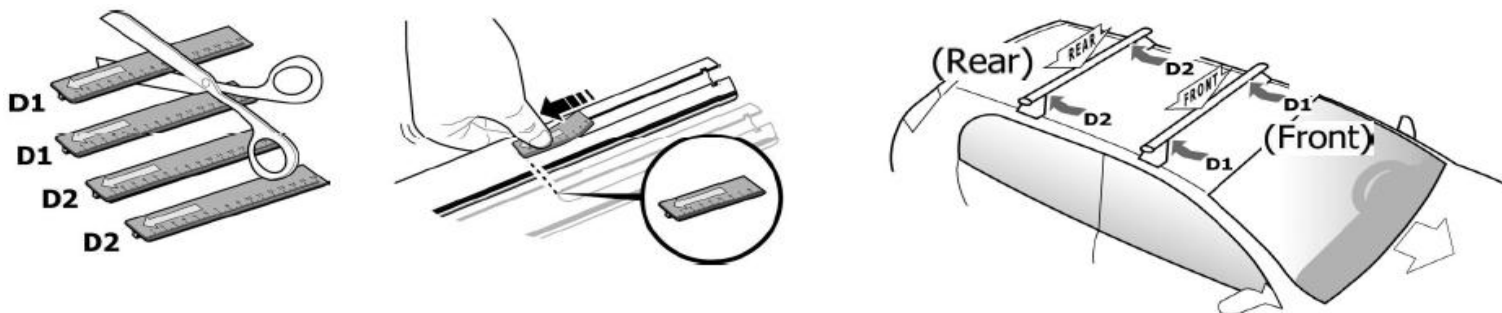
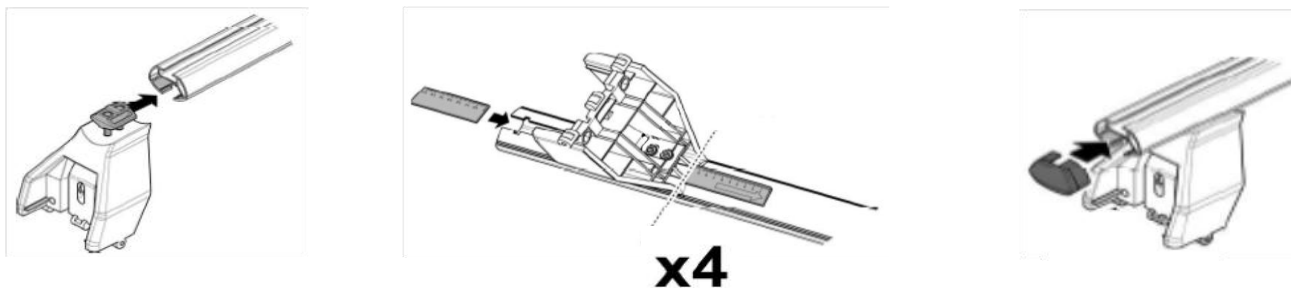


1

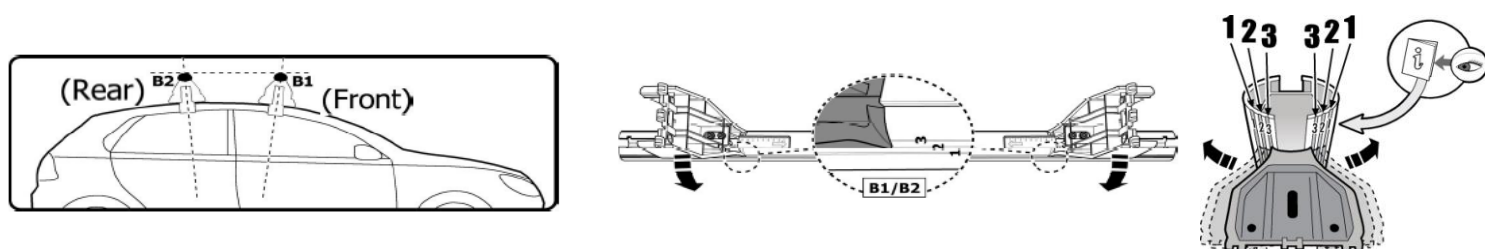


| MANUFACTURER | MODEL CAR | DOORS | MODEL YEAR | D1 | D2 |
|--------------|-----------|-------|------------|------|------|
| DODGE | Journey | 5 | 08>11 | 12,0 | 11,3 |
| FIAT | Freemont | 5 | 11> | 12,0 | 11,3 |
| HONDA | CR-V IV | 5 | 12>15 | 9,8 | 8,9 |
| MAZDA | 2 (DE) | 5 | 07>09 | 12,2 | 10,9 |
| MAZDA | 3 (BK) | 5 | 03>09 | 6,3 | 6,3 |
| MAZDA | 3 (BL) | 5 | 09>13 | 6,3 | 6,3 |
| MAZDA | Cx-7 | 5 | 06>09 | 10,2 | 8,6 |
| MAZDA | Cx-7 | 5 | 09>12 | 10,2 | 8,6 |
| MINI | Cooper | 3 | 14> | 12,8 | 11,8 |
| MINI | Cooper S | 3 | 14> | 12,8 | 11,8 |
| MINI | One | 3 | 14> | 12,8 | 11,8 |

2

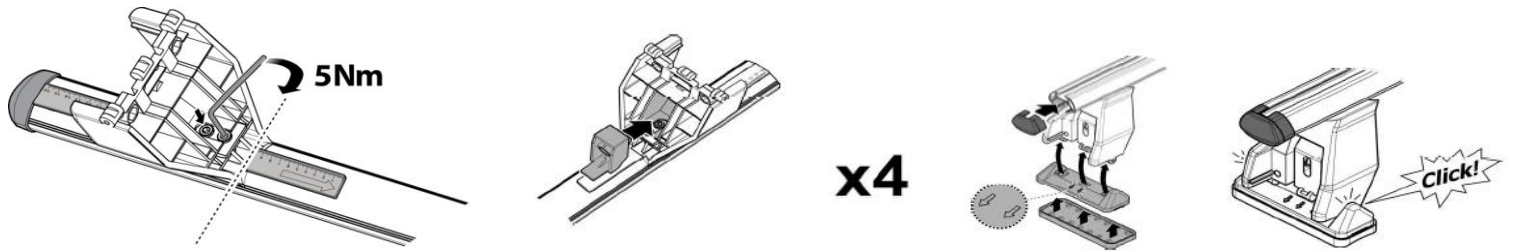


3

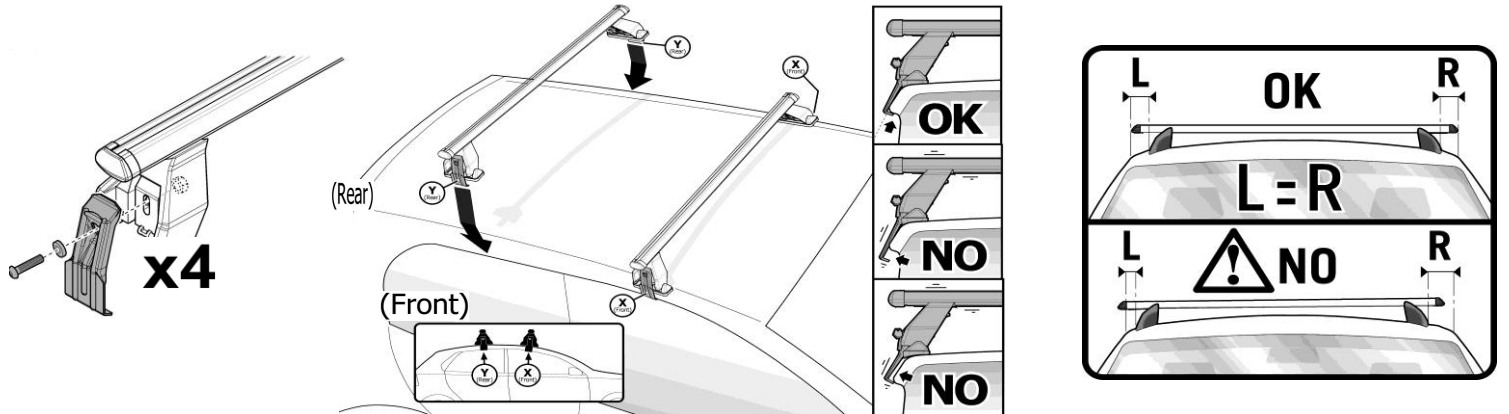


| MANUFACTURER | MODEL CAR | DOORS | MODEL YEAR | B1 | B2 |
|--------------|-----------|-------|------------|----|----|
| DODGE | Journey | 5 | 08>11 | 1 | 2 |
| FIAT | Freemont | 5 | 11> | 1 | 2 |
| HONDA | CR-V IV | 5 | 12>15 | 2 | 2 |
| MAZDA | 2 (DE) | 5 | 07>09 | 2 | 1 |
| MAZDA | 3 (BK) | 5 | 03>09 | 1 | 2 |
| MAZDA | 3 (BL) | 5 | 09>13 | 1 | 2 |
| MAZDA | Cx-7 | 5 | 06>09 | 1 | 2 |
| MAZDA | Cx-7 | 5 | 09>12 | 1 | 2 |
| MINI | Cooper | 3 | 14> | 2 | 2 |
| MINI | Cooper S | 3 | 14> | 2 | 2 |
| MINI | One | 3 | 14> | 2 | 2 |

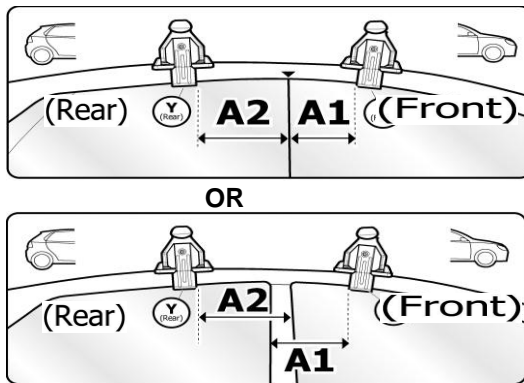
4



5



6



| MANUFACTURER | MODEL CAR | DOORS | MODEL YEAR | A1 | A2 |
|--------------|-----------|-------|------------|----|----|
| DODGE | Journey | 5 | 08>11 | 33 | 59 |
| FIAT | Freemont | 5 | 11> | 33 | 59 |
| HONDA | CR-V IV | 5 | 12>15 | 22 | 45 |
| MAZDA | 2 (DE) | 5 | 07>09 | 22 | 32 |
| MAZDA | 3 (BK) | 5 | 03>09 | 25 | 34 |
| MAZDA | 3 (BL) | 5 | 09>13 | 25 | 34 |
| MAZDA | Cx-7 | 5 | 06>09 | 25 | 43 |
| MAZDA | Cx-7 | 5 | 09>12 | 25 | 43 |
| MINI | Cooper | 3 | 14> | 35 | 35 |
| MINI | Cooper S | 3 | 14> | 35 | 35 |
| MINI | One | 3 | 14> | 35 | 35 |

X = predisposizione originale /original arrangement