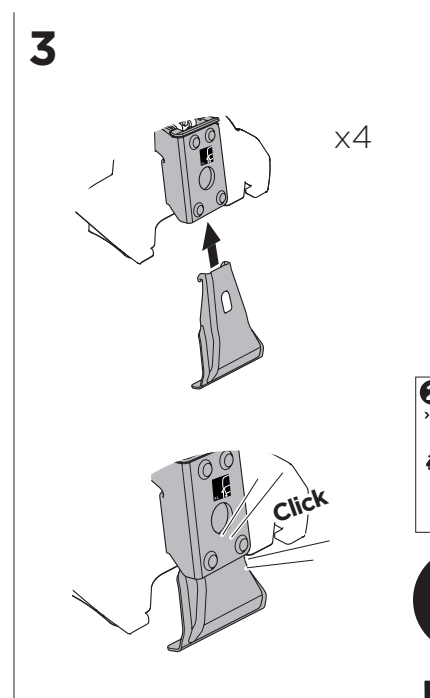
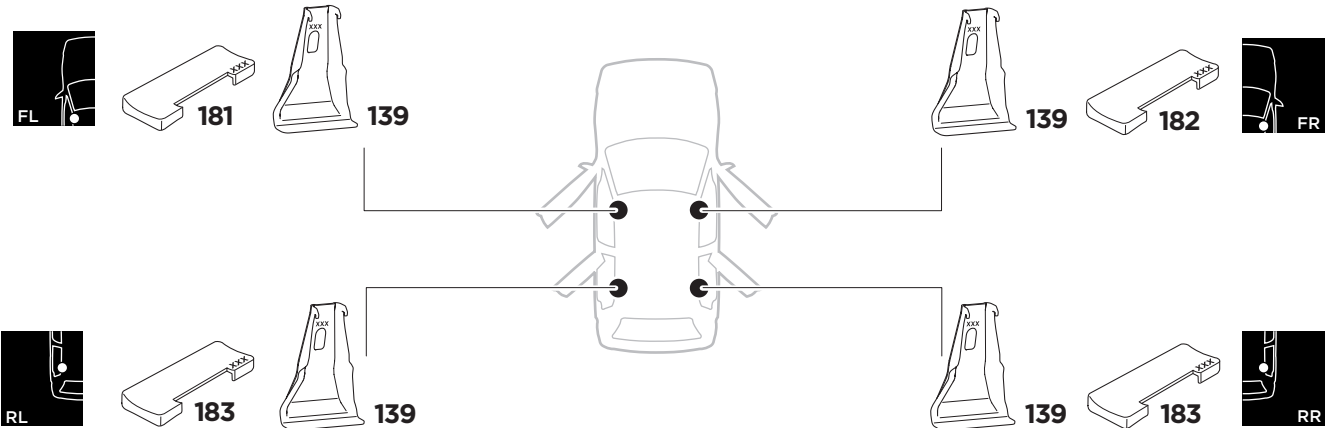
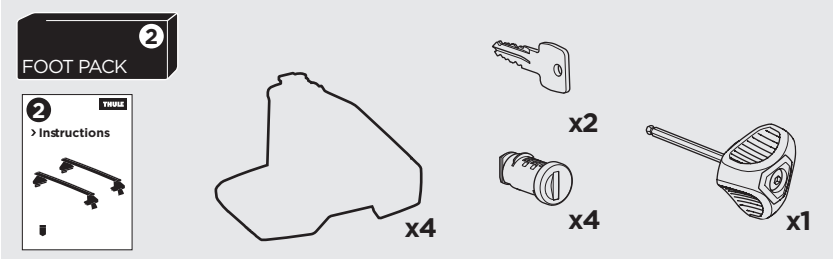
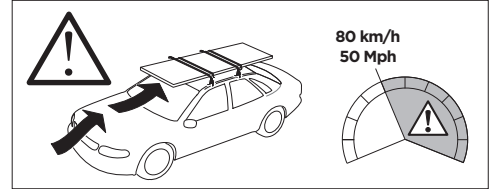
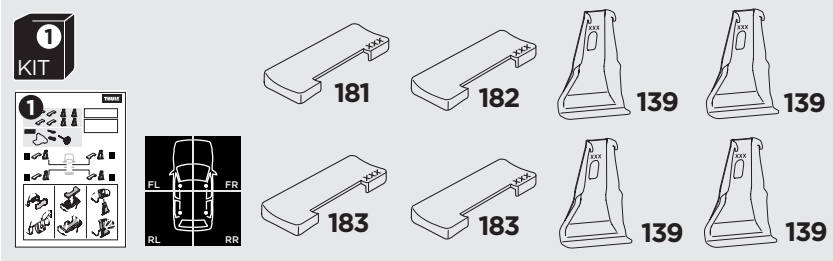


# 1

## Kit 5044

PEUGEOT 3008, 5-dr SUV, 17-

ISO 11154-E





|                                    |                    |               |                 |                      |                       |
|------------------------------------|--------------------|---------------|-----------------|----------------------|-----------------------|
| THULE WingBar Evo                  | THULE WingBar Edge | THULE WingBar | THULE SquareBar | <b>Evo X (scale)</b> | <b>Edge X (scale)</b> |
| <b>PEUGEOT 3008, 5-dr SUV, 17-</b> |                    |               |                 | <b>44,5</b>          | <b>H</b>              |

|                                    |                |                          |  |  |
|------------------------------------|----------------|--------------------------|--|--|
| THULE ProBar                       | THULE SlideBar | <b>X (mm/inch)</b>       |  |  |
| <b>PEUGEOT 3008, 5-dr SUV, 17-</b> |                | <b>1096 mm / 43 1/8"</b> |  |  |



|                                    |                    |               |                 |                      |                       |
|------------------------------------|--------------------|---------------|-----------------|----------------------|-----------------------|
| THULE WingBar Evo                  | THULE WingBar Edge | THULE WingBar | THULE SquareBar | <b>Evo Y (scale)</b> | <b>Edge Y (scale)</b> |
| <b>PEUGEOT 3008, 5-dr SUV, 17-</b> |                    |               |                 | <b>41,5</b>          | <b>N</b>              |

|                                    |                |                      |  |  |
|------------------------------------|----------------|----------------------|--|--|
| THULE ProBar                       | THULE SlideBar | <b>Y (mm/inch)</b>   |  |  |
| <b>PEUGEOT 3008, 5-dr SUV, 17-</b> |                | <b>1066 mm / 42"</b> |  |  |

|                                    |                         |                         |
|------------------------------------|-------------------------|-------------------------|
|                                    | <b>W (mm/inch)</b>      | <b>Z (mm/inch)</b>      |
| <b>PEUGEOT 3008, 5-dr SUV, 17-</b> | <b>720 mm / 28 3/8"</b> | <b>259 mm / 10 1/4"</b> |

