

NAOS

NAOS TILTING

NAOS RAPID

SEAGULL

SEAGULL TILTING

SEAGULL RAPID

I Istruzioni per il montaggio

GB Fitting instructions

D Montageanleitung

F Instructions de montage

E Instrucciones de montaje

NL Montage-instructies

PT Instruções de Montagem

S Monteringsanvisning

FIN Asennusohje

EST Paigaldusjuhend

LAT Stiprināšanas instrukcija

LIT Pritvirtinimo instrukcijos

PL Instrukcja montażu

RU Инструкции по установке

CZ Návod na montáž

SK Návod na montáž

SLO Navodila za pritrdjevanje

HR Uputa za sastavljanje

HU A felszerelés módja

GR Οδηγίες συναρμολόγησης

DK Monteringsvejledning

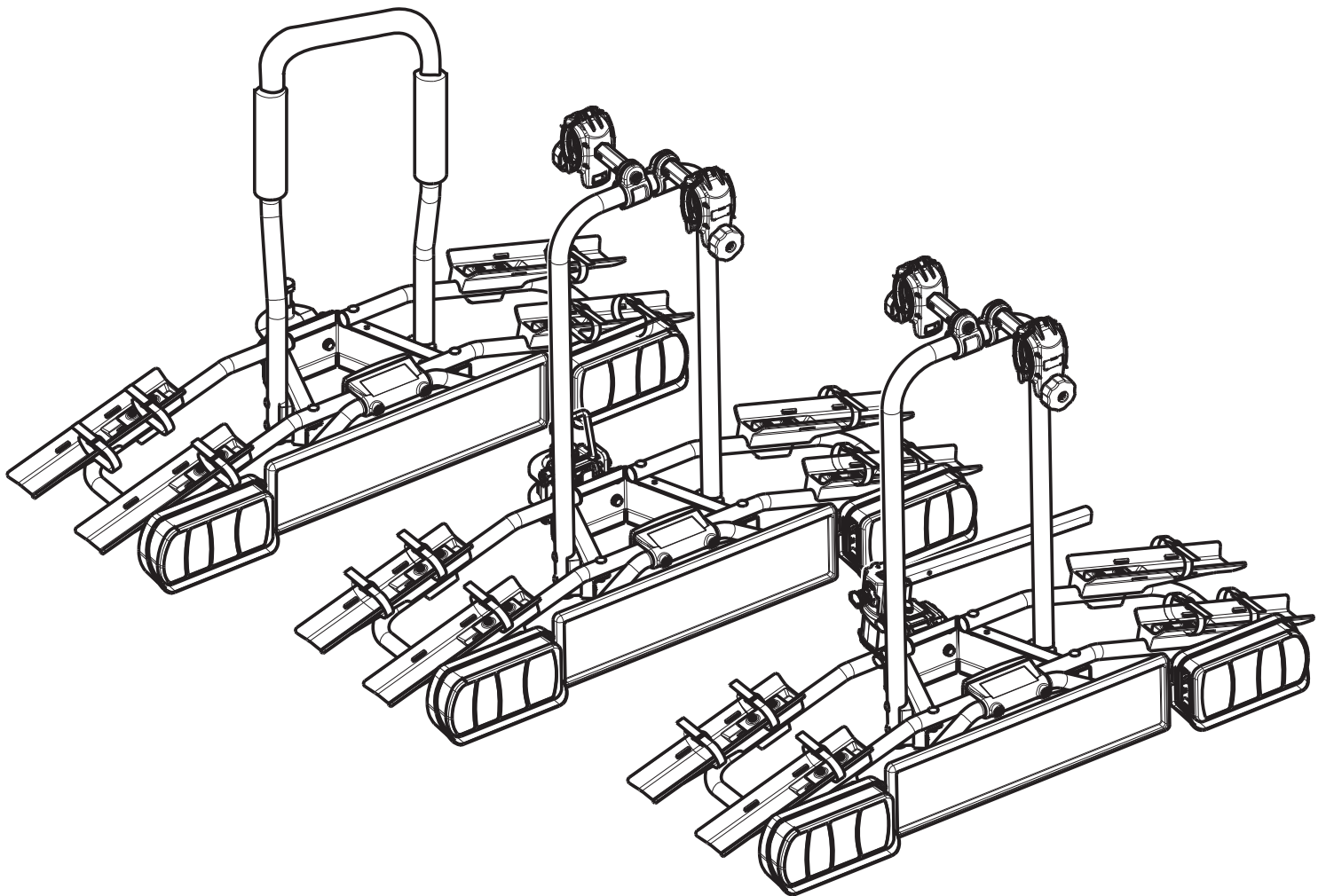
RO Instrucțiuni de montare

TK Uydurma talimat

N Monteringsveiledning

中文 裝修指導

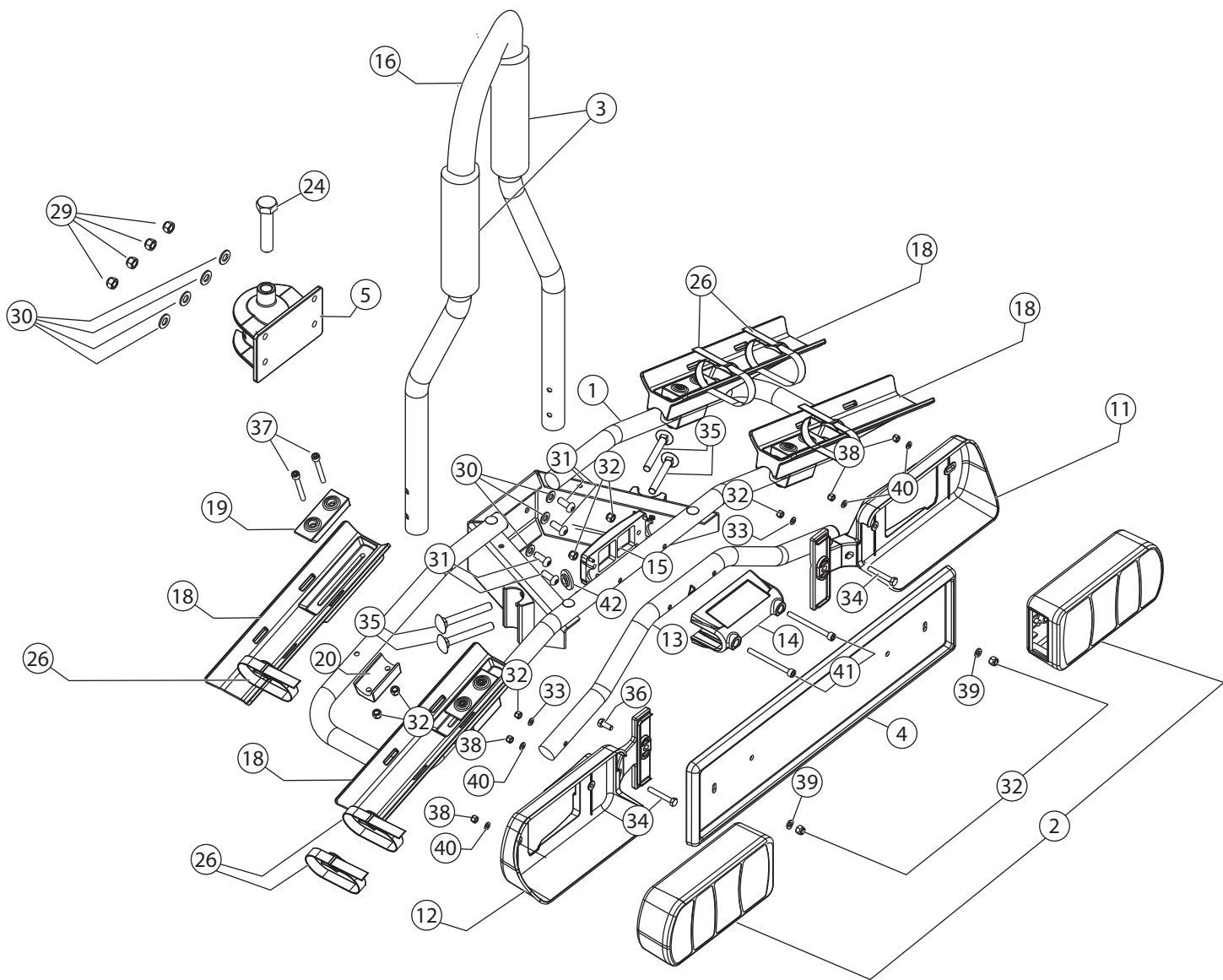
العربية تعليمات التجميل



N.	Componenti (Inclusi) Components (Included) Composants (Comprises) Die Komponenten (im Lieferumfang enthalten) Componentes (Incluido) Компоненты (в комплекте)	NAOS SEAGULL	NAOS TILTING SEAGULL TILTING	NAOS RAPID SEAGULL RAPID
		Q.	Q.	Q.
1		1	1	1
2		1	1	1
3		2	-	-
4		1	1	1
5		1	-	-
6		-	1	1
7		-	1	-
8		-	-	1
9		-	-	1
10		-	2	2
11		1	1	1
12		1	1	1
13		1	1	1
14		1	1	1
15		1	1	1
16		1	-	-
17		-	-	1
18		4	4	4
19		4	4	4
20		4	4	4
21		-	1	1
22		2	-	-
23		1	1	1
24		1	1	-
25		1	1	1
26		6	6	6
27		2	2	2
28		1	1	1
29		4	4	4
30		8	4	4
31		4	4	4
32		18	18	18
33		2	2	2
34		2	2	2
35		4	4	4
36		2	2	2
37		8	8	8
38		4	4	4
39		2	2	2
40		4	4	4
41		2	2	2
42		4	4	4

N.	Ricambi (A Richiesta)/Spare Parts (Made to order)/Pièces de rechange (Sur commande) Piezas de recambio (Previa solicitud) Teile (auf Anfrage) Запасные части (по запросу)	Q.	CODICE/ CODE/ CODE/CÓDIGO CODE/КОД
3		1	700026300000
4		1	700007500000
5		1	700003000000
6		1	700004300000
7		1	700011500000
6		1	
8		1	700011400000
9		1	
6		1	
17		1	
10		1	
11		1	700007300000
12		1	700007400000
14		1	700020500000
15		1	
18		1	700020600000
19		1	
20		1	
22		1	700007700000
23		1	700025000000
24		1	700004100000
25		1	700001100000
26		3	700003600000
28		1	700017500000
29		4	700020700000
30		8	
31		4	
32		18	
33		2	700020800000
34		2	
35		4	
36		2	
37		8	
38		4	
39		2	
40		4	
41		2	
42		4	

NAOS / SEAGULL



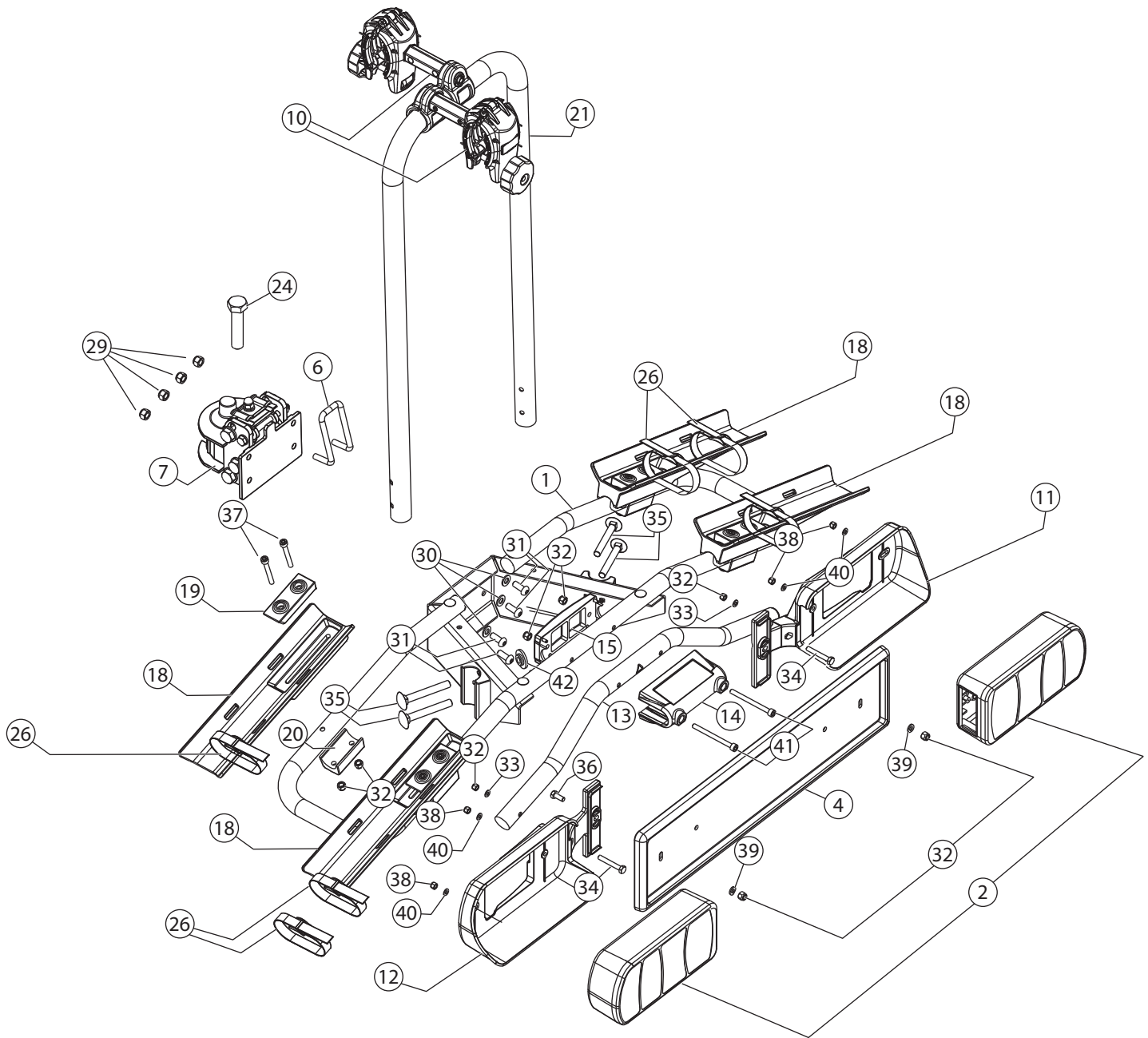
22  MT 0,6

23  5mm

25  MT 2,5

28 

NAOS TILTING / SEAGULL TILTING

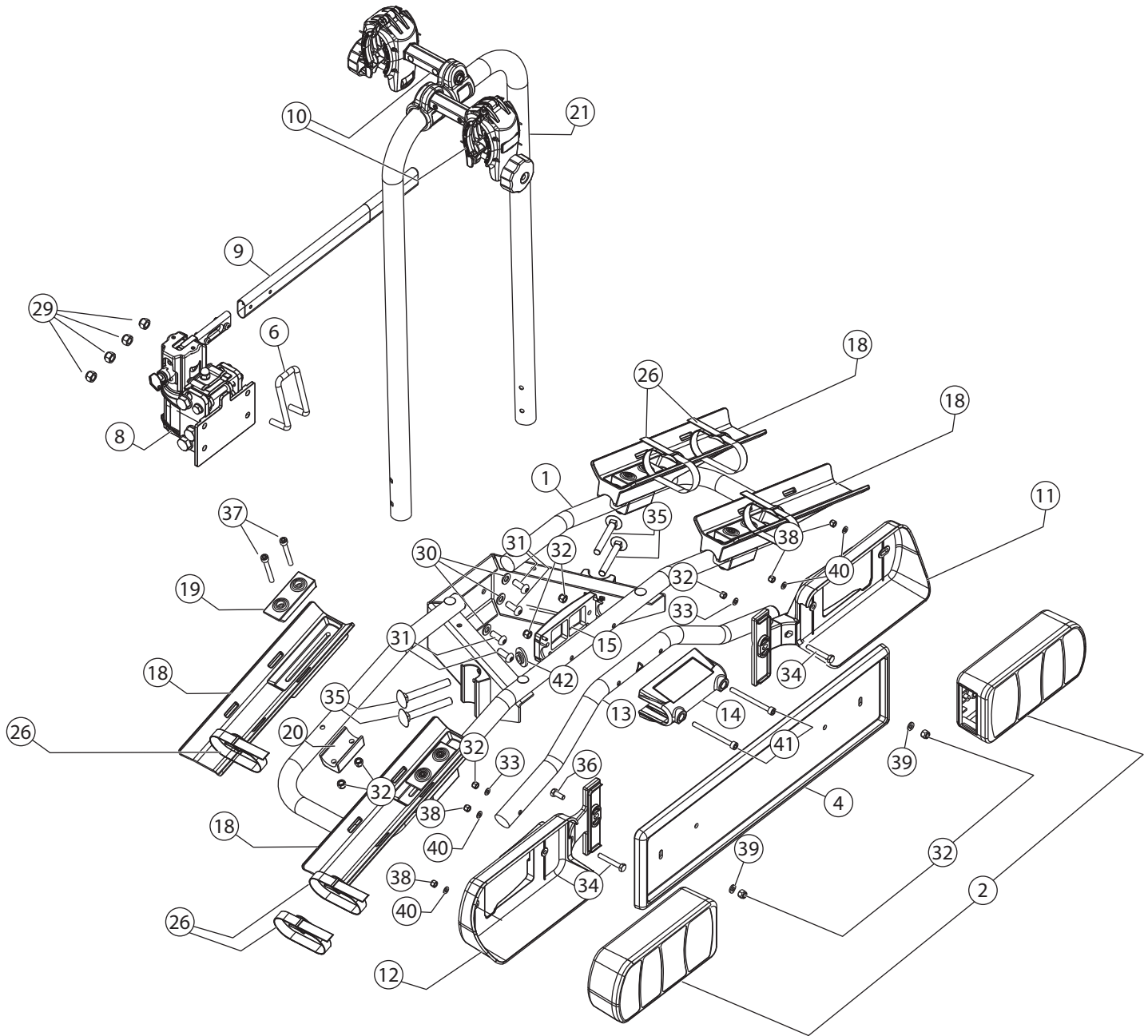


23  5mm

25  MT 2,5

28 

NAOS RAPID / SEAGULL RAPID



17  4mm

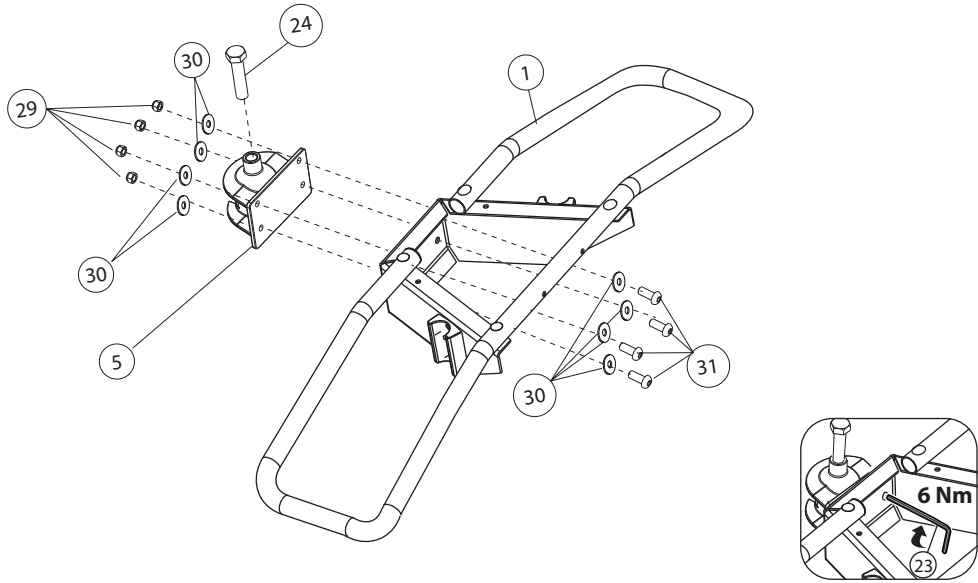
23  5mm

25  MT 2,5

28 

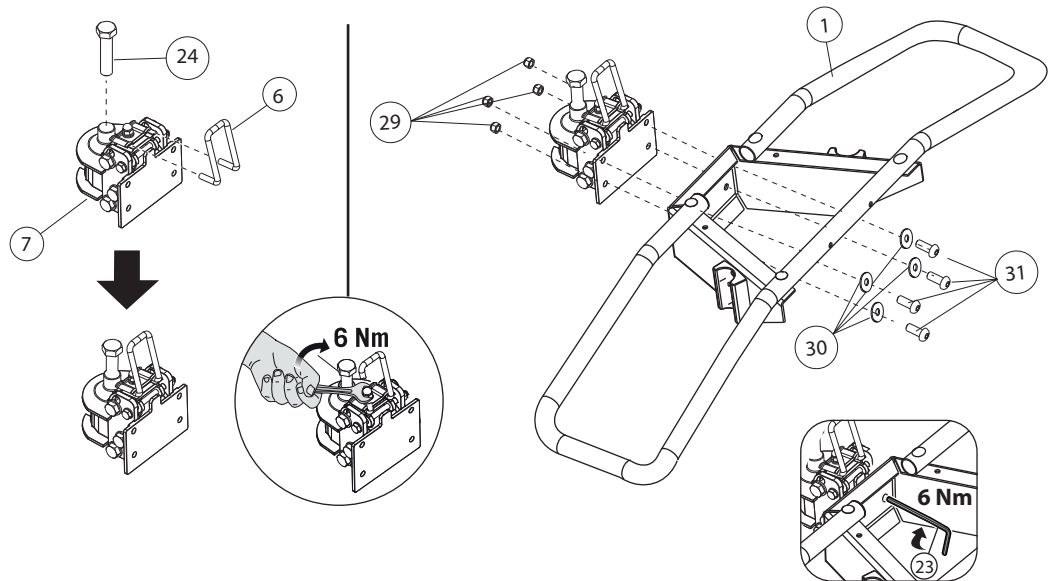
NAOS / SEAGULL

N		Q
1		1
5		1
23	5mm	1
24	M16x70	1
29	M8	4
30	8x17	8
31	M8x20	4



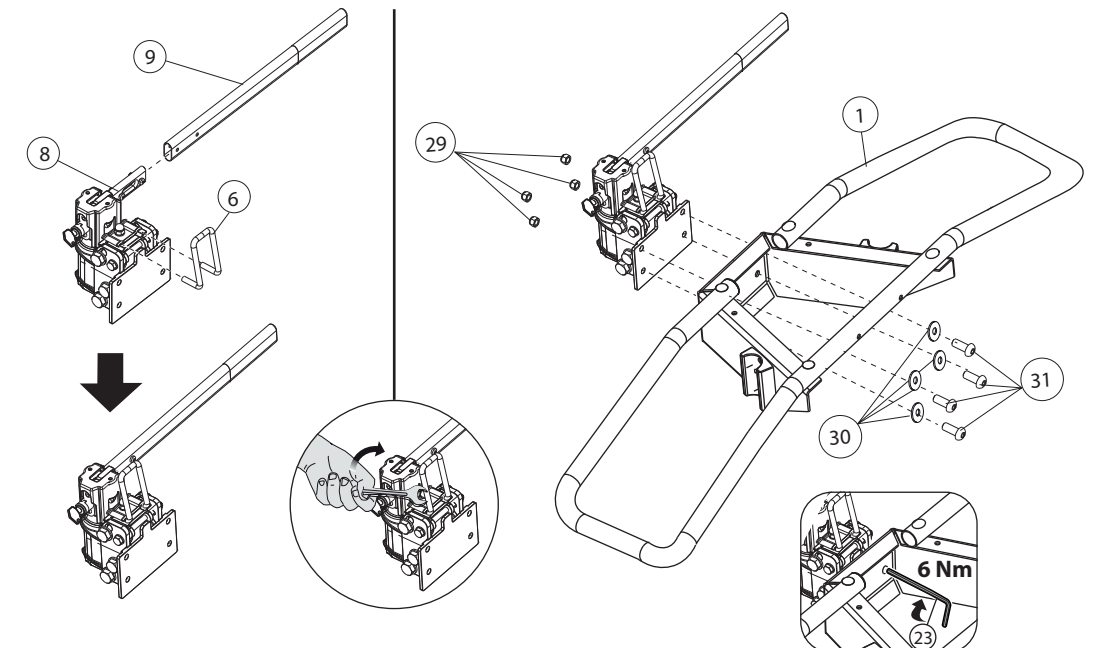
NAOS TILTING / SEAGULL TILTING

N		Q
1		1
6		1
7		1
23	5mm	1
24	M16x70	1
29	M8	4
30	8x17	4
31	M8x20	4


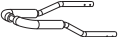





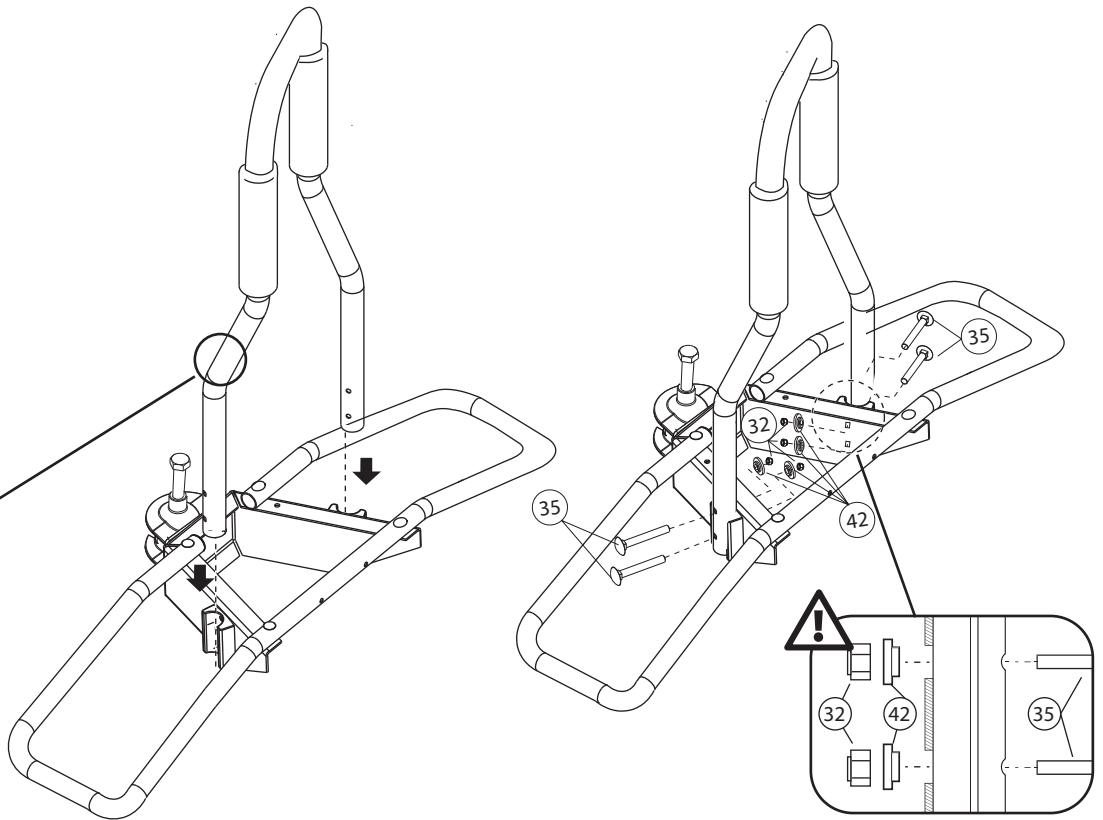
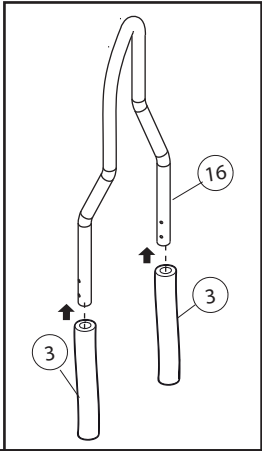
NAOS RAPID / SEAGULL RAPID

N		Q
1		1
6		1
8		1
9		1
23	5mm	1
29	M8	4
30	8x17	4
31	M8x20	4







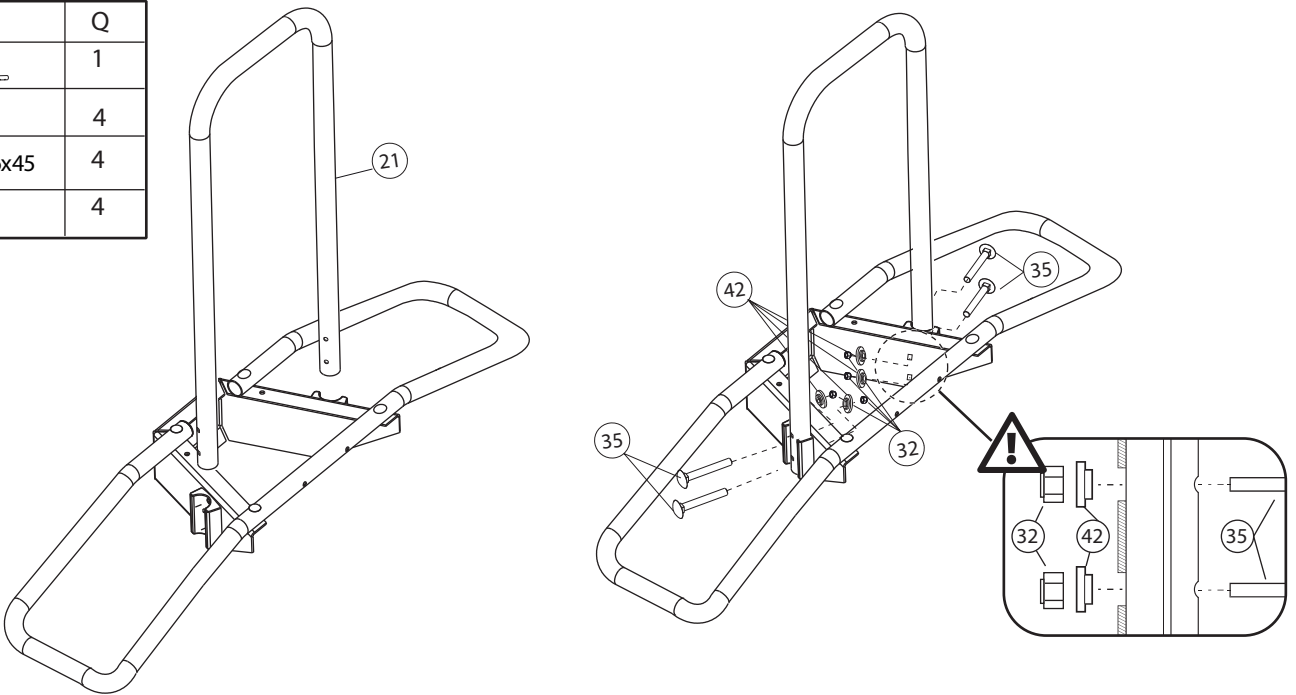
NAOS / SEAGULL




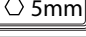


N		Q
3		2
16		1
32	 M6	4
35	 M6x45	4
42		4

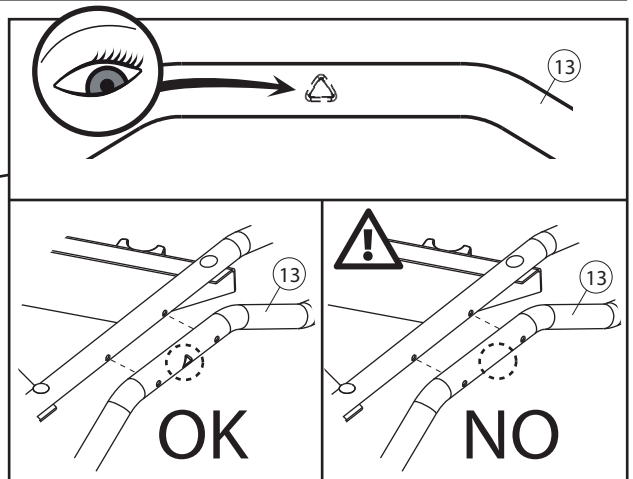
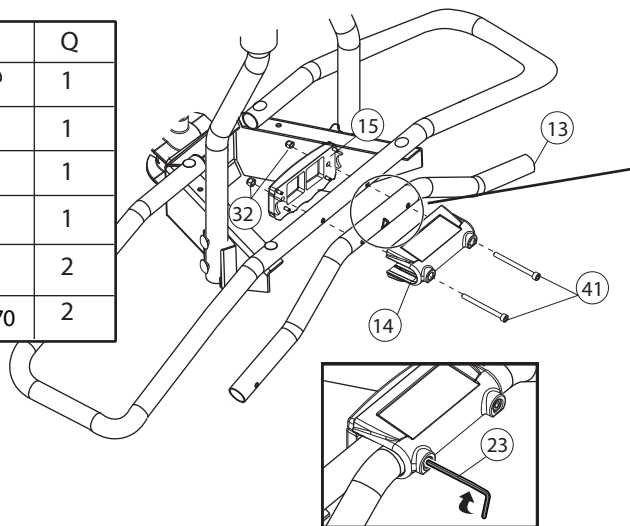


NAOS TILTING / SEAGULL TILTING / NAOS RAPID / SEAGULL RAPID

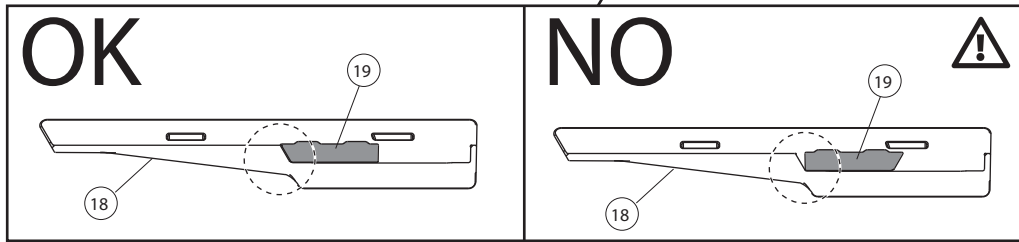
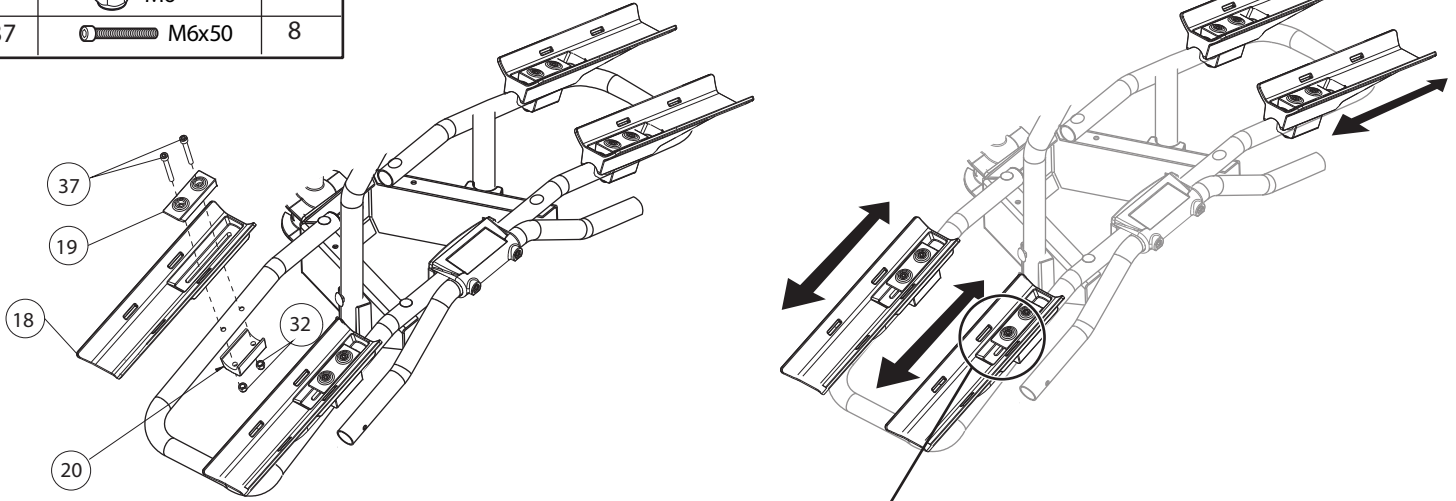
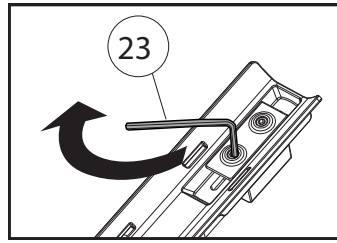
N		Q
21		1
32	 M6	4
35	 M6x45	4
42		4



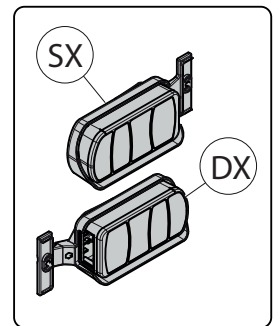
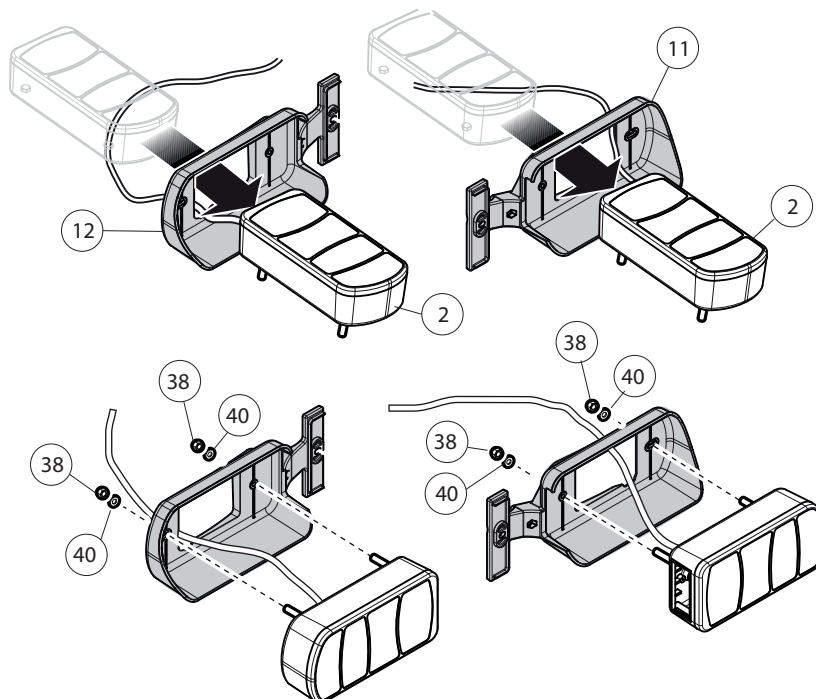
N		Q
13		1
14		1
15		1
23	 5mm	1
32	 M6	2
41	 M6x70	2









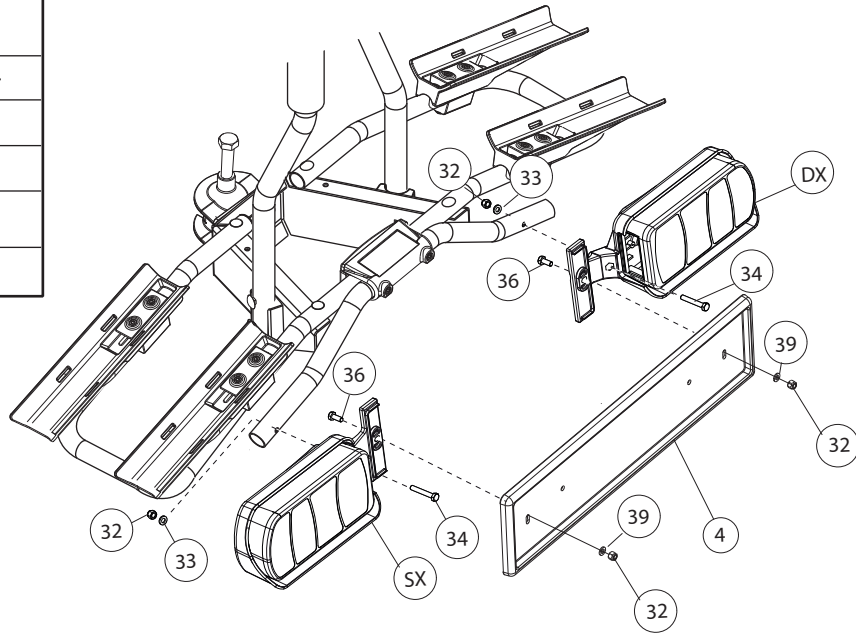
N		Q
18		4
19		4
20		4
23		1
32		8
37		8




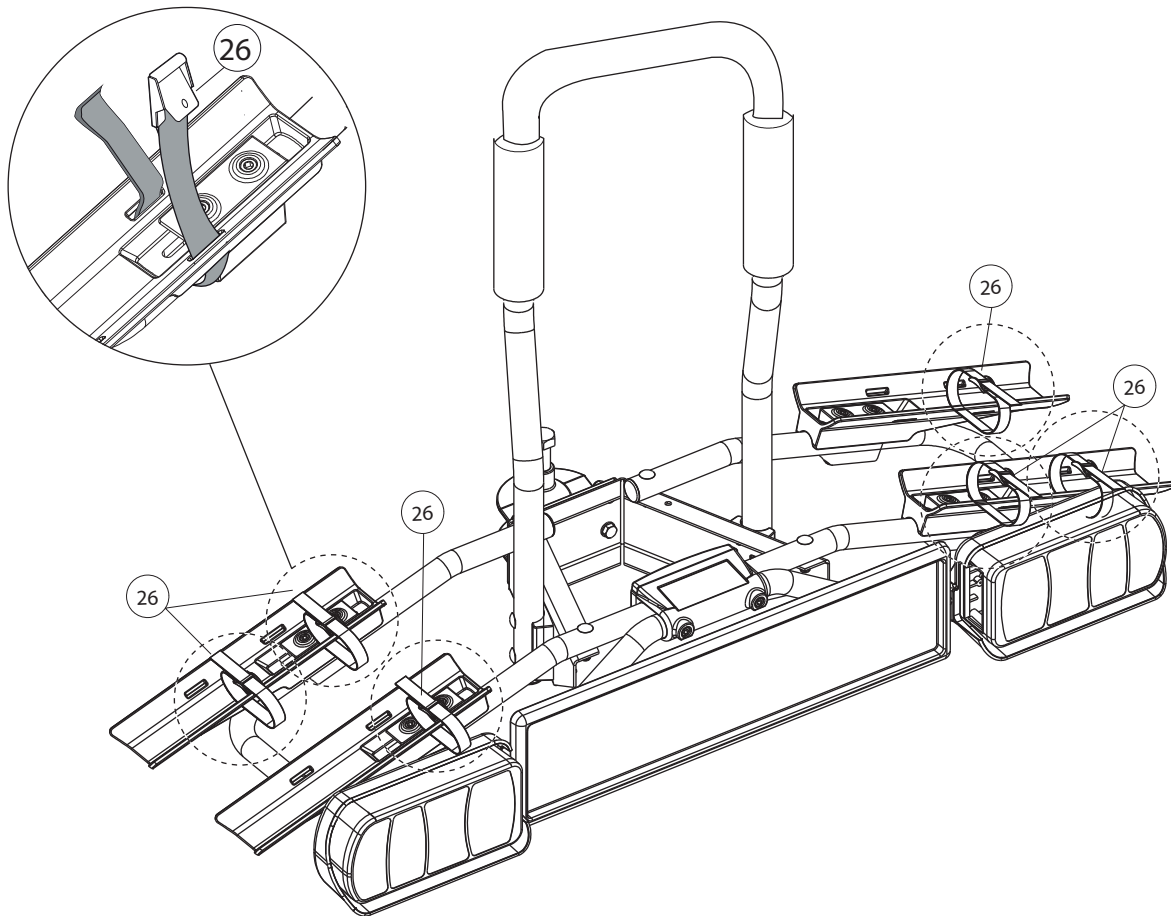
N		Q
2		1
11		1
12		1
38		4
40		4



N		Q
4		1
32	 M6	4
34	 M6X40	2
36	 M6X14	2
39	 6x18	2
33	 6x12	2

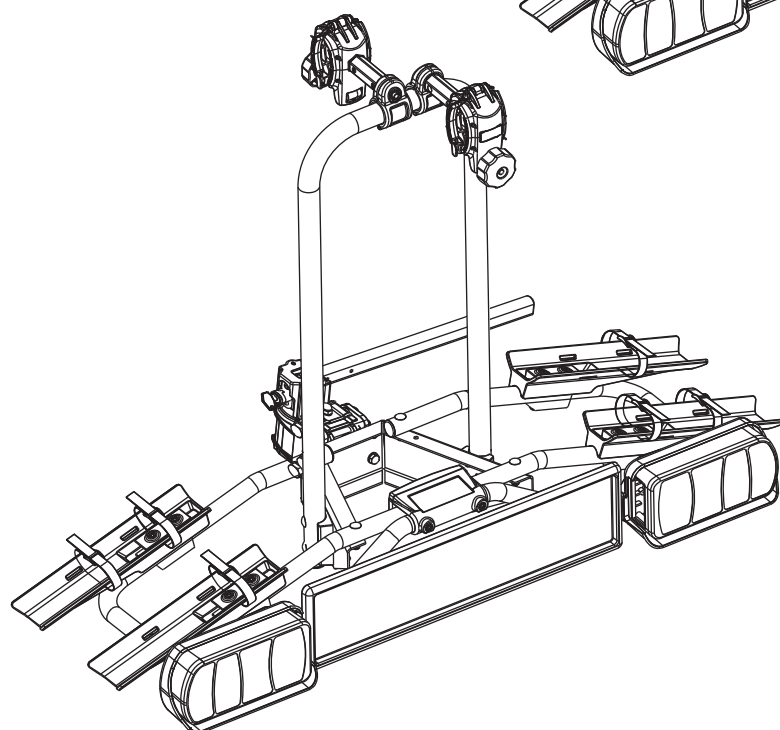
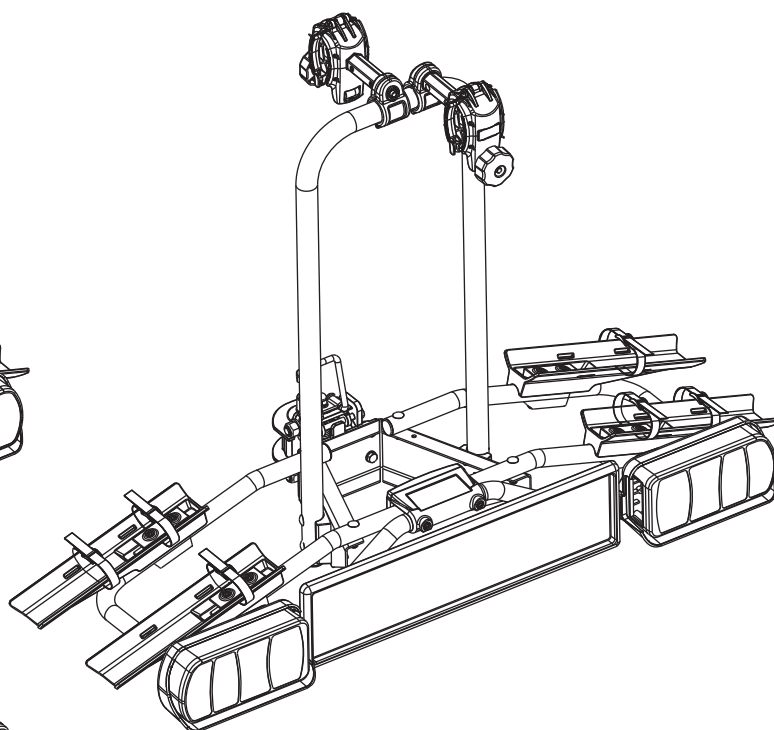
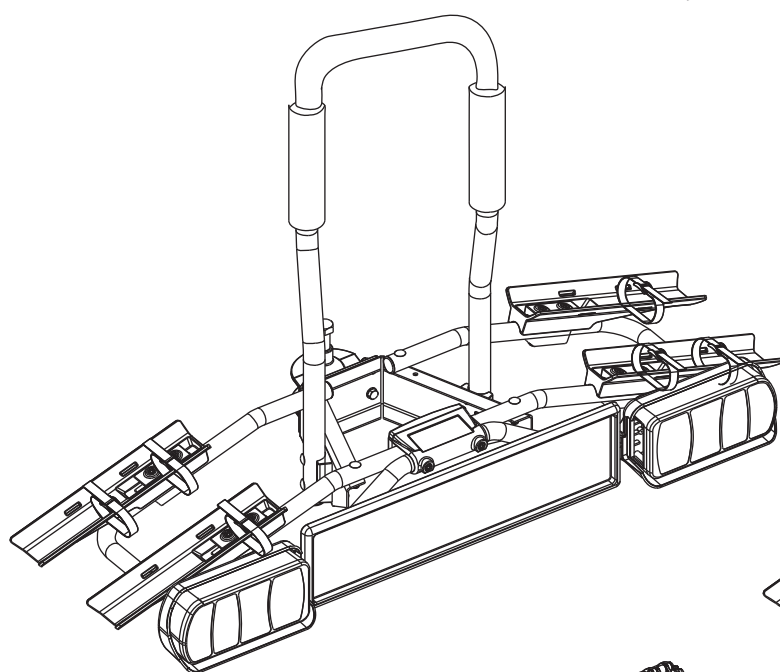
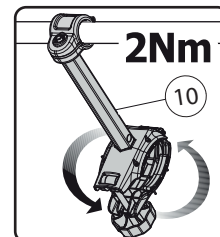
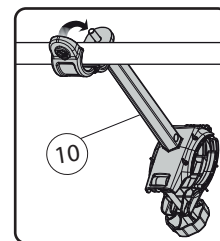
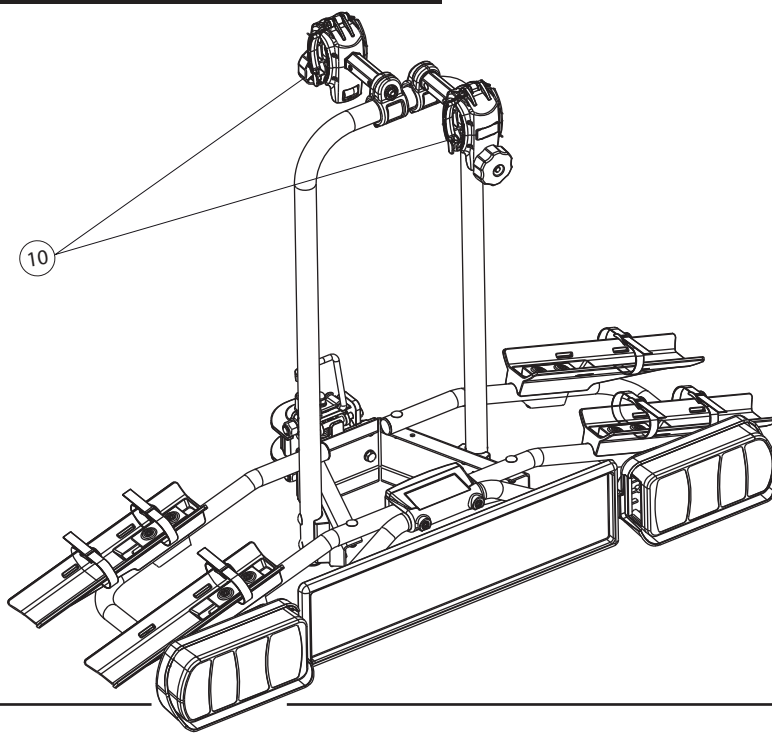


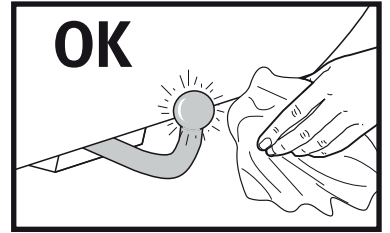
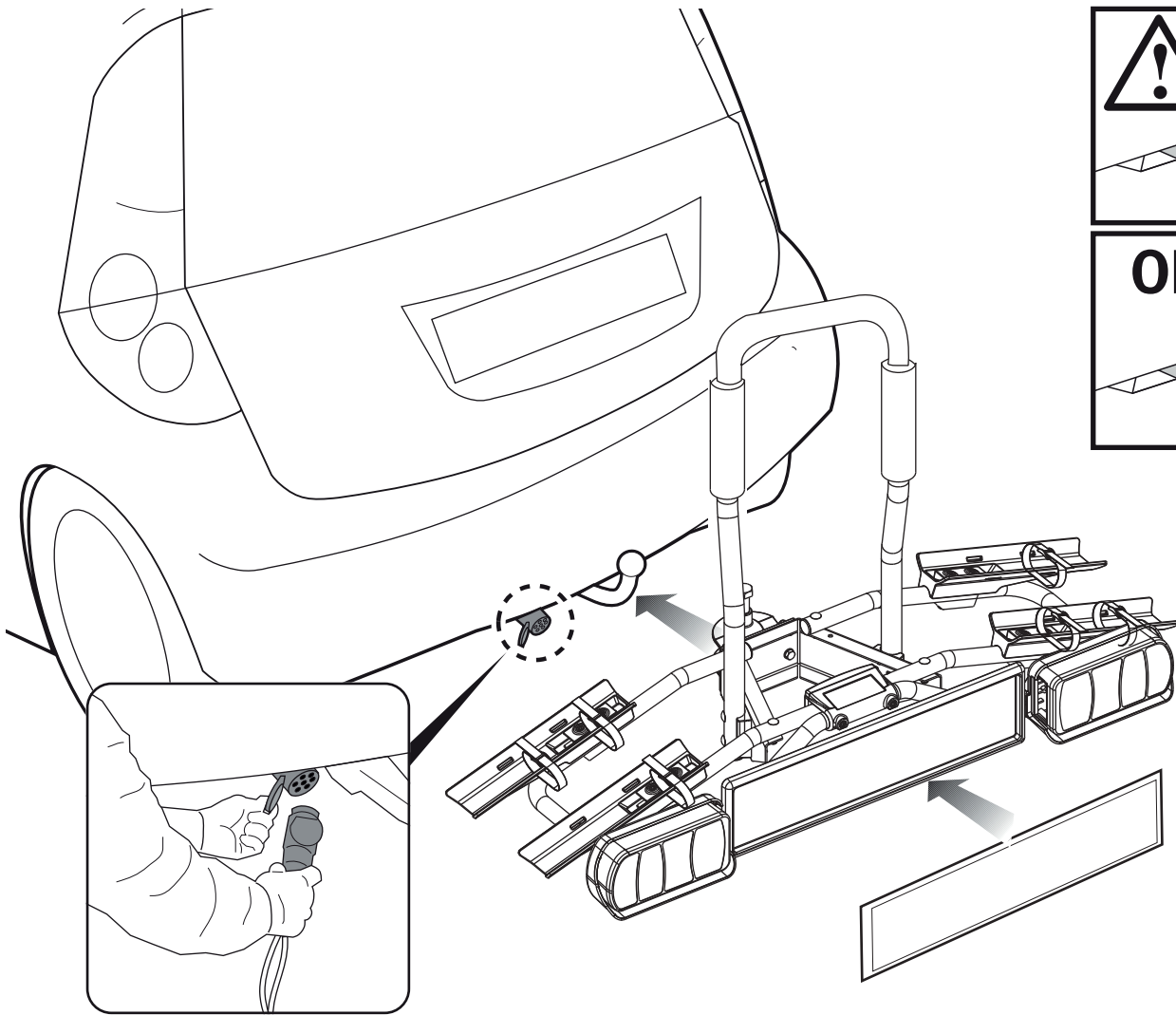
N		Q
26		6



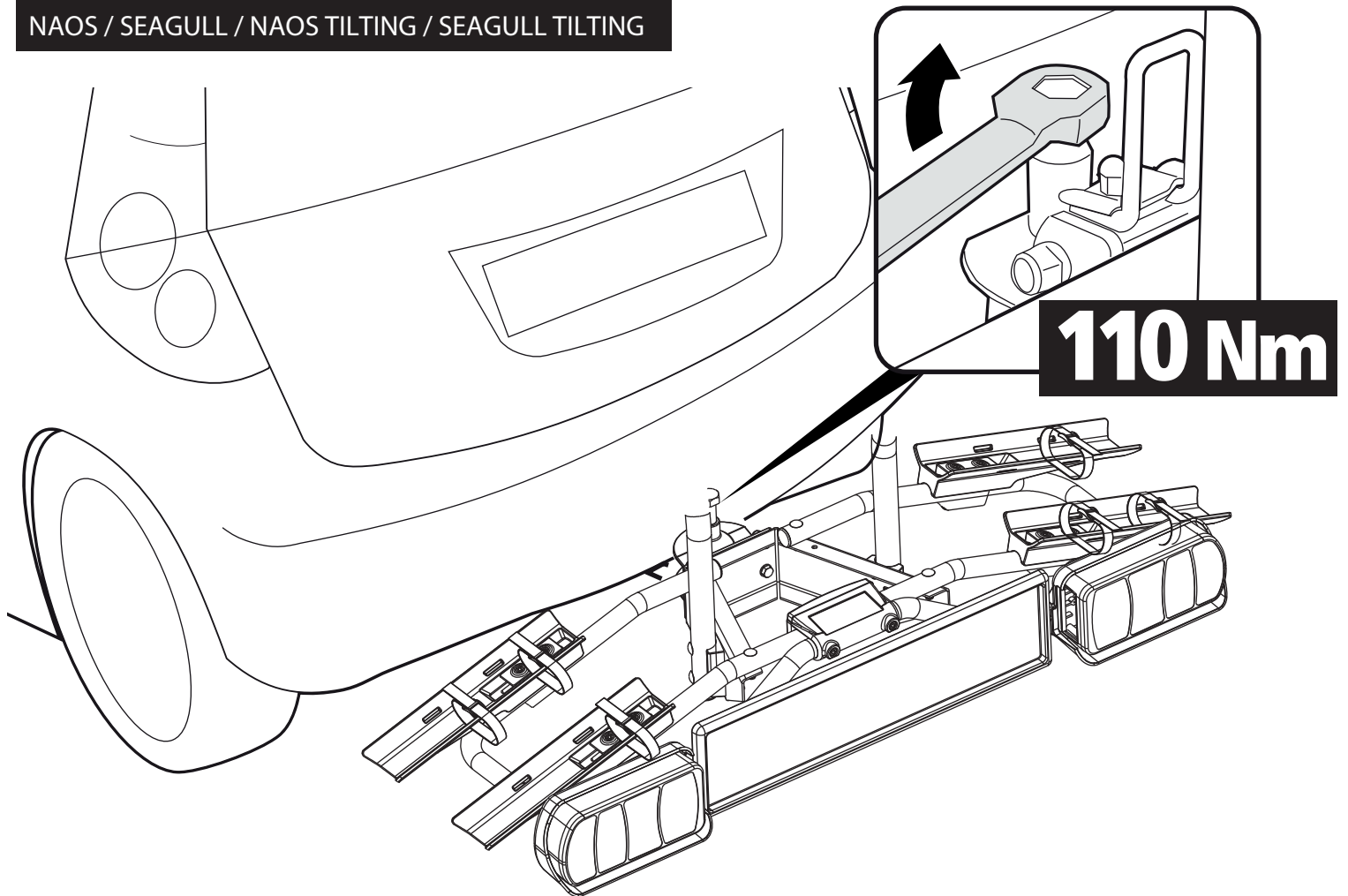
NAOS TILTING / SEAGULL TILTING / NAOS RAPID / SEAGULL RAPID

N		Q
10		2



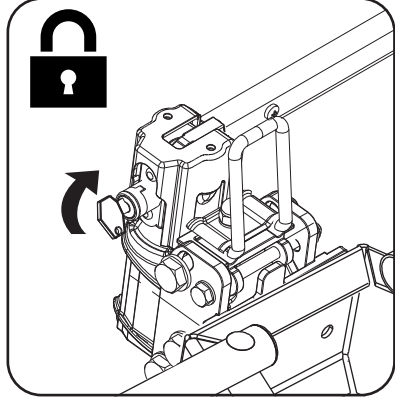
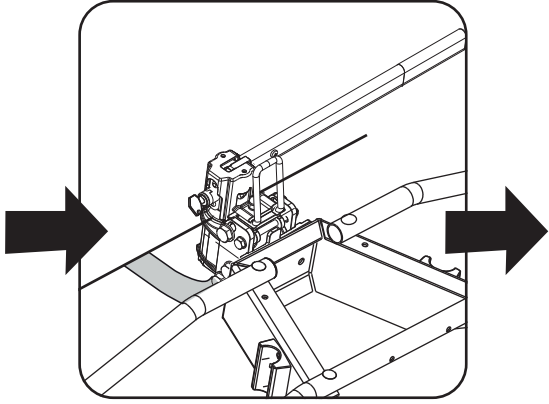
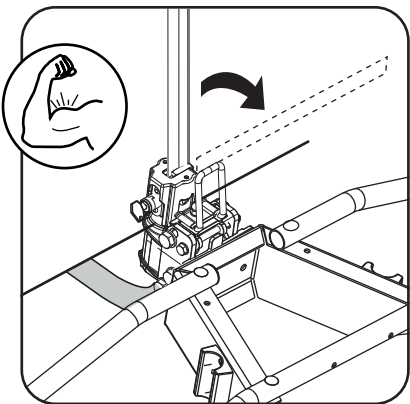
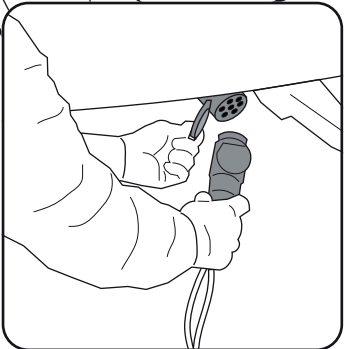
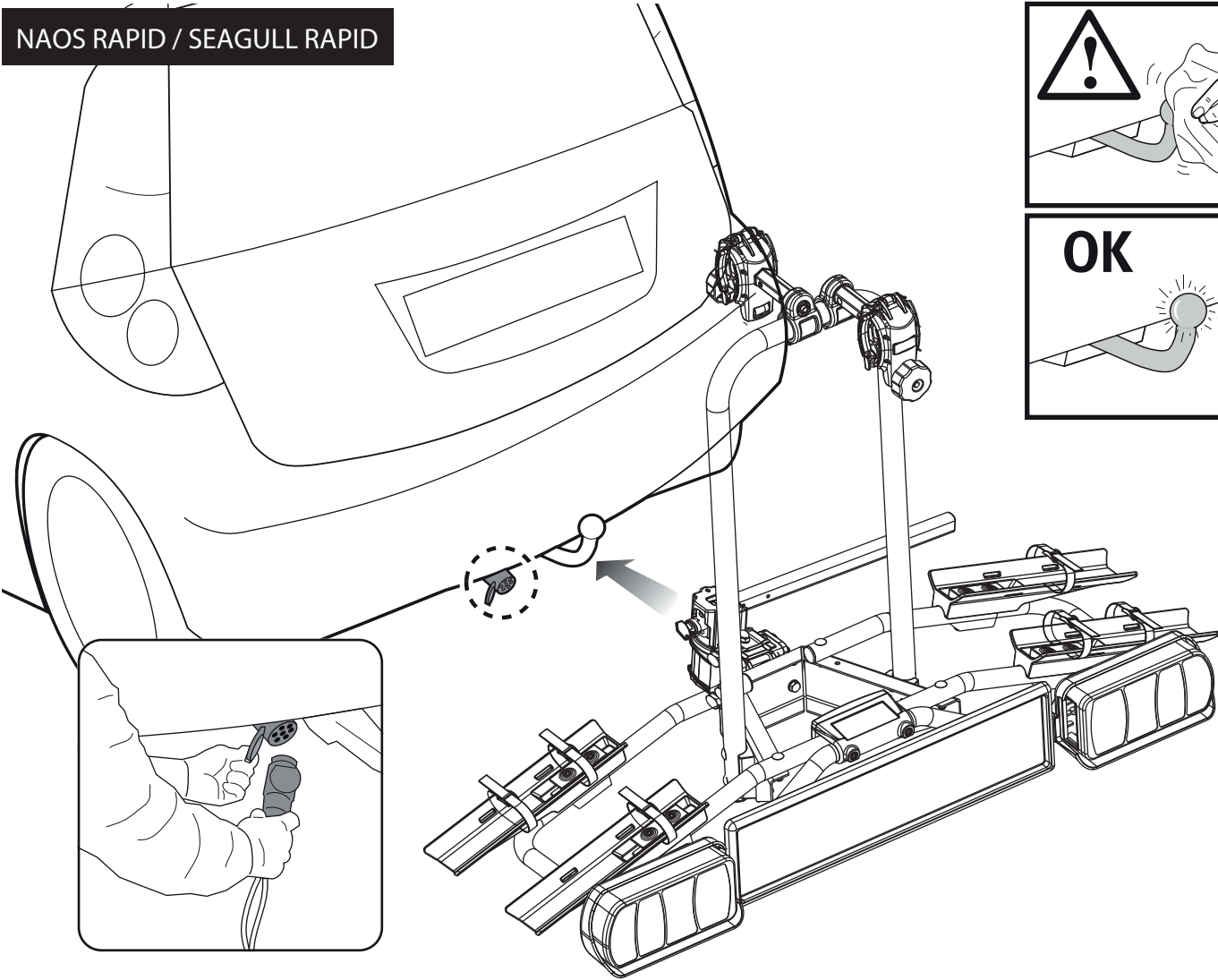


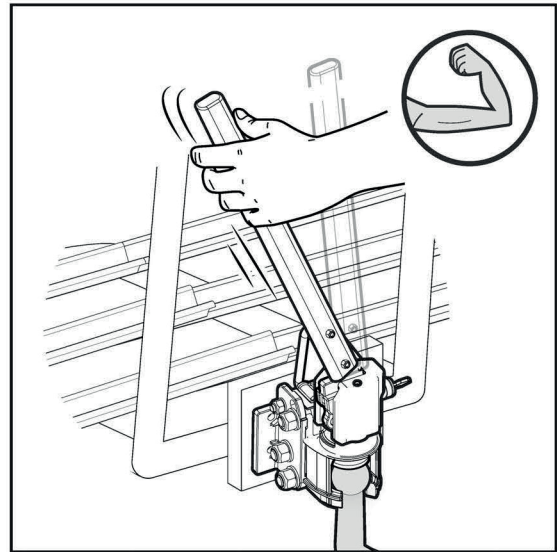
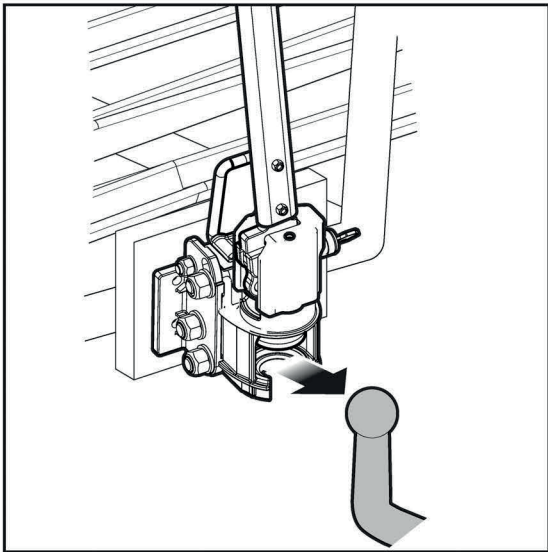
NAOS / SEAGULL / NAOS TILTING / SEAGULL TILTING




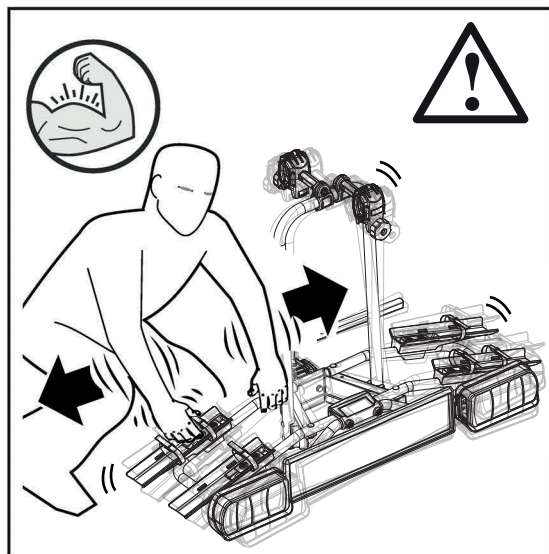
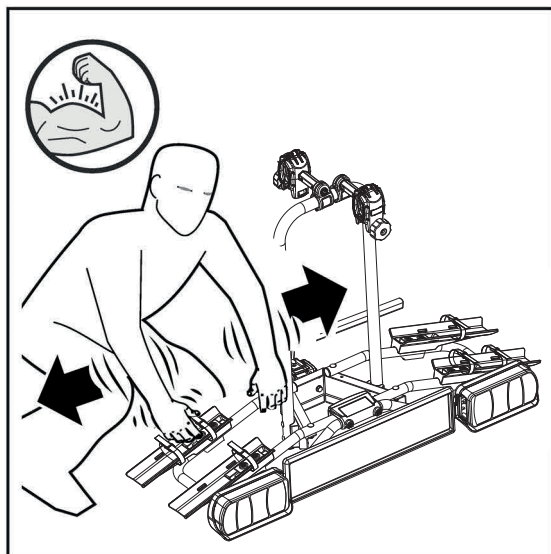
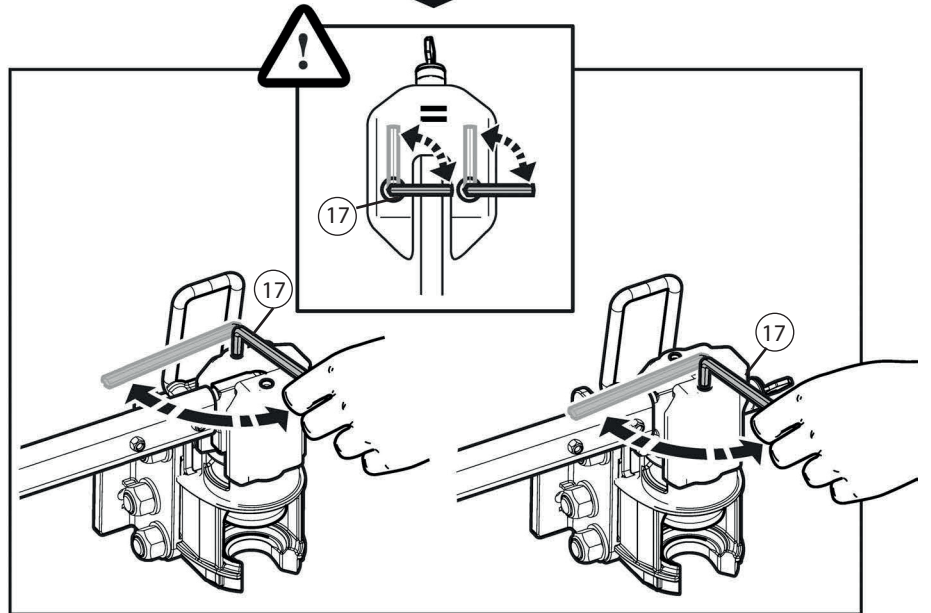
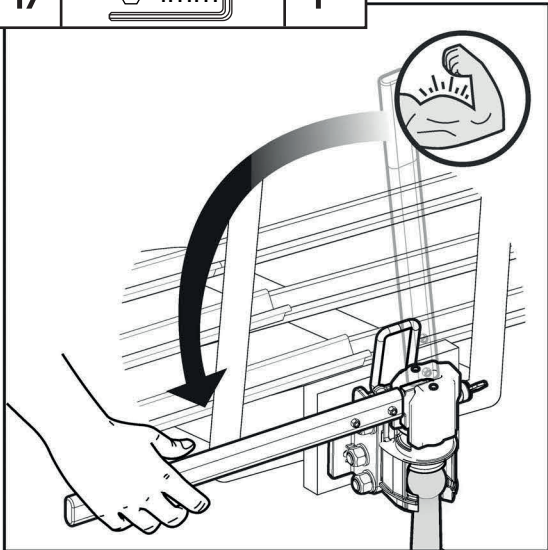
110 Nm

NAOS RAPID / SEAGULL RAPID



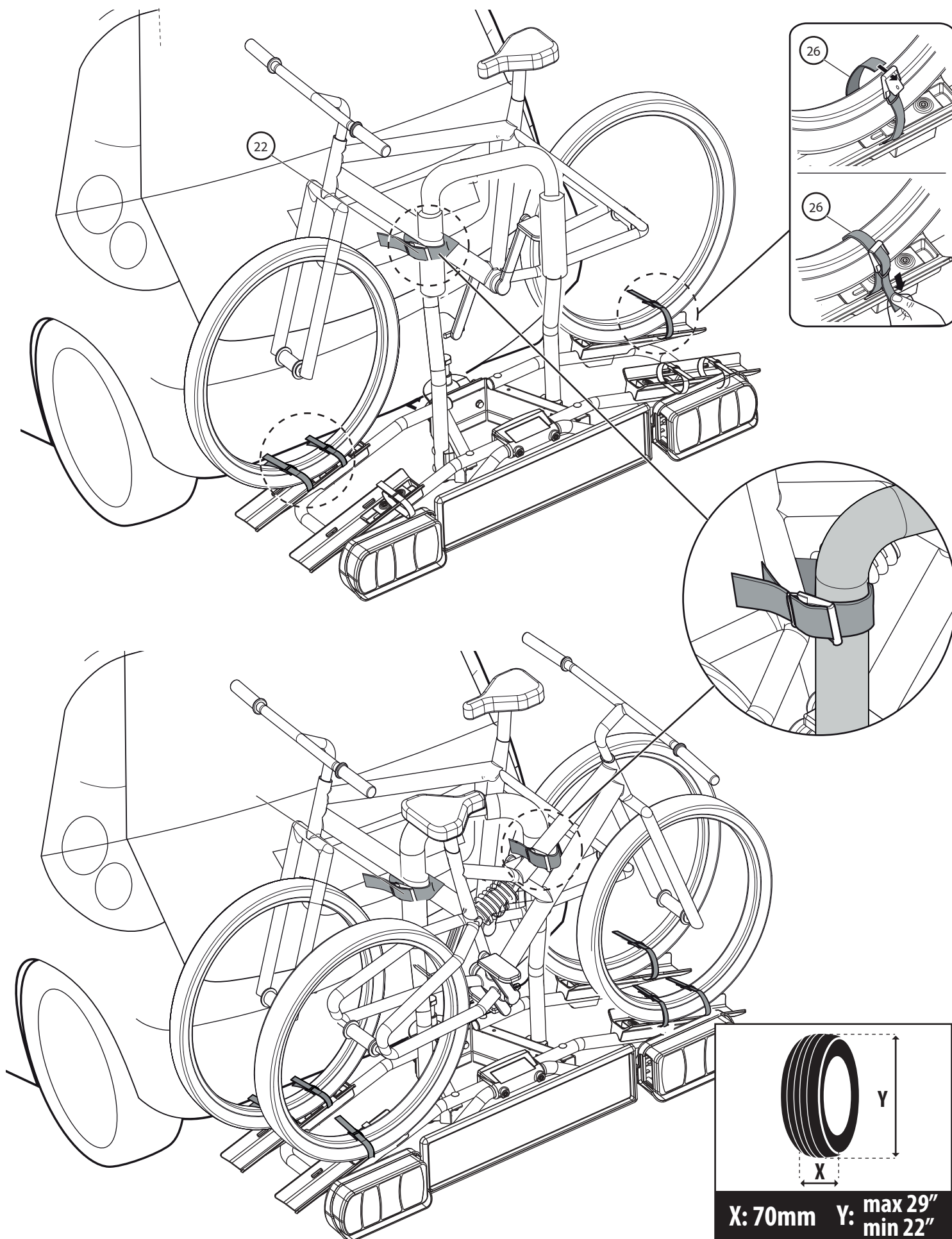


N		Q
17	 4mm	1




NAOS / SEAGULL

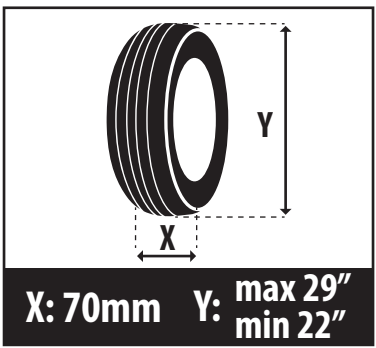
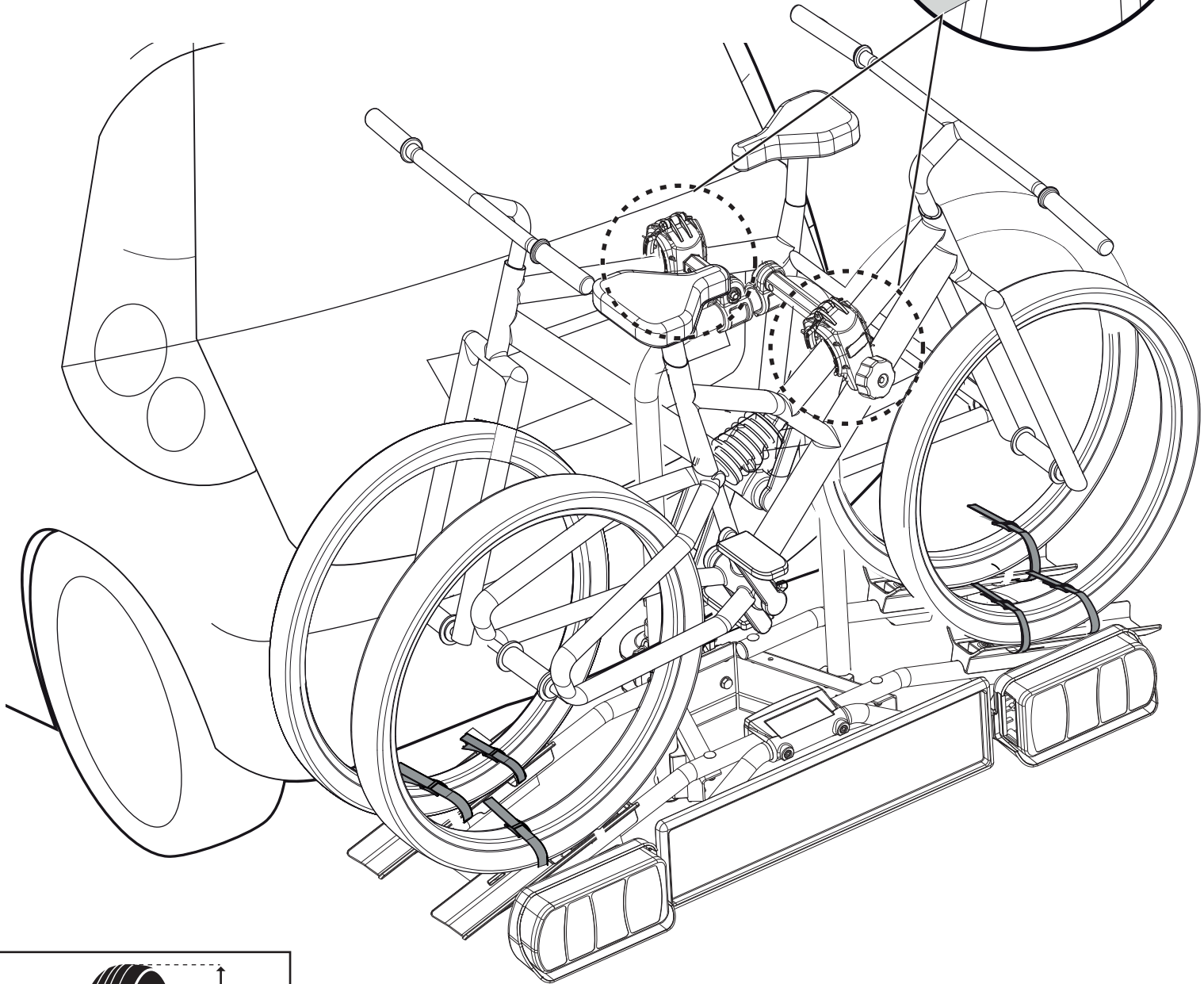
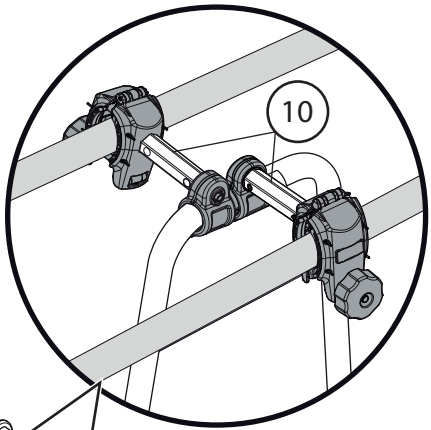
N		Q
22	 MT 0,6	2




X: 70mm Y: max 29"
min 22"

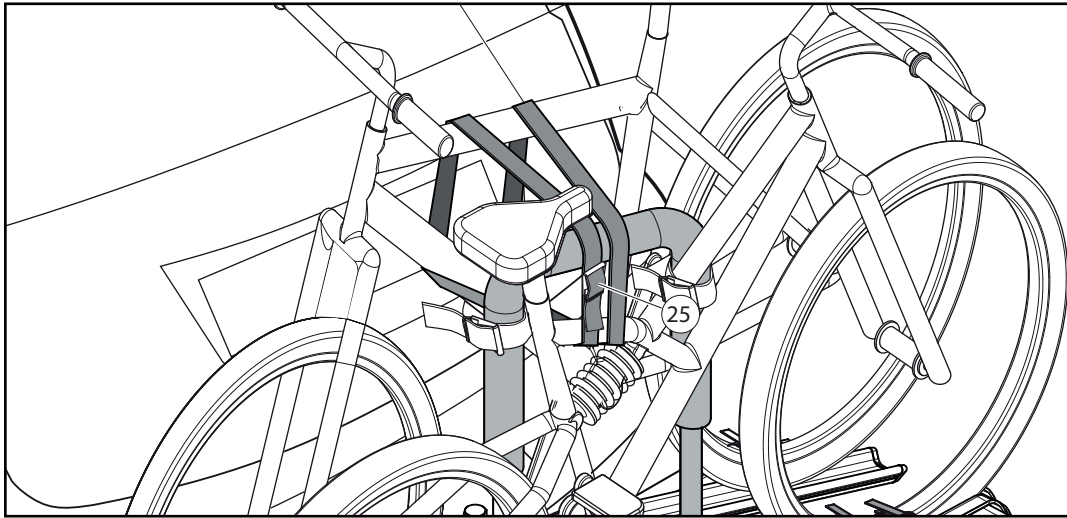
NAOS TILTING / SEAGULL TILTING / NAOS RAPID / SEAGULL RAPID

N		Q
10		2

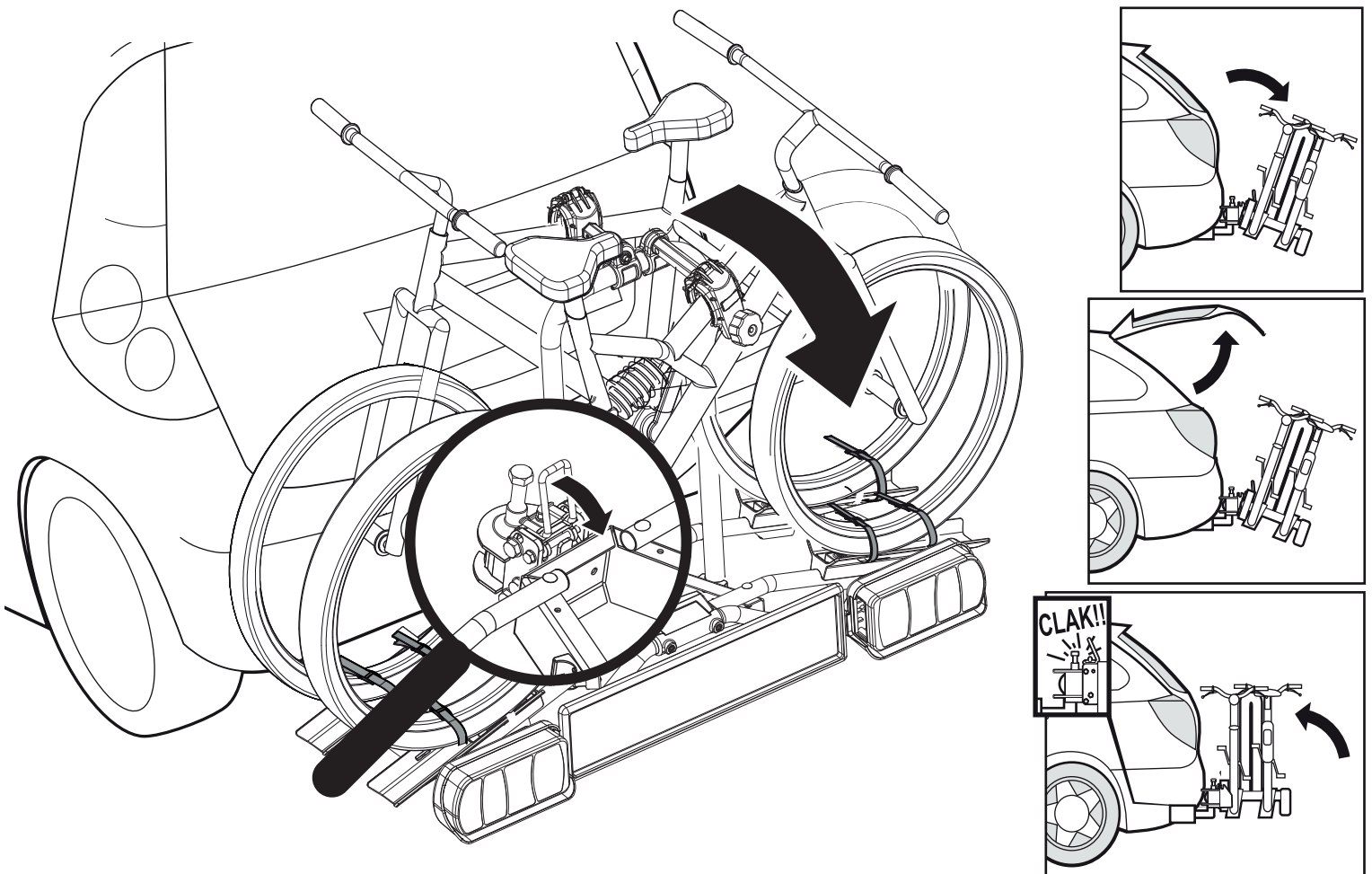


NAOS / SEAGULL / NAOS TILTING / SEAGULL TILTING / NAOS RAPID / SEAGULL RAPID

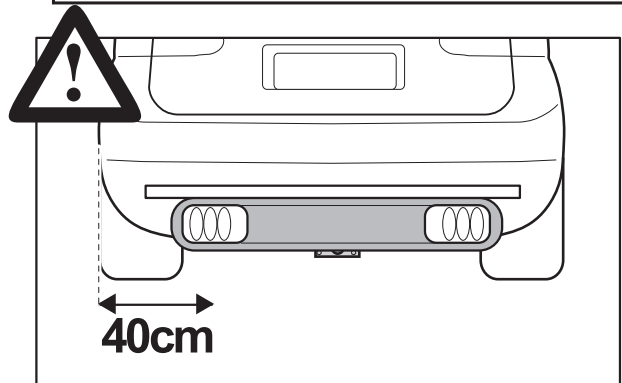
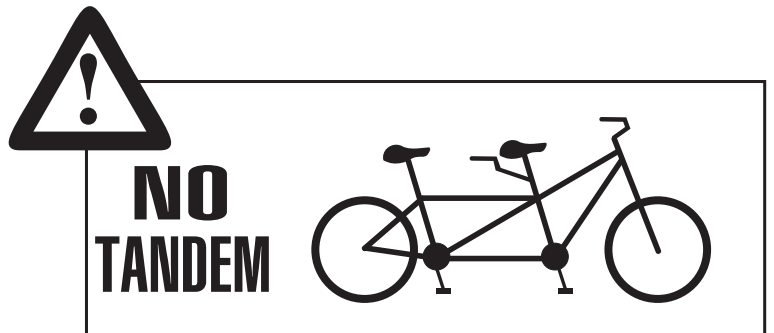
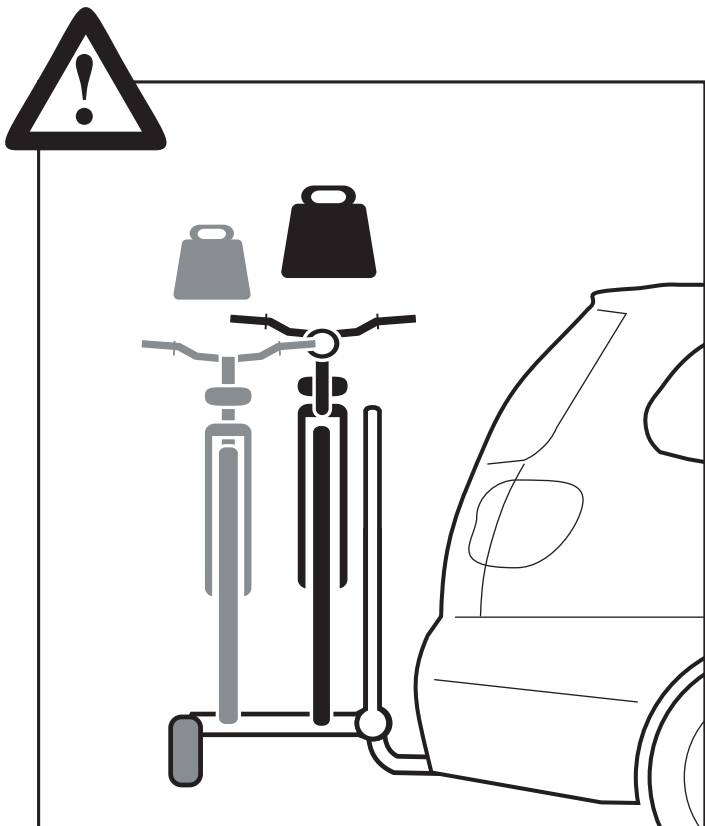
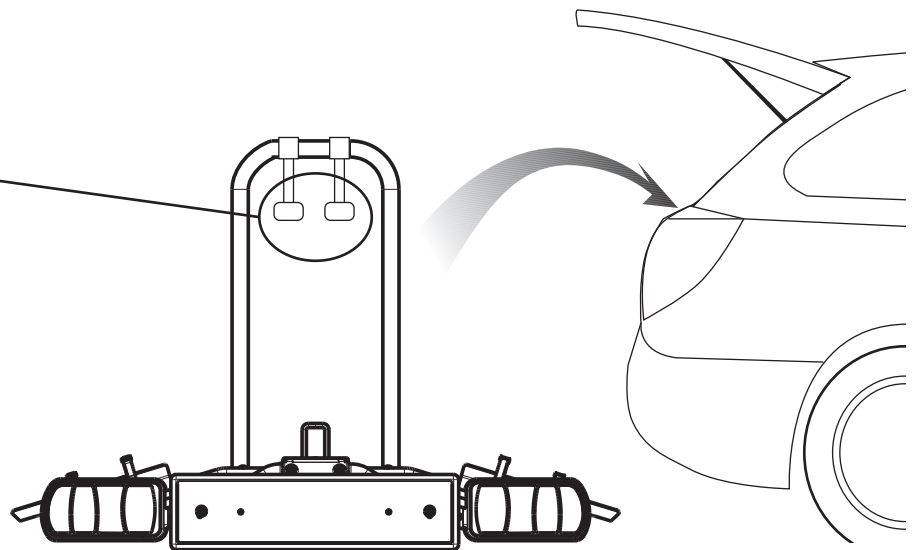
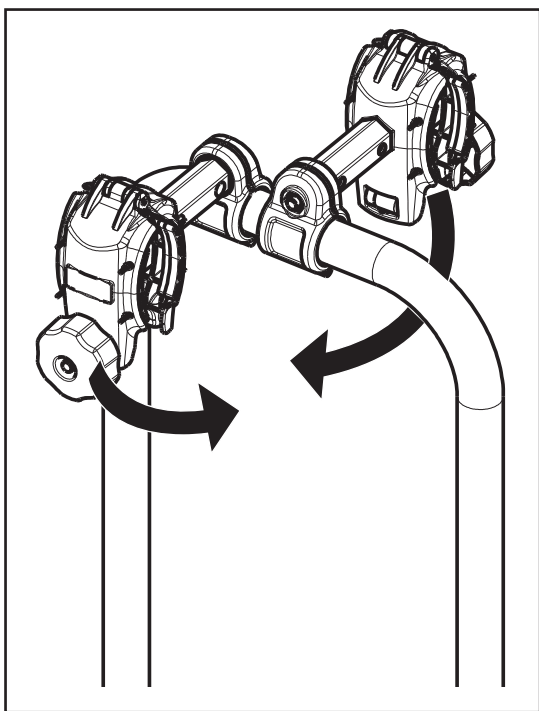
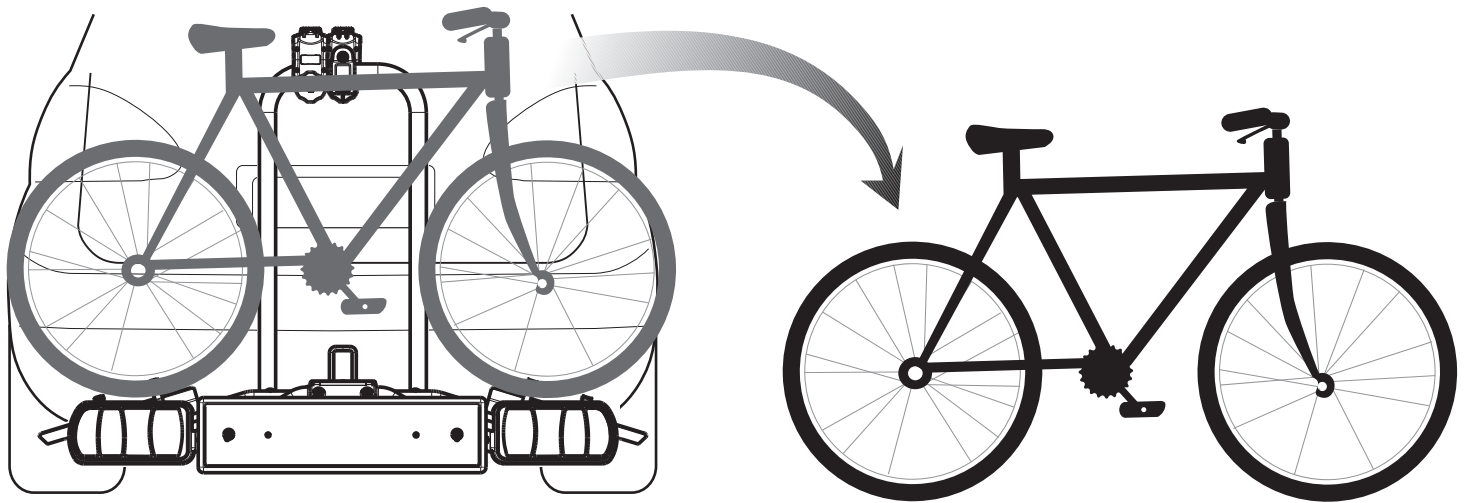
N		Q
25	 MT 2,5	1

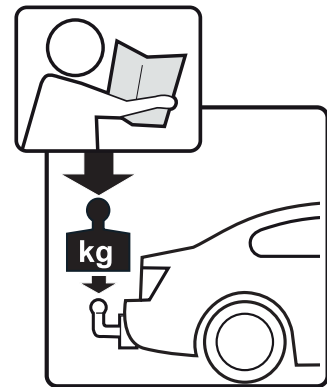
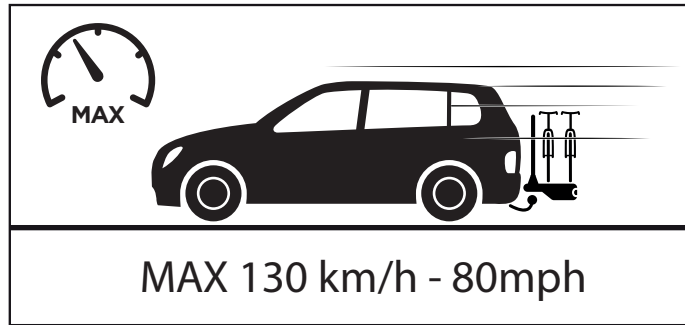
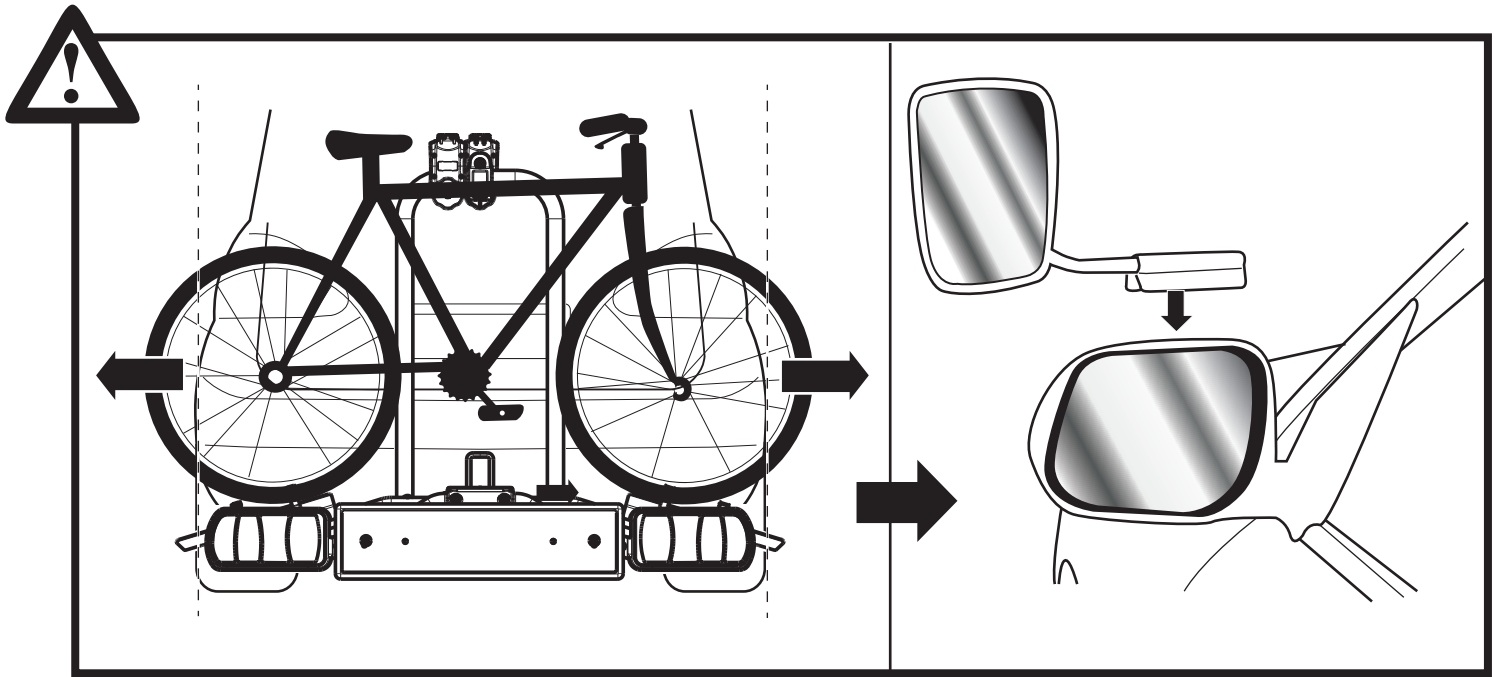










NAOS TILTING / SEAGULL TILTING / NAOS RAPID / SEAGULL RAPID



NAOS TILTING / SEAGULL TILTING / NAOS RAPID / SEAGULL RAPID





 MAX 	 NAOS SEAGULL	 MAX 15 kg	2x	 NAOS TILTING SEAGULL TILTING	 MAX 15 kg	2x	 NAOS RAPID SEAGULL RAPID	 MAX 15 kg	2x
		50kg >50kg	9,9kg		MAX 30 kg MAX 30 kg	12,3 kg		MAX 30 kg MAX 30 kg	13,7kg

Cod. istr.	Data	Creato da	Approvata da
500010700001	09/02/2017	NP	EL

F.lli Menabò S.r.l.
Via 8 Marzo, 3
I - 42025 Cavriago (RE)
Tel. +39-(0)522/942840
Fax. +39-(0)522/942948
e-mail: info@flli-menabo.it
www.flli-menabo.it
www.m-way.it