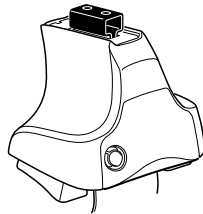


Kit 1548

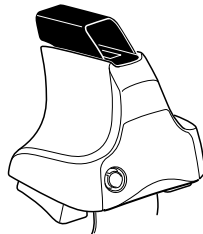
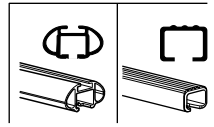
ACURA MDX, 5-dr SUV, 01-06*

HONDA MDX, 5-dr SUV, 03-06*

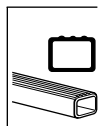
* w/o factory rack

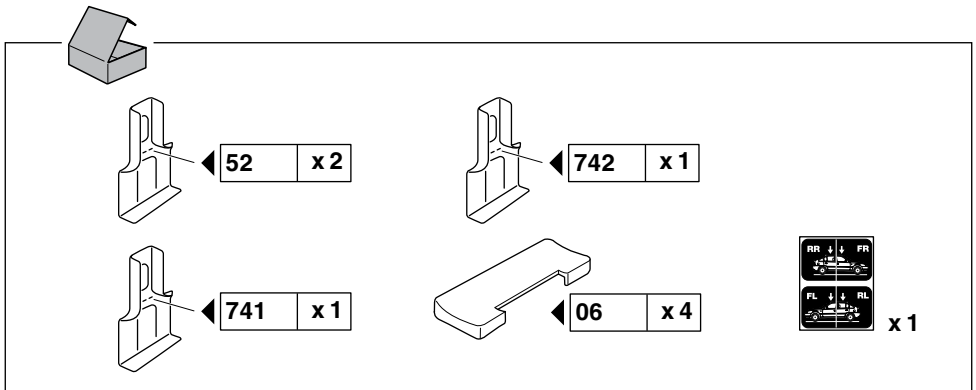
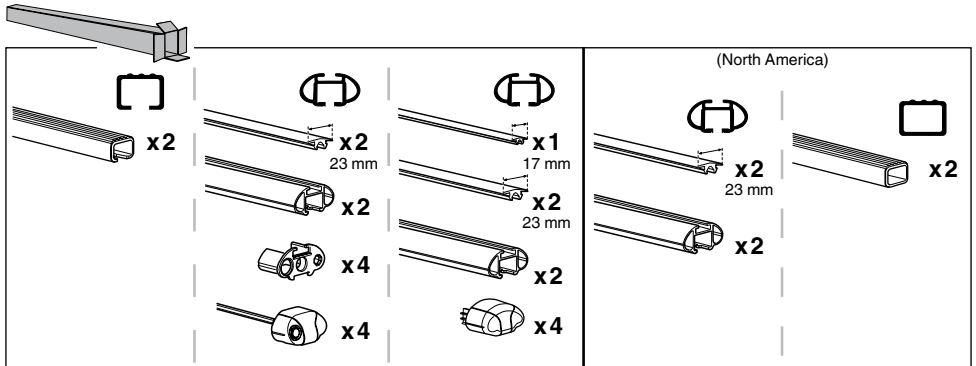
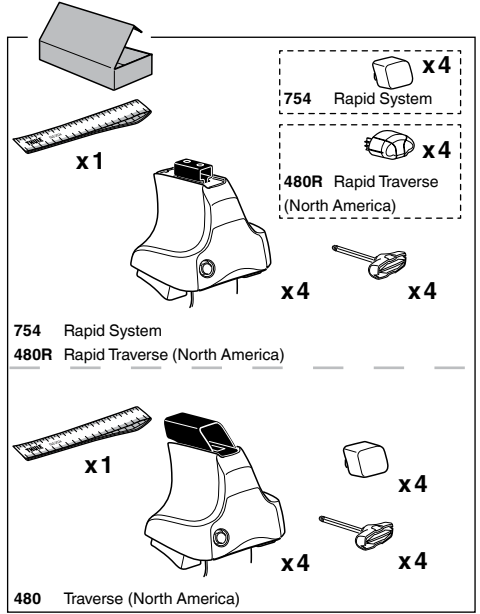
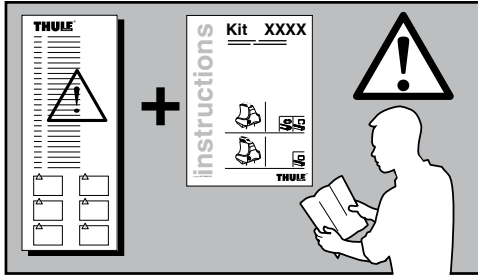
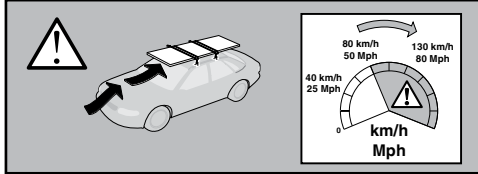
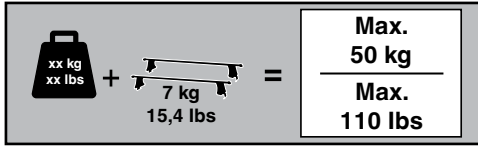


754 Rapid System
480R Rapid Traverse (North America)



480 Traverse (North America)





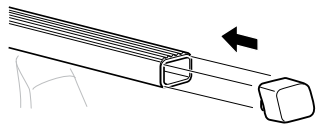
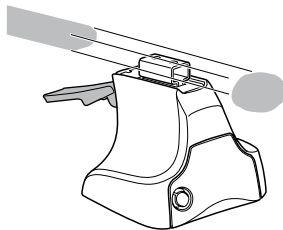
1



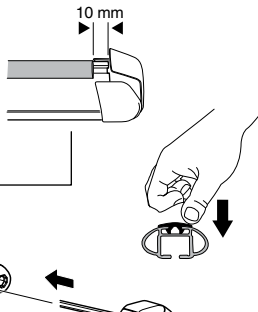
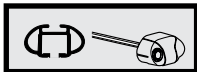
2



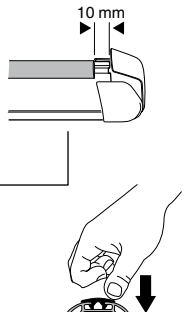
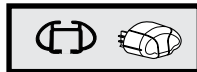
754 Rapid System
480R Rapid Traverse
(North America)



x4



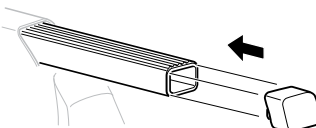
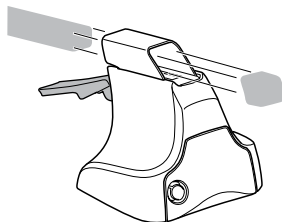
x4



x4



480 Traverse
(North America)

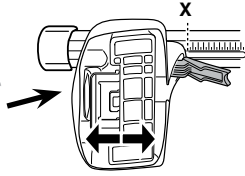


x4

3

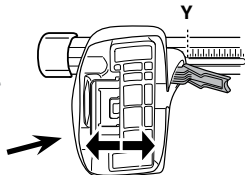


754 Rapid System



X

	X
ACURA MDX, 5-dr SUV, 01-06	39,5
HONDA MDX, 5-dr SUV, 03-06	39,5



Y

	Y
ACURA MDX, 5-dr SUV, 01-06	44
HONDA MDX, 5-dr SUV, 03-06	44

3

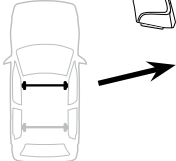


480R Rapid Traverse

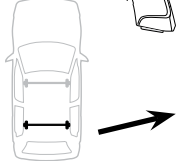


480 Traverse

(North America)

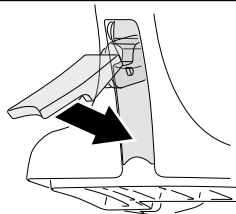


	X inch	X mm
ACURA MDX, 5-dr SUV, 01-06	43 1/2"	1105 mm
HONDA MDX, 5-dr SUV, 03-06	41 1/4"	1046 mm



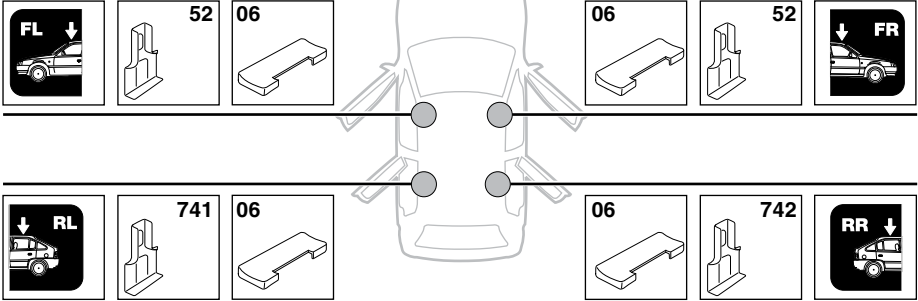
	Y inch	Y mm
ACURA MDX, 5-dr SUV, 01-06	43"	1090 mm
HONDA MDX, 5-dr SUV, 03-06	43"	1091 mm

4

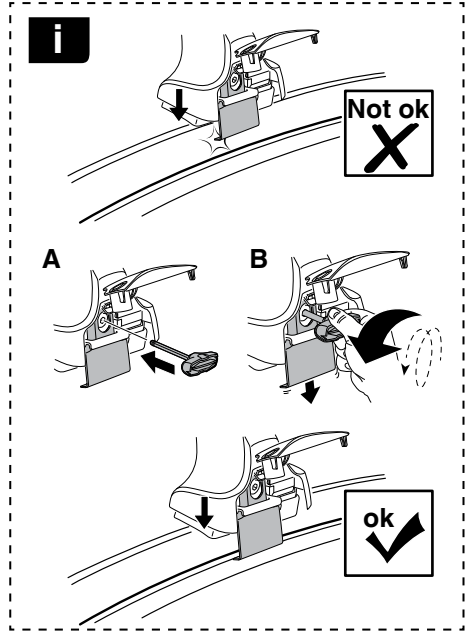
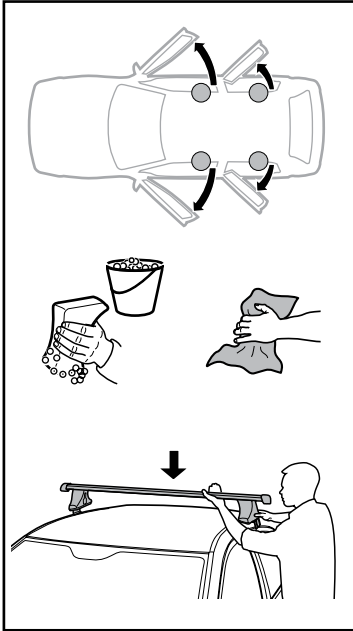


5

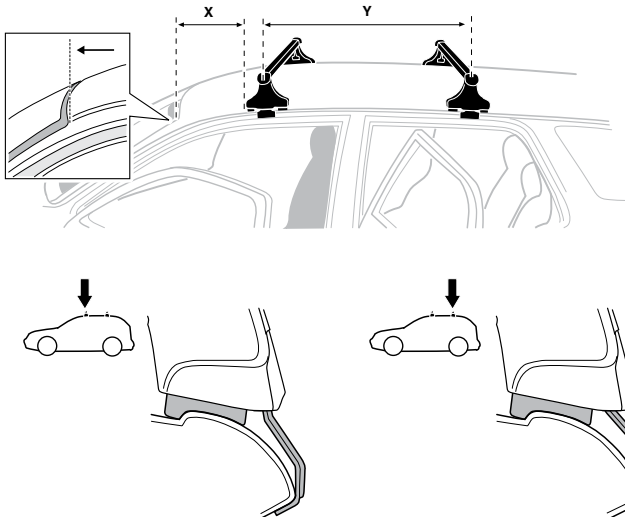
ACURA MDX, 5-dr SUV, 01-06
HONDA MDX, 5-dr SUV, 03-06



6



	X mm	Y mm	X inch	Y inch
ACURA MDX, 5-dr SUV, 01-06	330 mm	610 mm	13"	24"
HONDA MDX, 5-dr SUV, 03-06	280 mm	700 mm	11"	27 1/2"



7



GB/US	Tighten alternately
D	Die Schrauben abwechselnd anziehen
F	Serrer alternativement chaque côté
NL	Afwisselend aan de linker- en de rechterkant aandraaien
I	Alternare il serraggio delle viti
E	Apertar alternativamente
PT	Aperte alternadamente
S	Dra åt växelvis
FIN	Kierrä vuorotellen
EST	Pinguldage vaheldumisi
LAT	Pielveiciet pamišus
LIT	Užsukinėkite pakaitomis
PL	Śruby dokręcaj naprzemiennie
RU	Загряивайте попеременно

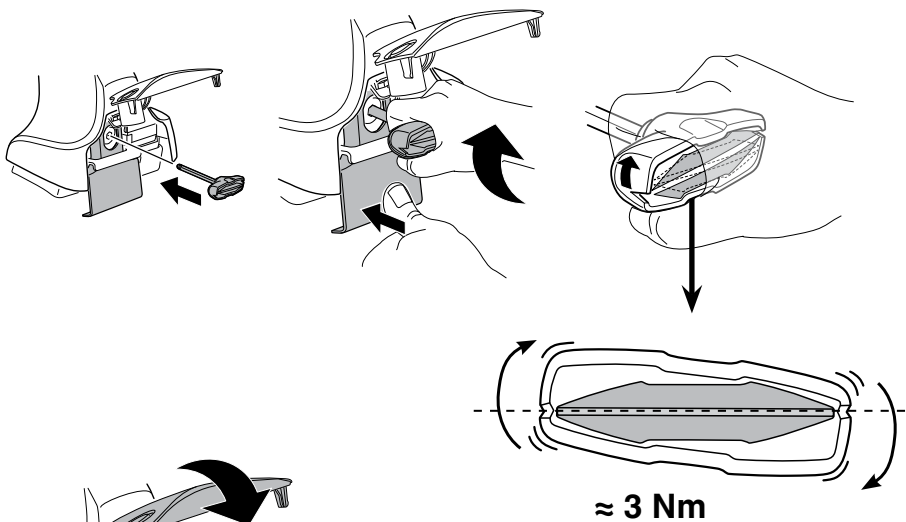
CZ	Pokręřta багаžnika dokręcaj naprzemiennie.
SK	Dofahajte striedavo
SLO	Privijajte izmenično.
HR	Naizmjenično zategnite
HU	Egymástól függetlenül szorítandó
GR	Σφιγίγτες εναλλάξ
TR	Dönüşümlü sıkın

中文 交替拧紧

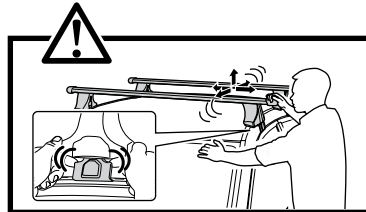
한국어 번갈아 가며 조이십시오.

日本語 交互に締め付けてください。

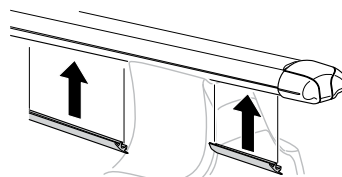
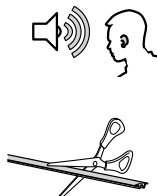
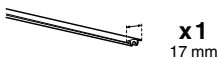
ไทย ชันในแบบสลับ

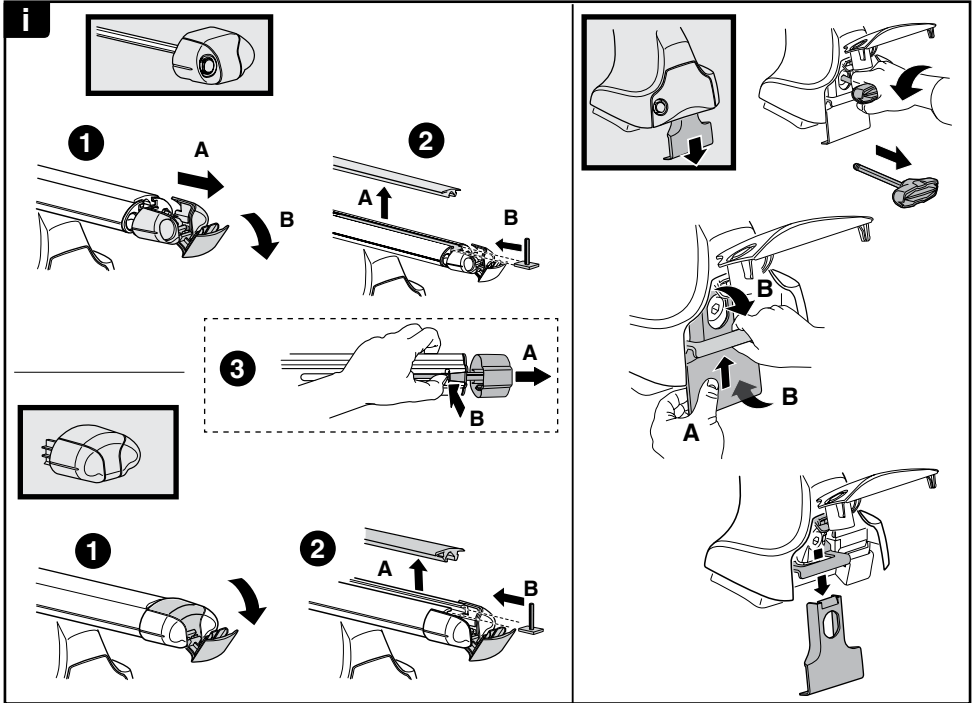


≈ 3 Nm

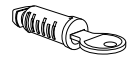
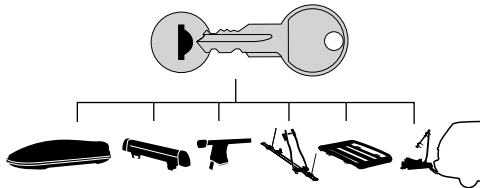


8

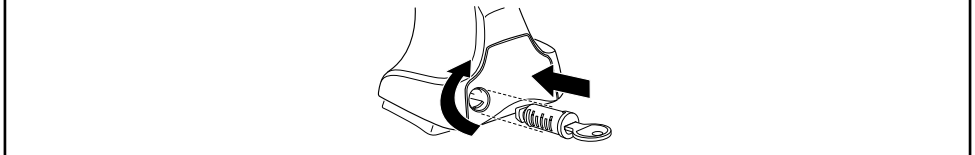




THULE
SWEDEN
**ONE
KEY
SYSTEM**



- 544** (x4)
- 596** (x6)
- 588** (x8)
- NA **510** (x10)
- EUR **452** (x12)
- ASIA



WW ▶ Thule Sweden AB, Box 69, 330 33 Hillerstorp, SWEDEN
NA ▶ Thule Inc., 42 Silvermine Road, Seymour, Connecticut 06483, USA

info@thule.com
customer.service@thule.com

www.thule.com

503-1548-02