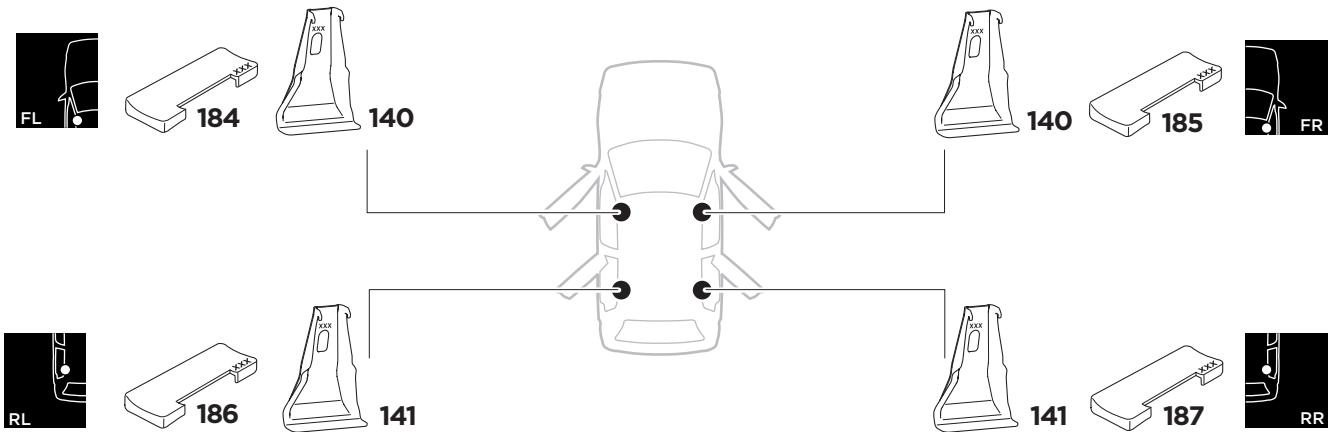
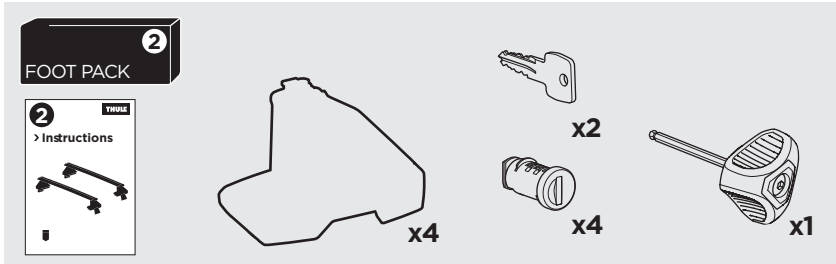
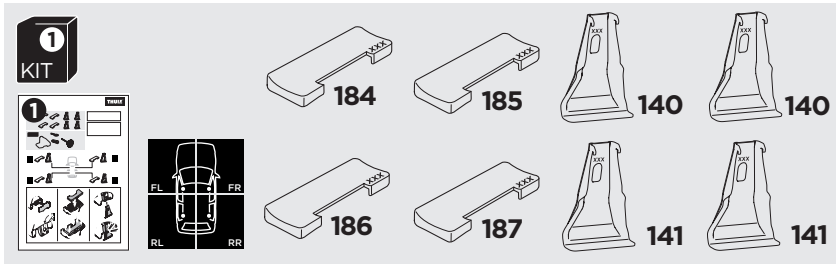


1

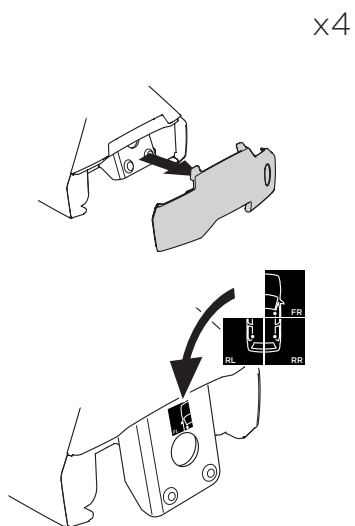
Kit 5074

FORD Edge, 5-dr SUV, 15-

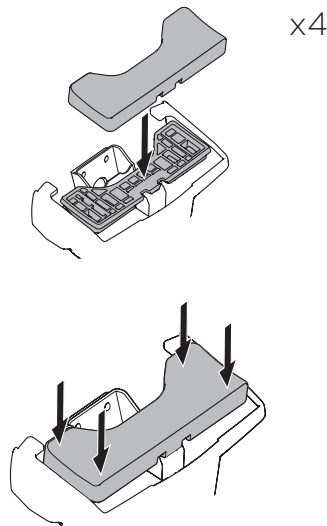
ISO 11154-E



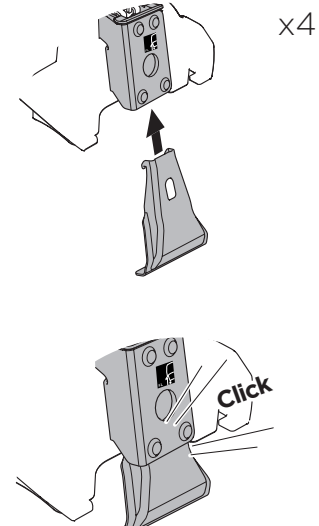
1 **1 KIT** + **2 FOOT PACK** **2**



2



3





THULE WingBar Evo	THULE WingBar Edge	THULE WingBar	THULE SquareBar	Evo X (scale)	Edge X (scale)
FORD Edge, 5-dr SUV, 15-				50,5	N
THULE ProBar	THULE SlideBar				X (mm/inch)
FORD Edge, 5-dr SUV, 15-				1156 mm / 45 1/2"	



THULE WingBar Evo	THULE WingBar Edge	THULE WingBar	THULE SquareBar	Evo Y (scale)	Edge Y (scale)
FORD Edge, 5-dr SUV, 15-				46,5	D
THULE ProBar	THULE SlideBar				Y (mm/inch)
FORD Edge, 5-dr SUV, 15-				1116 mm / 43 7/8"	

	W (mm/inch)	Z (mm/inch)
FORD Edge, 5-dr SUV, 15-	750 mm / 29 1/2"	235 mm / 9 1/4"

