

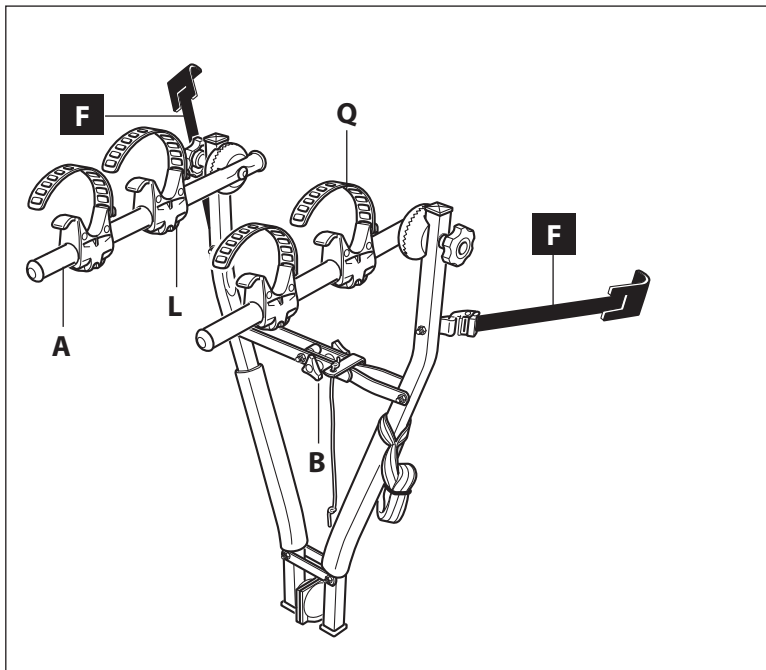
F PORTE VELOS ARRIERE POUR DISPOSITIF D'ATTELAGE

I PORTACICLO POSTERIORE GANCIO DI TRAINO

GB THE REAR CYCLE RACK FOR MOUNTING ON TOW BAR

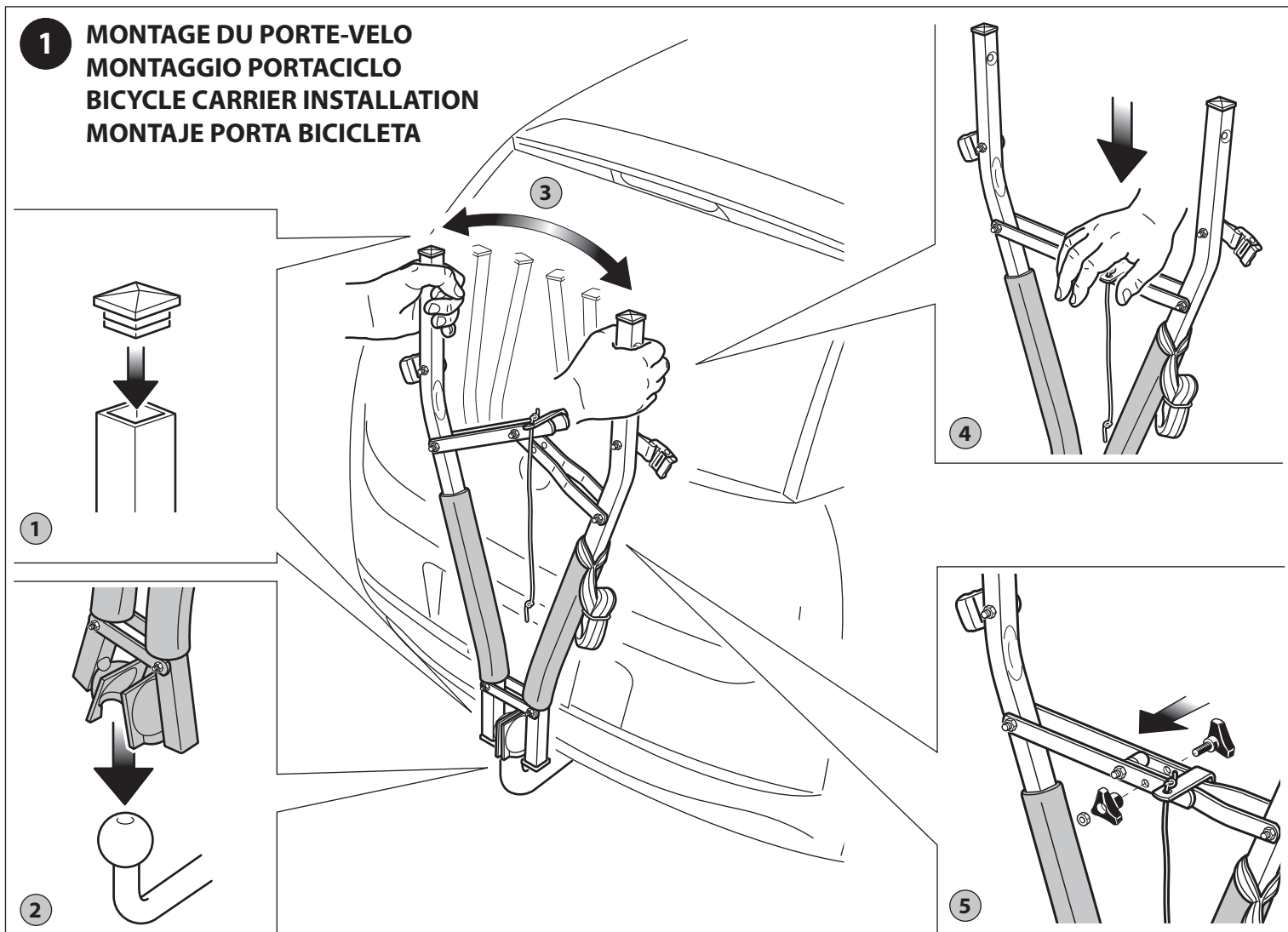
E PORTA BICICLETA PARA APLICAR A LA BOLA DE REMOLQUE

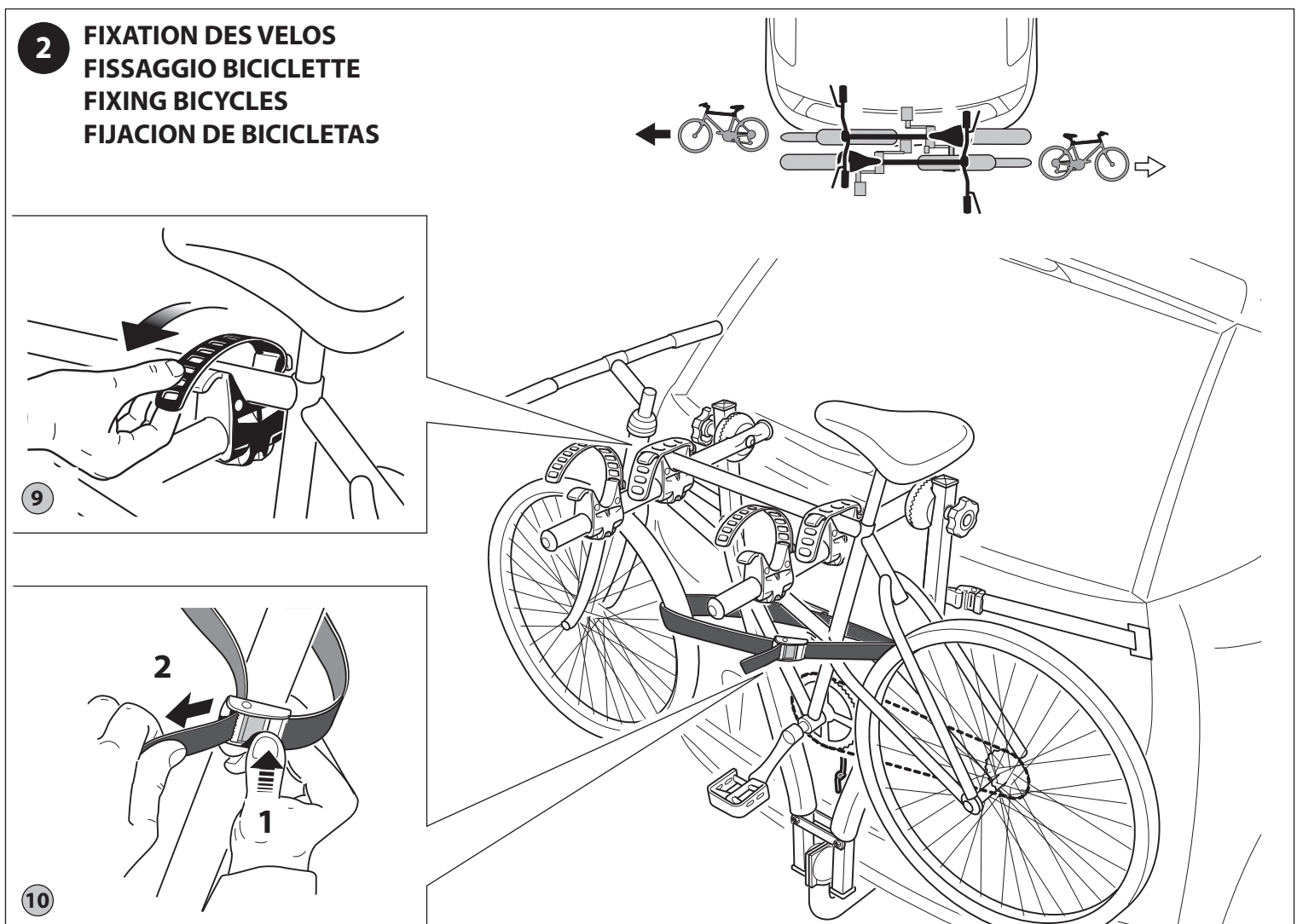
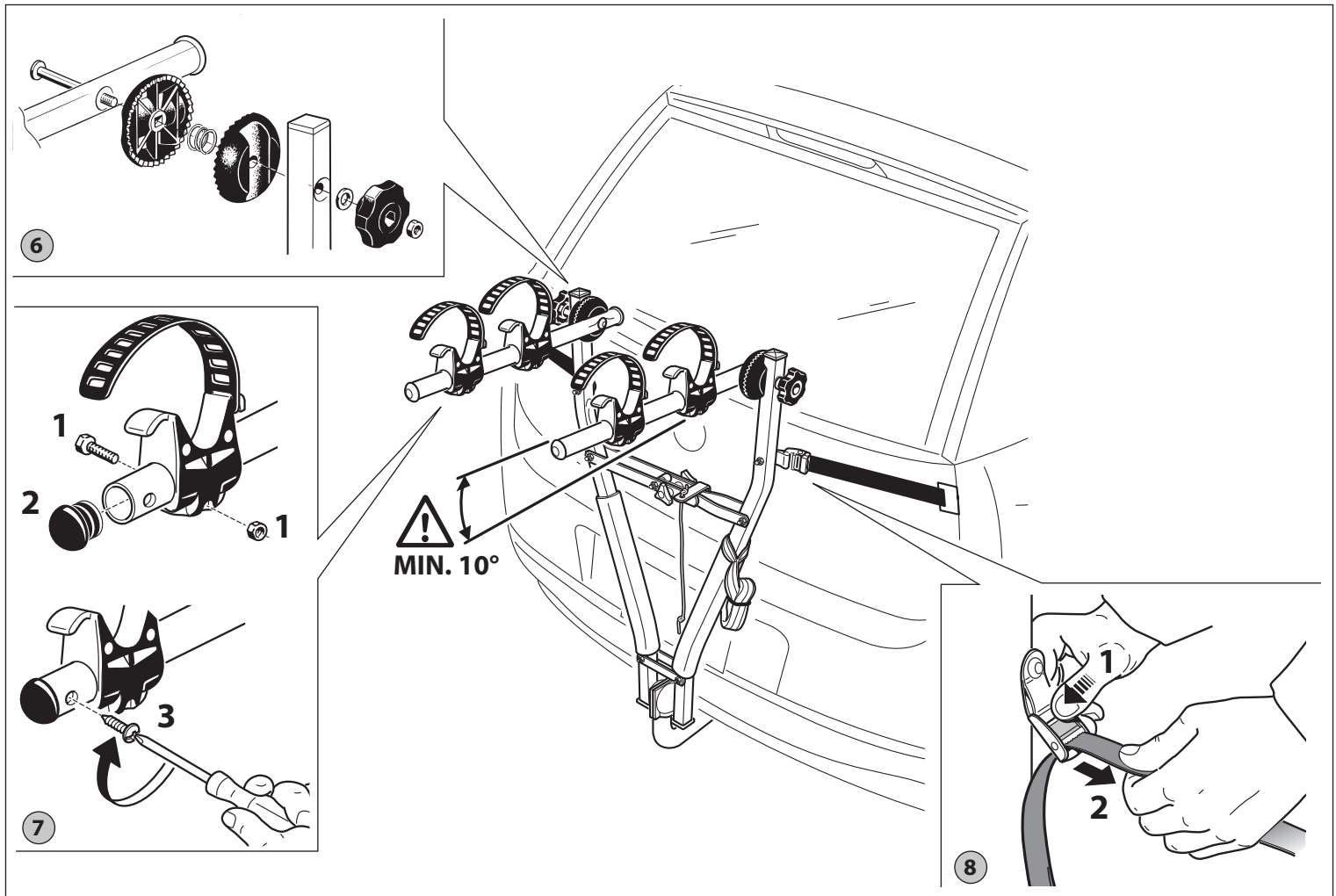
P UCHWYT ROWEROWY MOCOWANY NA HAKU



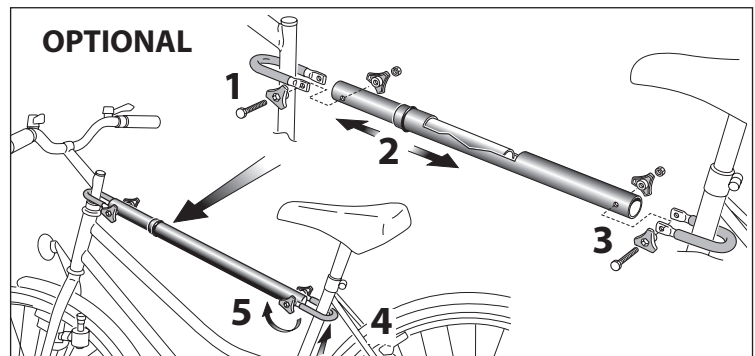
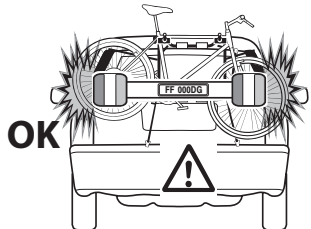
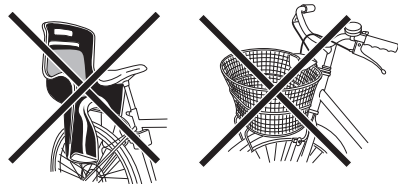
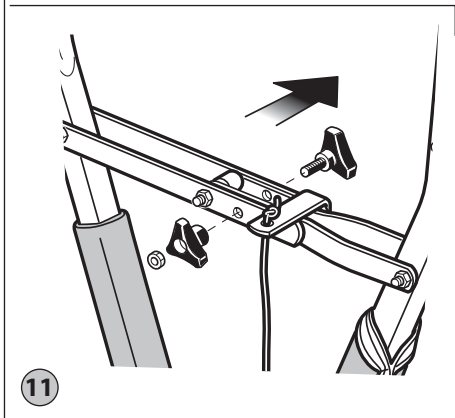
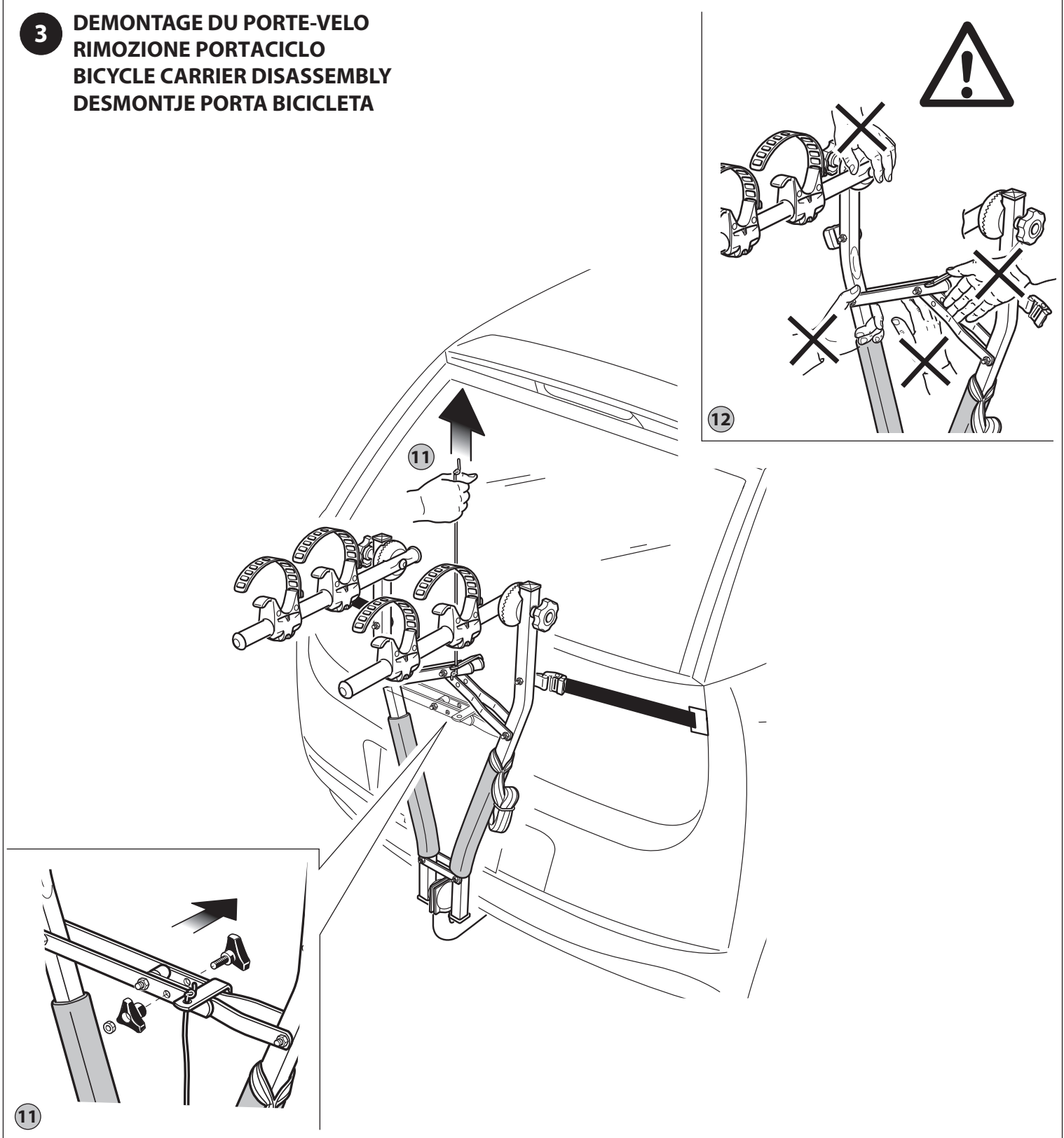
DETAIL	Pcs.	REF.	DETAIL	Pcs.
	1	A		2
	1	B		1
		F		2
		L		4
		Q		4
		T		4
		U		4

**1 MONTAGE DU PORTE-VELO
MONTAGGIO PORTACICLO
BICYCLE CARRIER INSTALLATION
MONTAJE PORTA BICICLETA**





3 DEMONTAGE DU PORTE-VELO
 RIMOZIONE PORTACICLO
 BICYCLE CARRIER DISASSEMBLY
 DESMONTJE PORTA BICICLETA



90MAX