

# MENABO

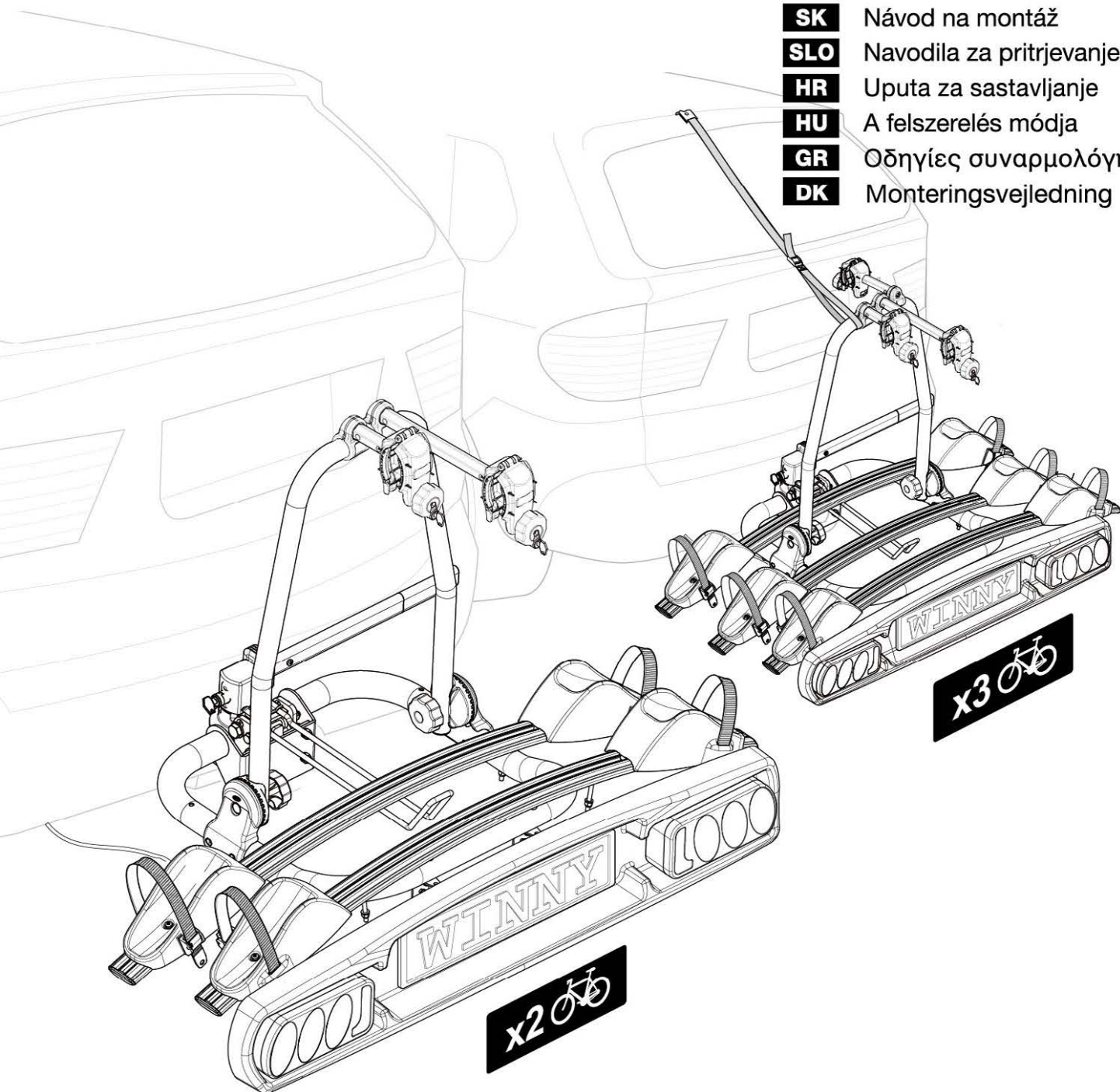
WINNY



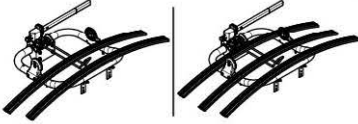
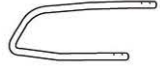






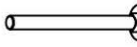

















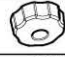

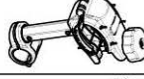
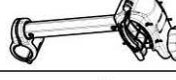


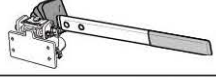
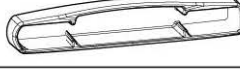


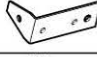
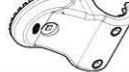
WINNY PLUS



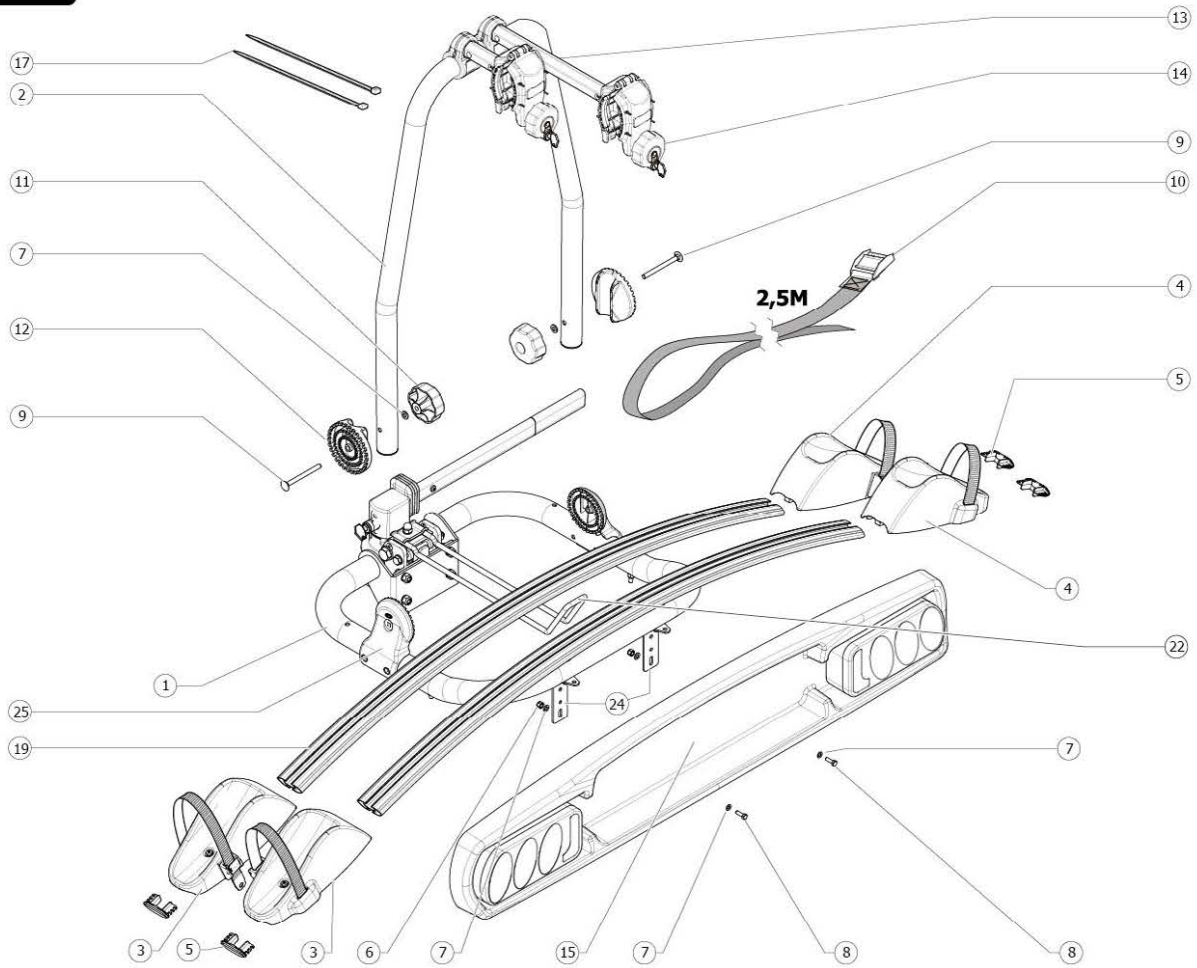
<b>I</b>	Istruzioni per il montaggio
<b>GB</b>	Fitting instructions
<b>D</b>	Montageanleitung
<b>F</b>	Instructions de montage
<b>E</b>	Instrucciones de montaje
<b>NL</b>	Montage-instructies
<b>PT</b>	Instruções de Montagem
<b>S</b>	Monteringsanvisning
<b>FIN</b>	Asennusohje
<b>EST</b>	Paigaldusjuhend
<b>LAT</b>	Stiprināšanas instrukcija
<b>LIT</b>	Pritvirtinimo instrukcijos
<b>PL</b>	Instrukcja montażu
<b>RU</b>	Инструкции по установке
<b>CZ</b>	Návod na montáž
<b>SK</b>	Návod na montáž
<b>SLO</b>	Navodila za pritrjevanje
<b>HR</b>	Uputa za sastavljanje
<b>HU</b>	A felszerelés módja
<b>GR</b>	Οδηγίες συναρμολόγησης
<b>DK</b>	Monteringsvejledning



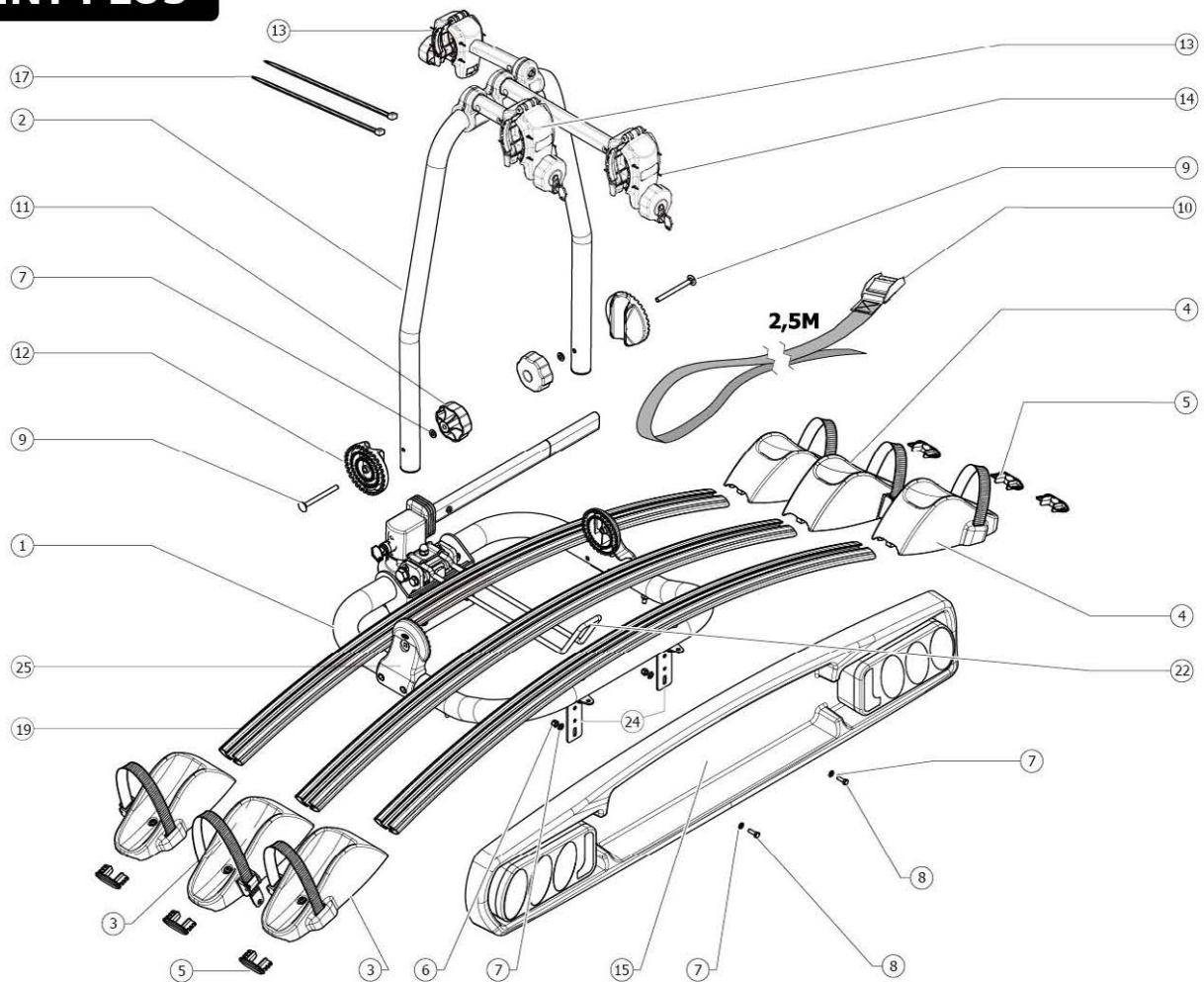
N.	<b>I</b> Componenti (Inclusi) <b>GB</b> Components (Included) <b>F</b> Composants (Comprises) <b>DE</b> Die Komponenten (im Lieferumfang enthalten) <b>E</b> Componentes (Incluido) <b>RU</b> Компоненты (в комплекте)	WINNY	WINNY PLUS
		x2 	x3 
		Q.	Q.
1		1	1
2		1	1
3	 SX	2	3
4	 DX	2	3
5		4	6
6	 M6	2	2
7	 M6	6	6
8	 M6x14	2	2
9	 M6x70	2	2
10	 MT 2,5	1	2
11		2	2
12		2	2
13		1	2
14		1	1
15		1	1
16		-	1
17		2	2

N.	<b>I</b> Ricambi (A Richiesta) <b>GB</b> Spare Parts (Made to order) <b>F</b> Pièces de rechange (Sur commande) <b>DE</b> Teile (auf Anfrage) <b>E</b> Piezas de recambio (Previa solicitud) <b>RU</b> Запасные части (по запросу)	Q.	Codice Code Code Code Codigo код
4		1	
5		2	700005100000
6	 M6	2	700013300000
7	 M6	6	
8	 M6x14	2	
9	 M6x70	2	
10	 MT 2,5	1	700001100000
11		2	700001900000
12		2	700007000000
13		1	700003200000
14		1	700003100000
16		1	700004700000
19		1	700013400000
20		1	700011400000
21		1	700013500000
22		1	700013600000
23		1	700003300000
24		2	700003400000
25		1	700013700000




# WINNY

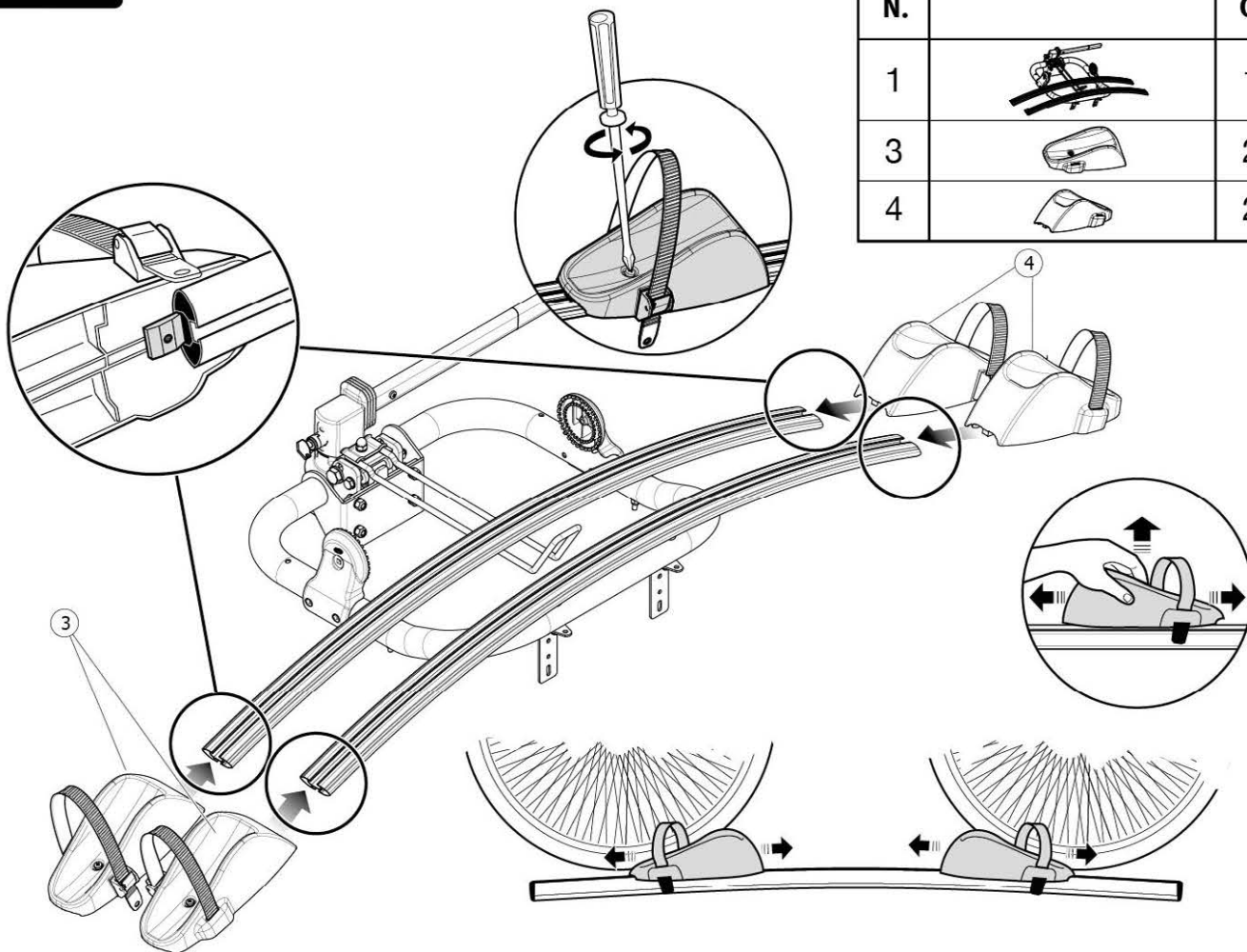


# WINNY PLUS

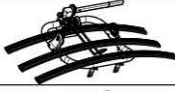




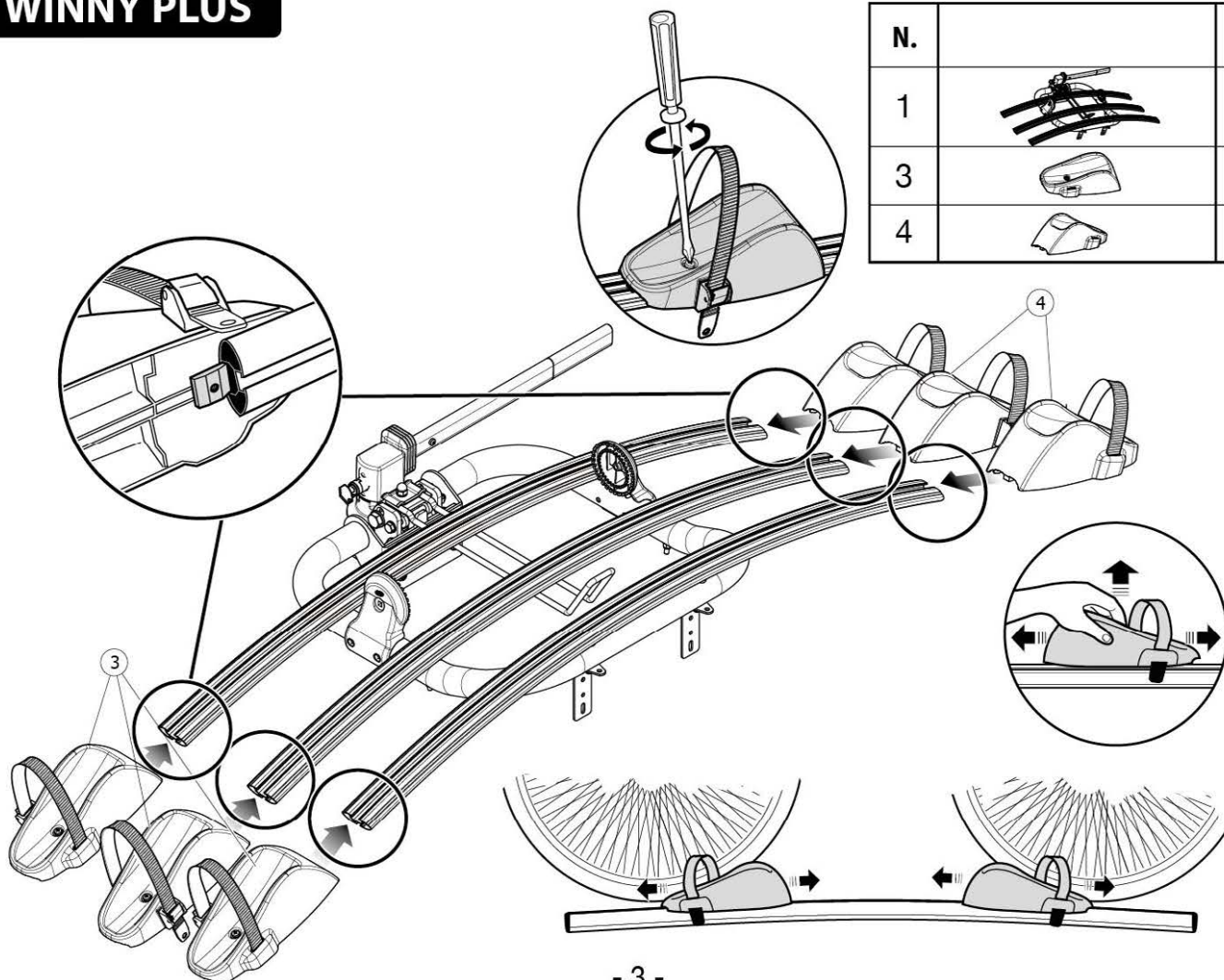
# 1 WINNY

N.		Q.
1		1
3		2
4		2




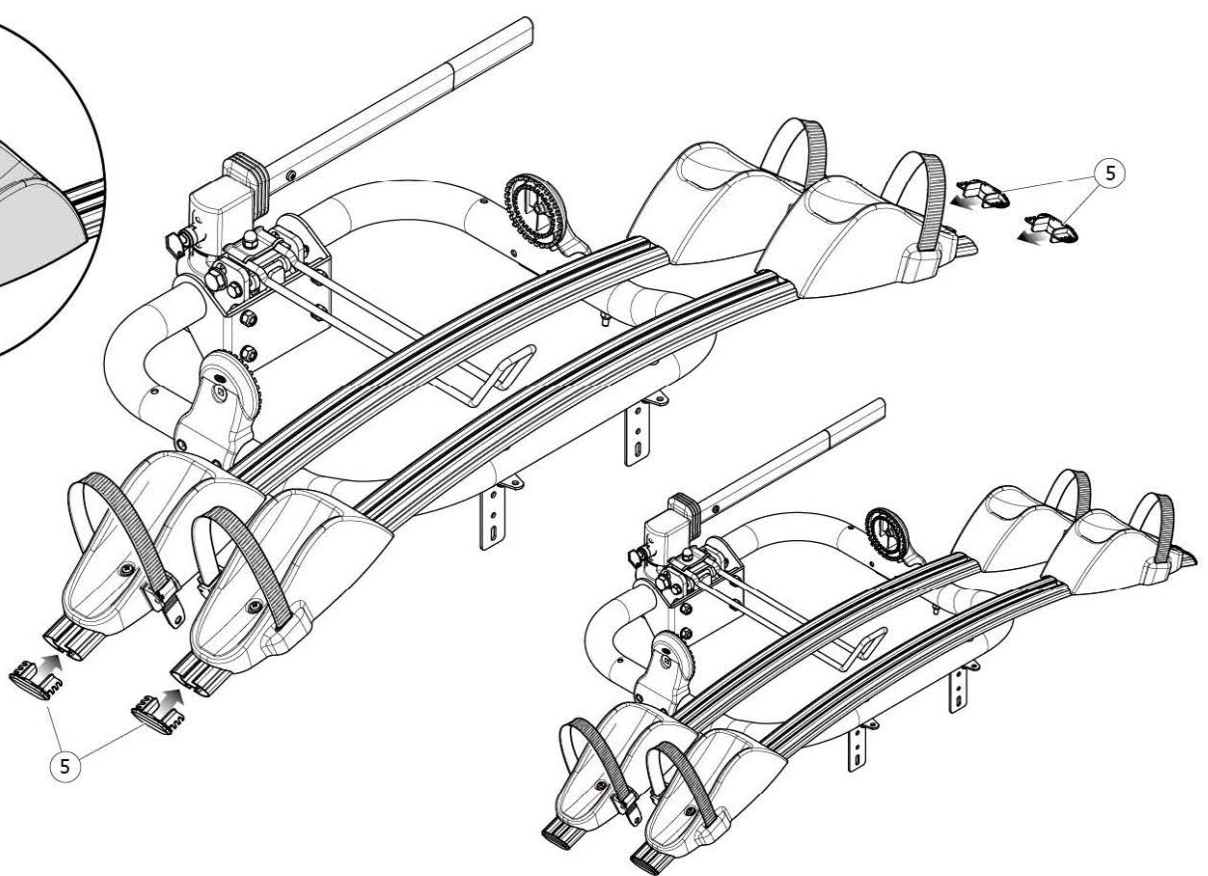
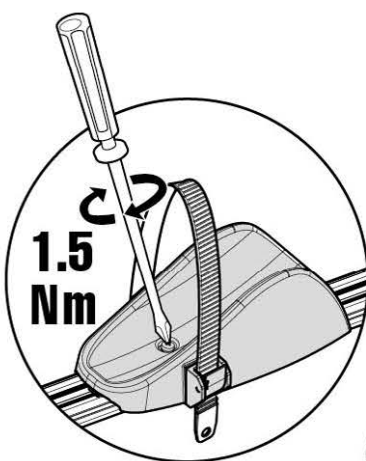
# 1 WINNY PLUS

N.		Q.
1		1
3		3
4		3




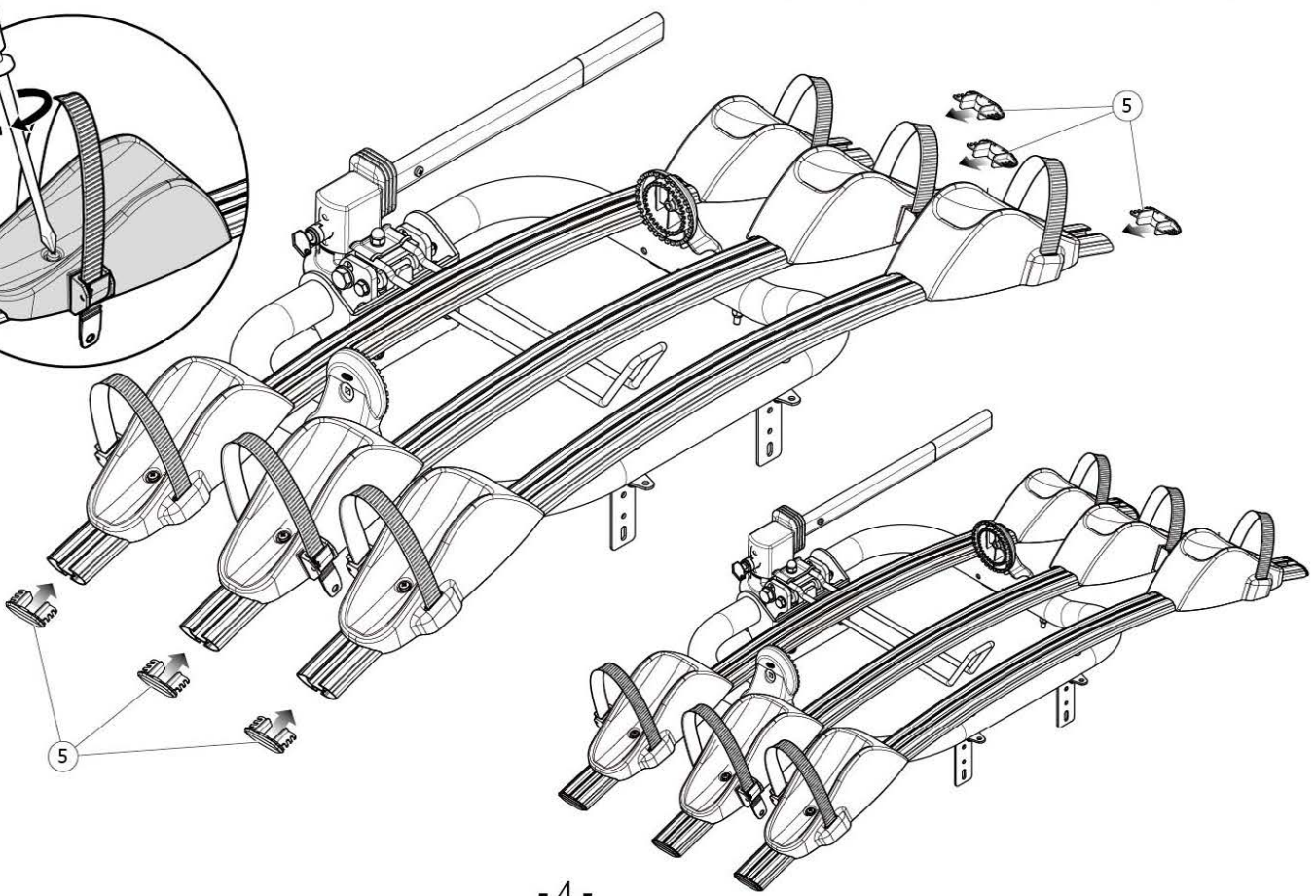
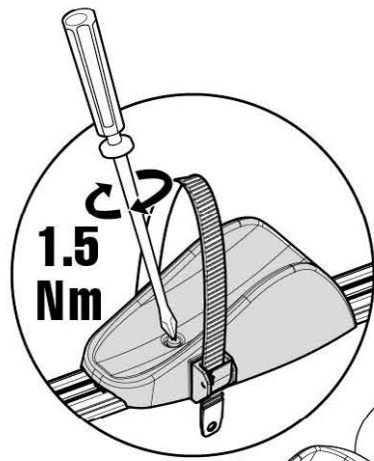
## 2 WINNY

N.		Q.
5		4

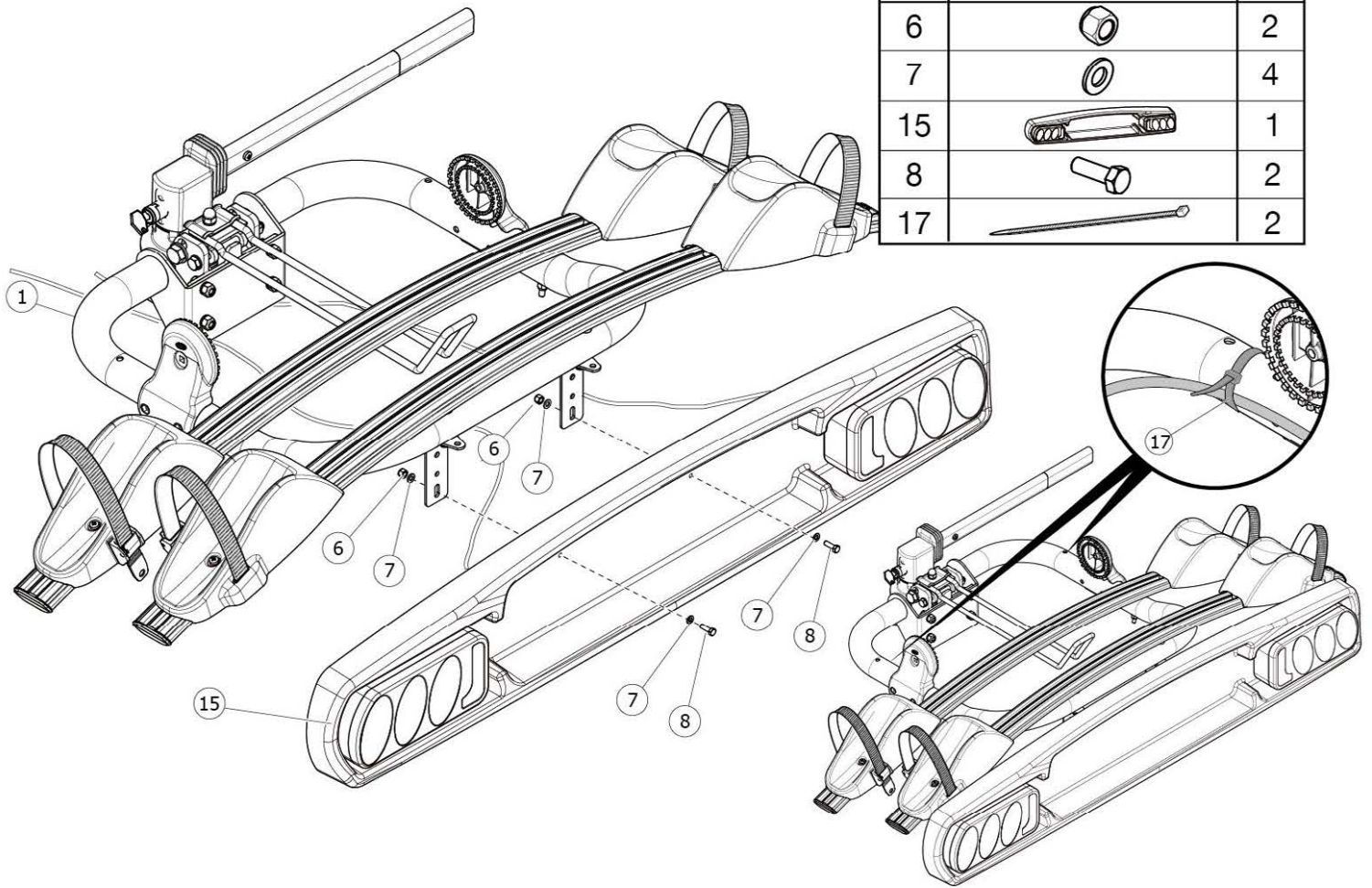


## 2 WINNY PLUS

N.		Q.
5		6



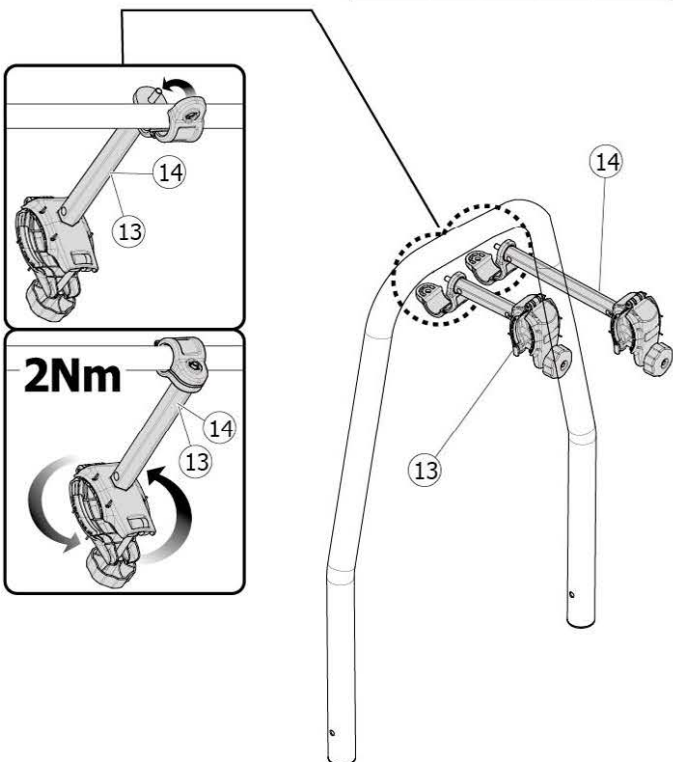
### 3 WINNY - WINNY PLUS



N.		Q.
6		2
7		4
15		1
8		2
17		2

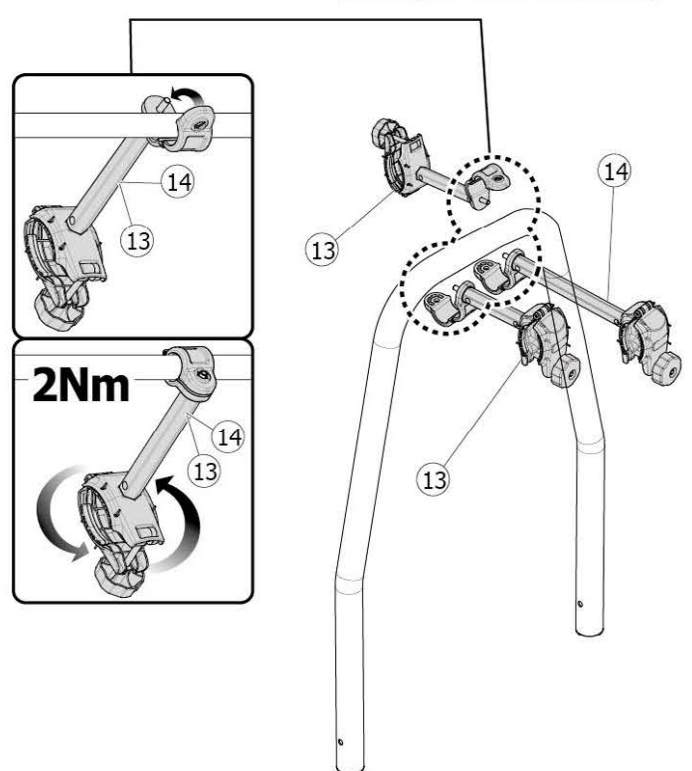
### 4 WINNY

N.		Q.
2		1
13		1
14		1




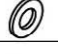



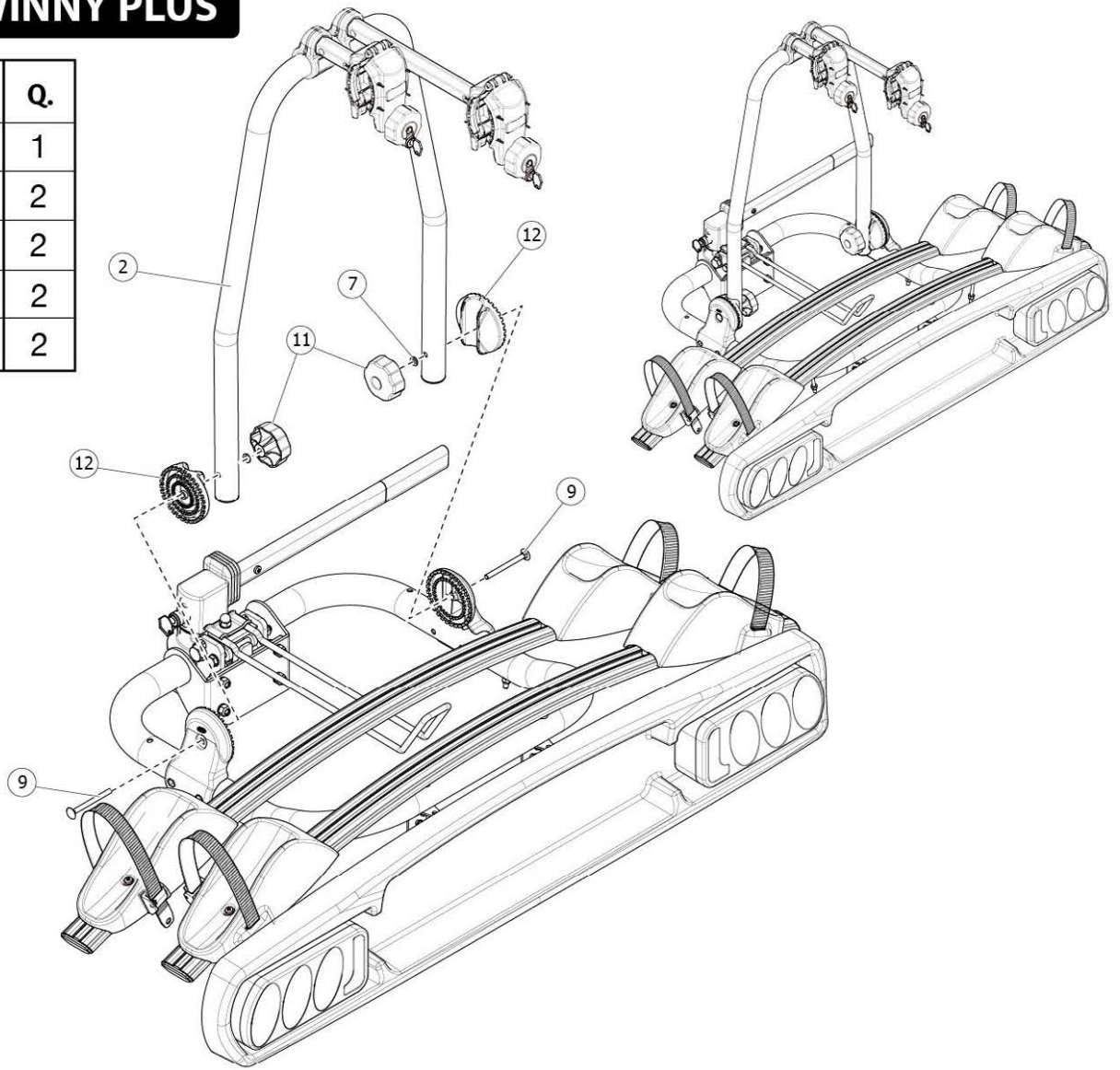
### 4 WINNY PLUS

N.		Q.
2		1
13		2
14		1

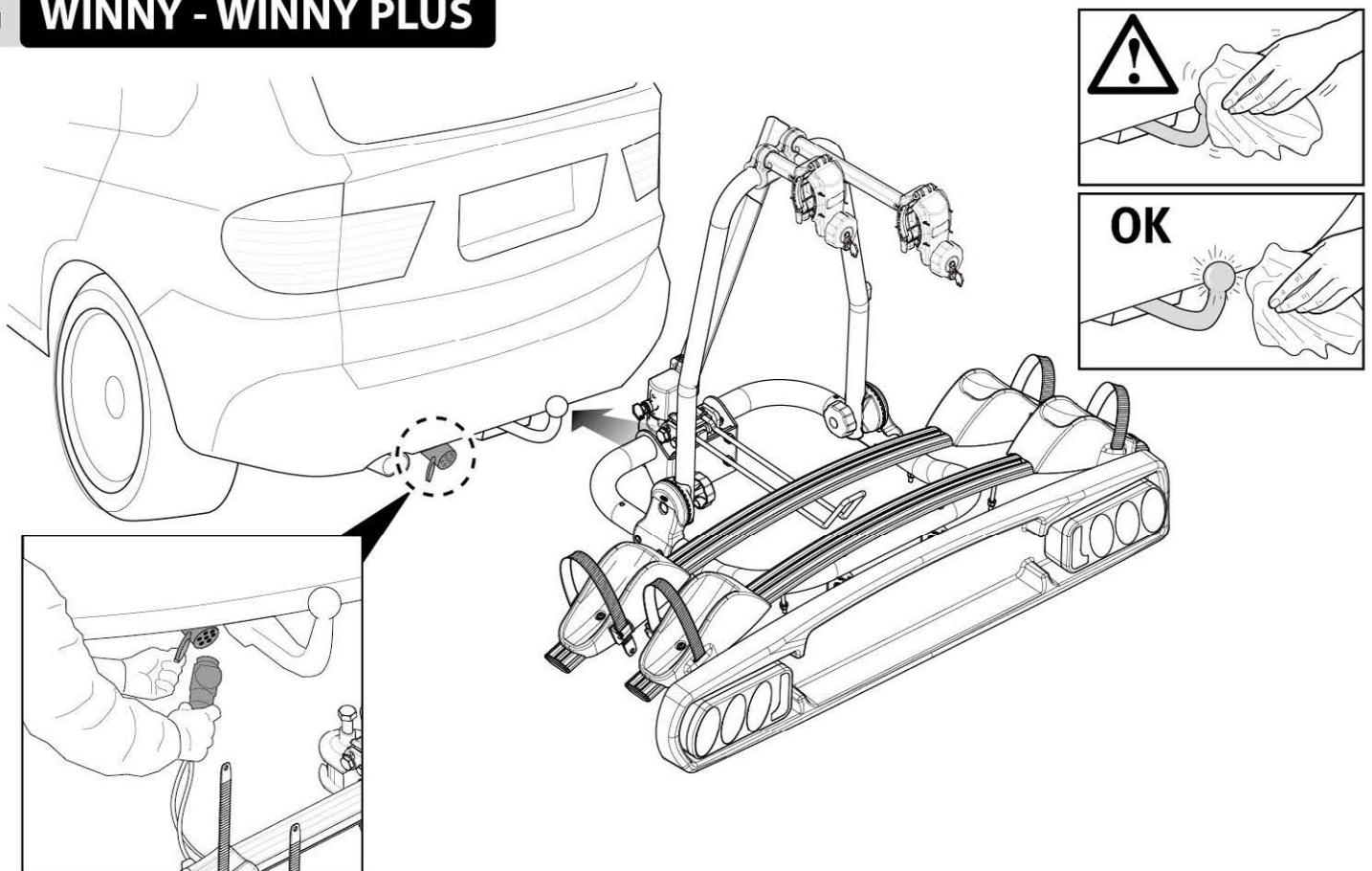


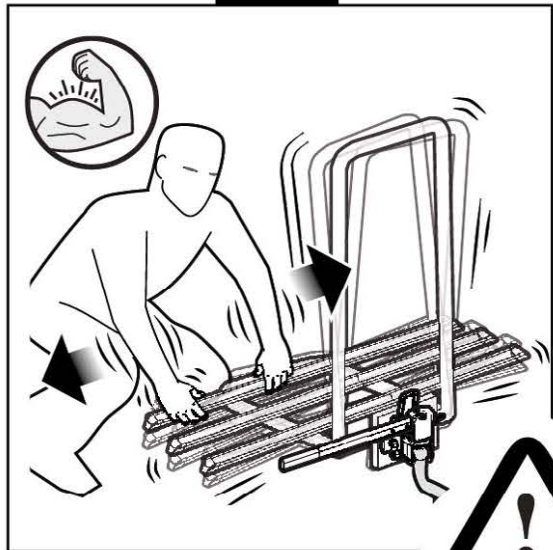
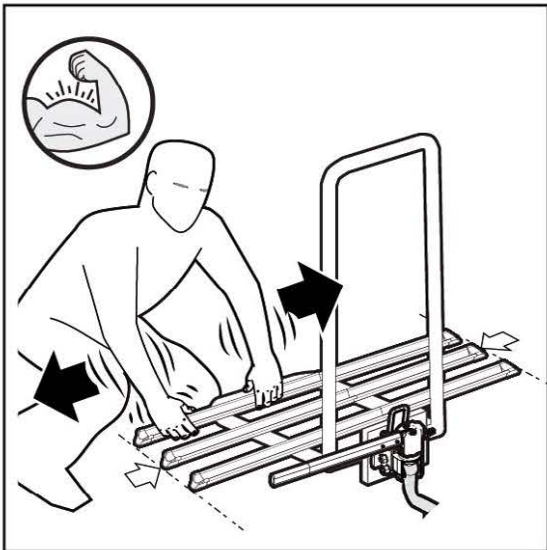
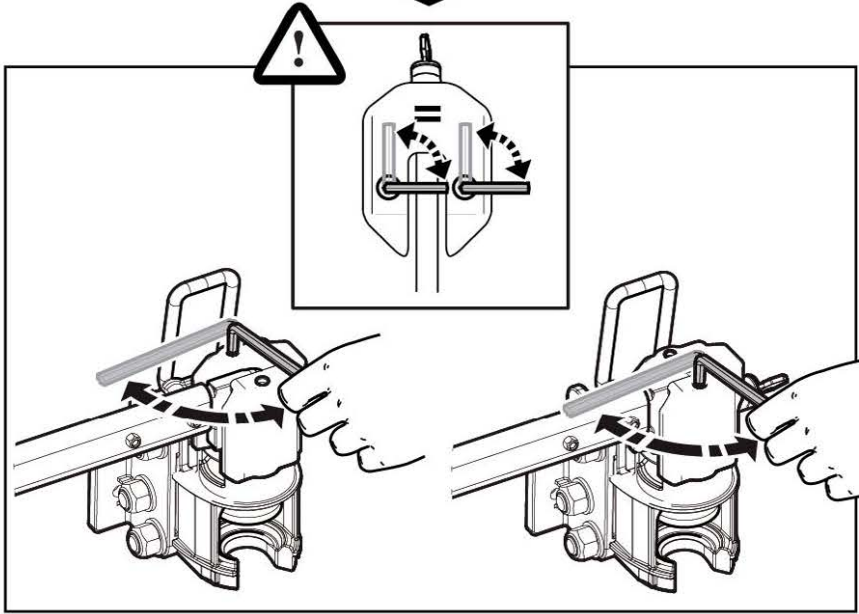
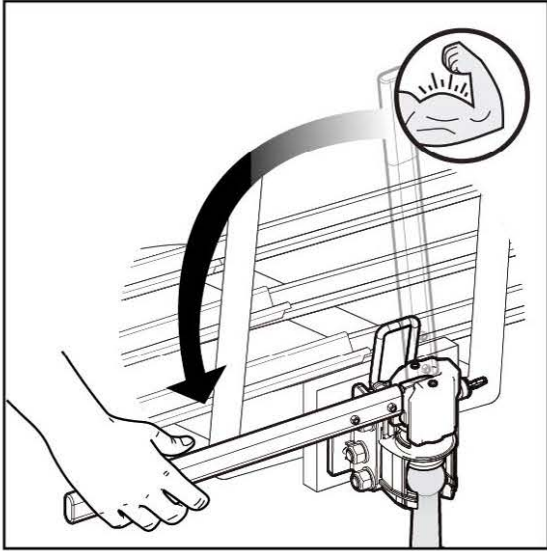
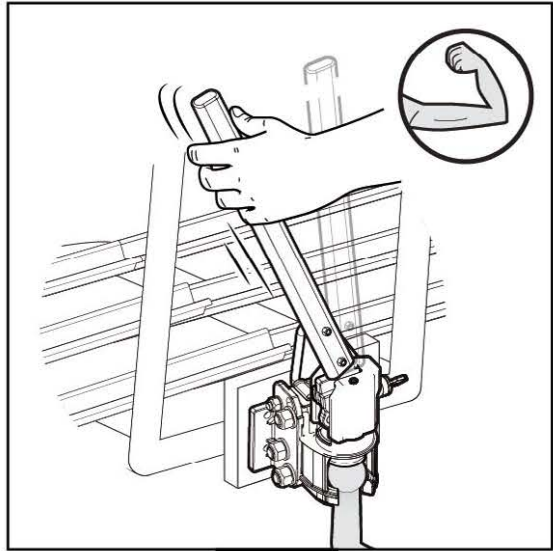
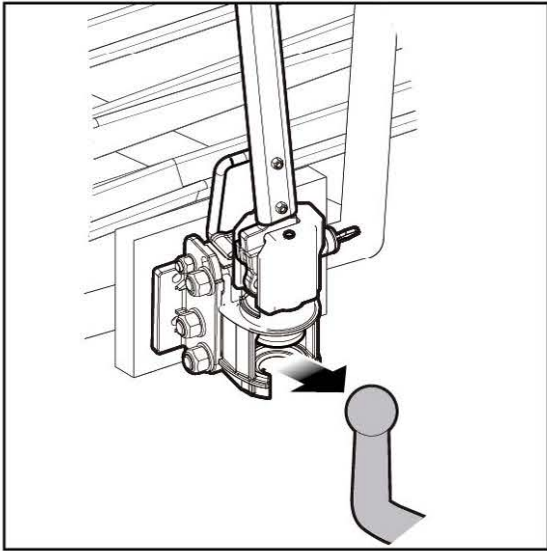
## 5 WINNY - WINNY PLUS

N.		Q.
2		1
11		2
12		2
7		2
9		2



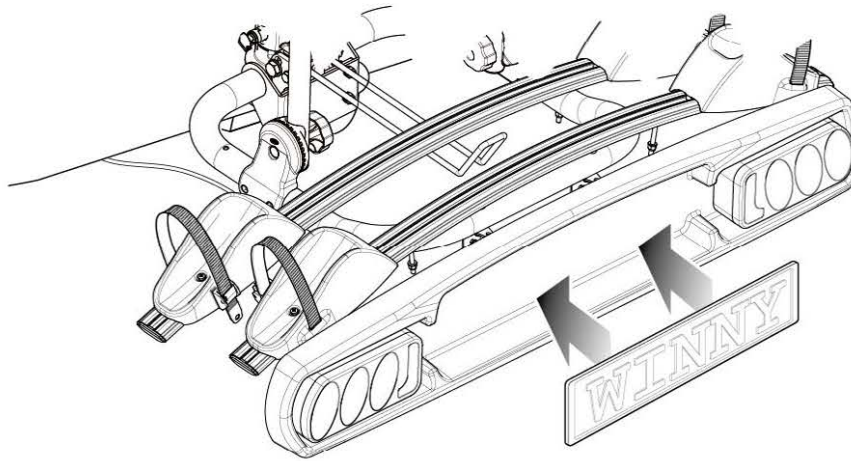
## 6.1 WINNY - WINNY PLUS







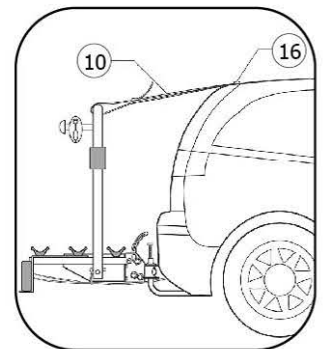
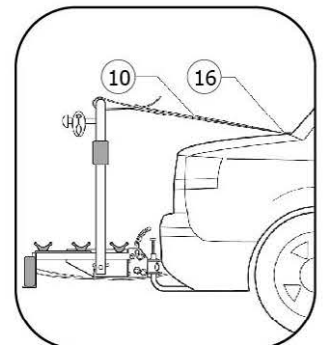
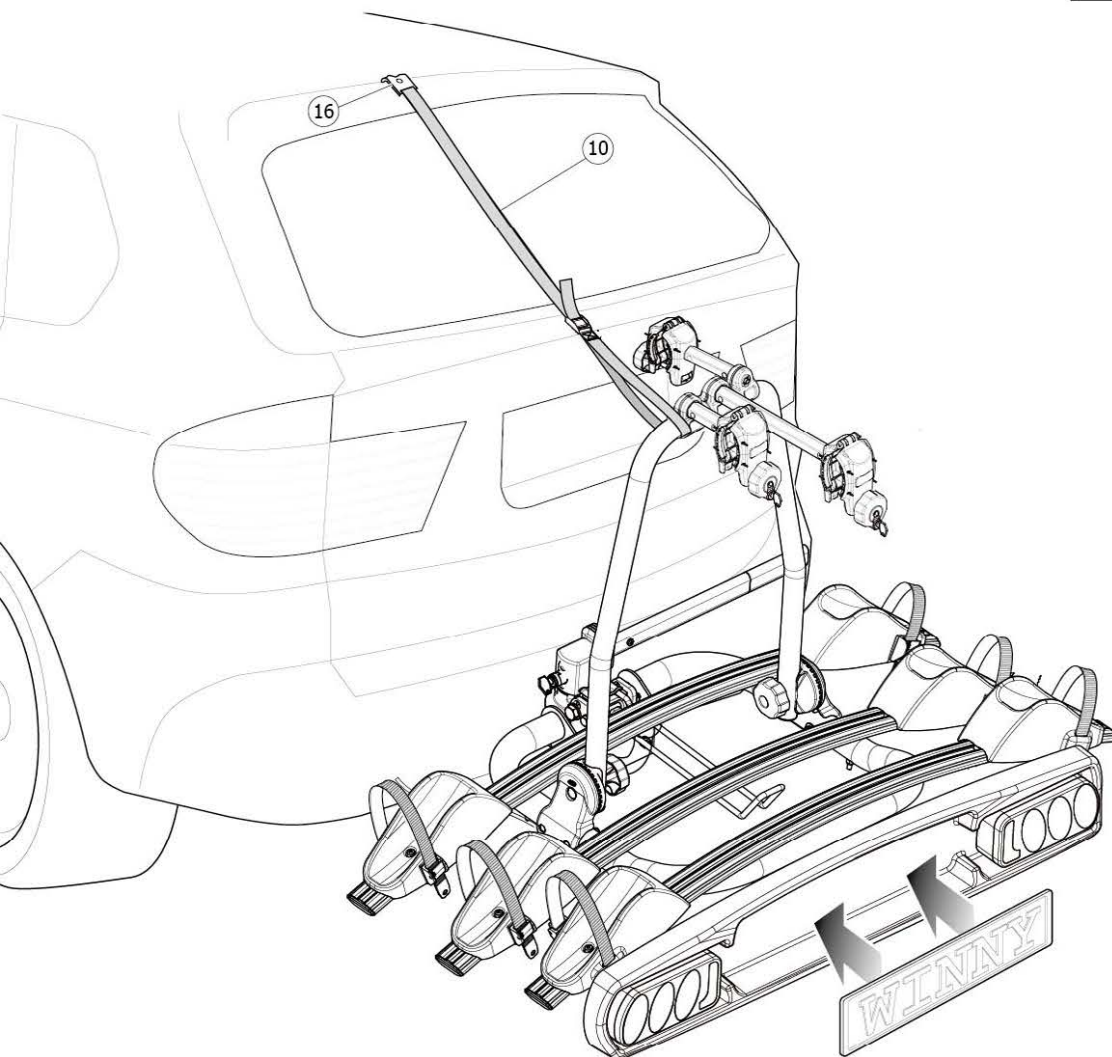


# 7 WINNY

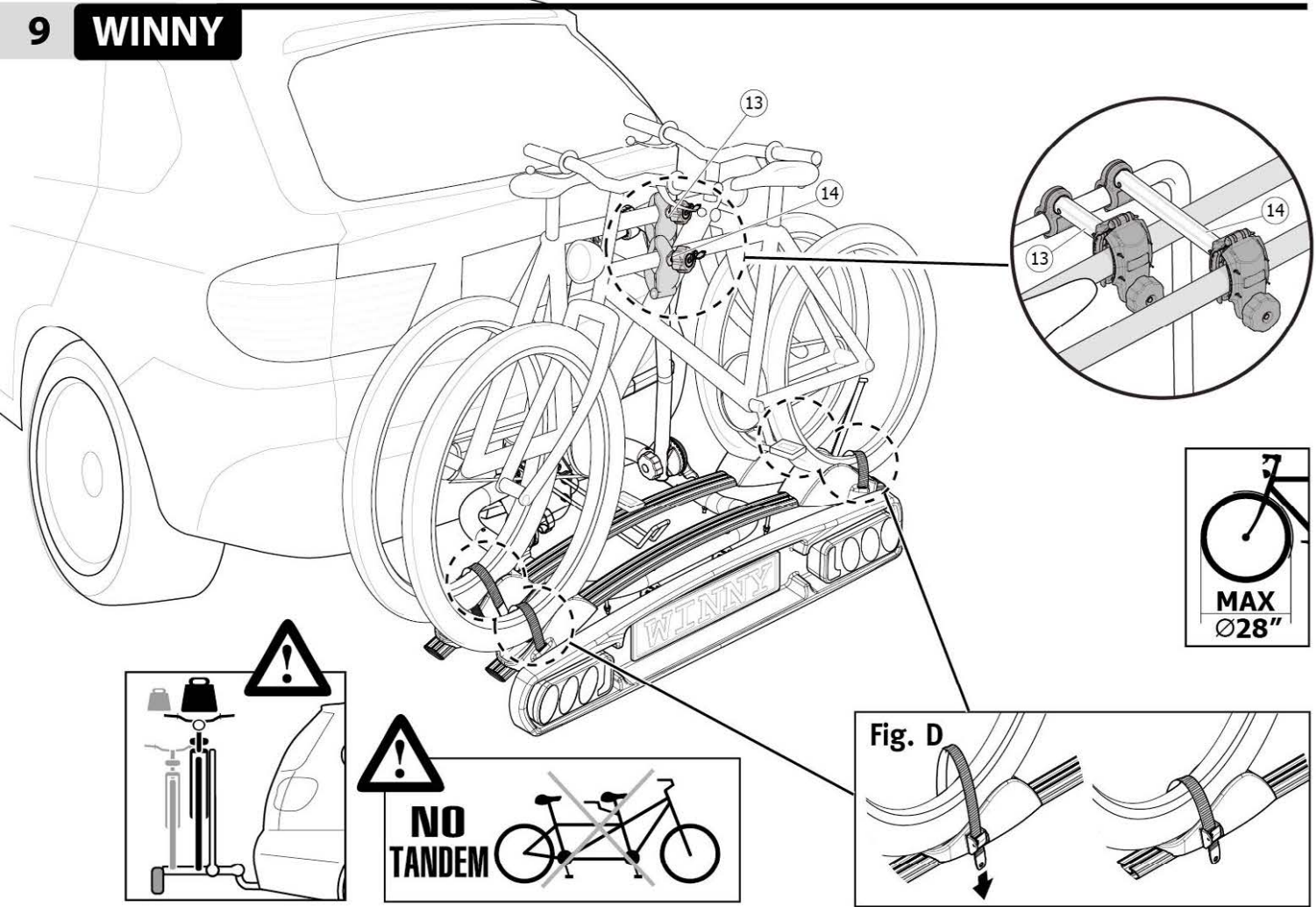


# 8 WINNY PLUS

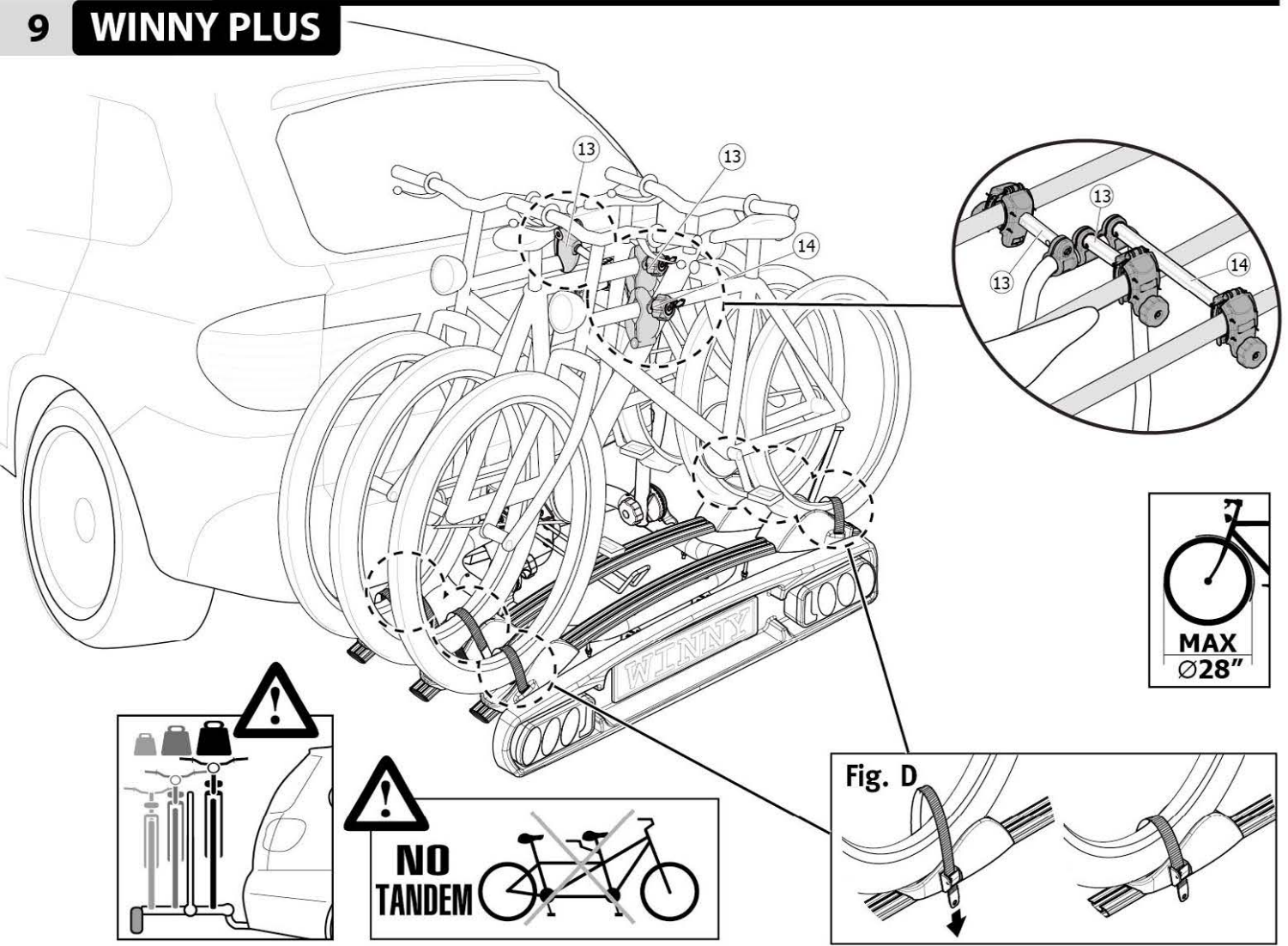
N.		Q.
10	 MT 2,5	1
16		1



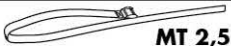
9 WINNY

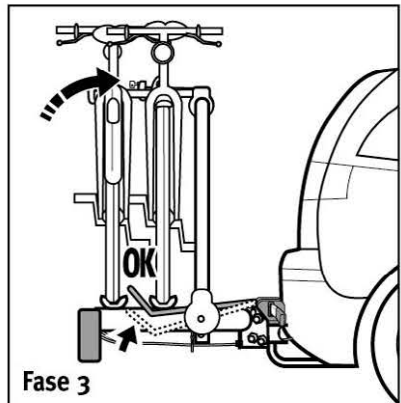
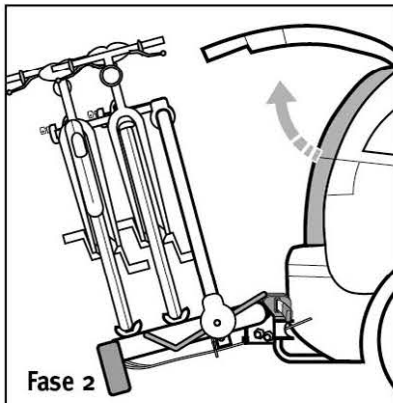
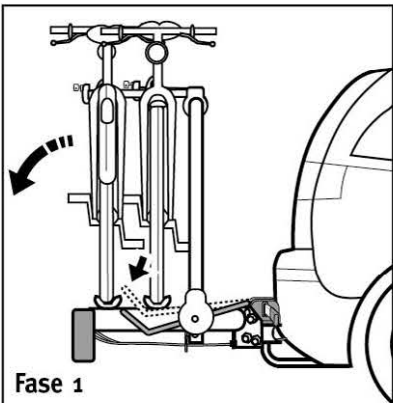
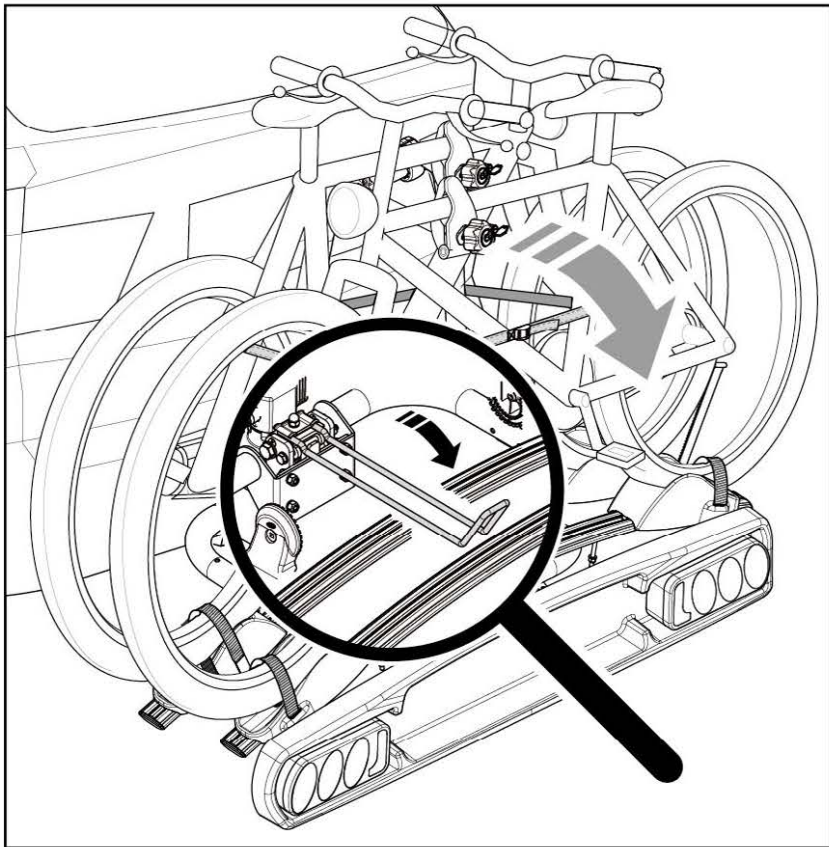
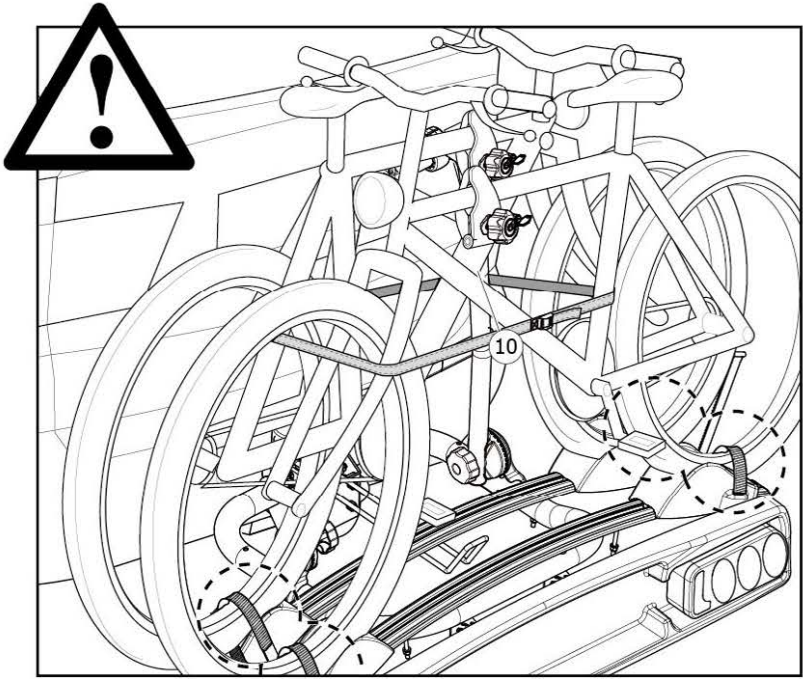


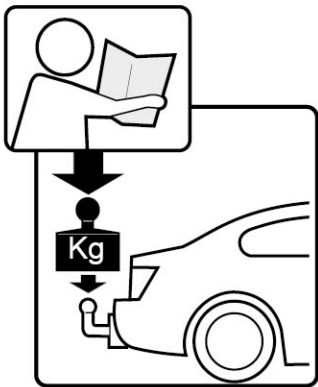
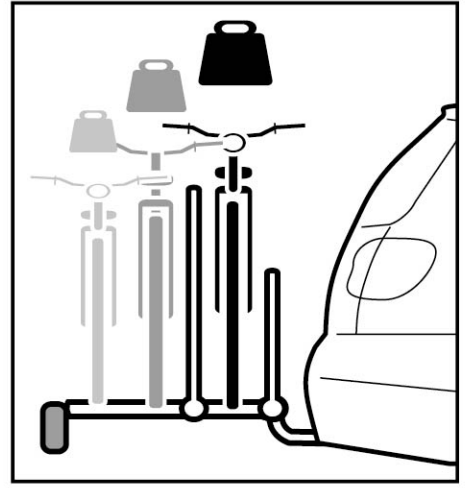
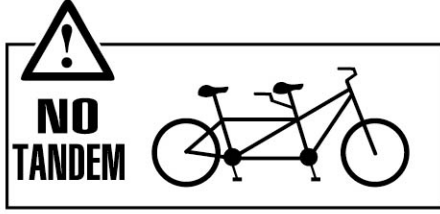
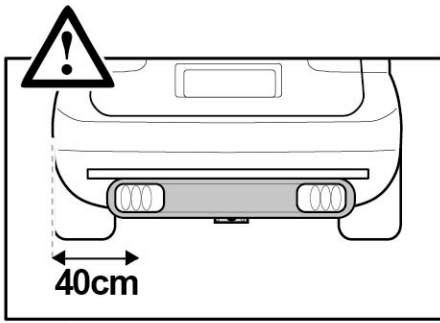
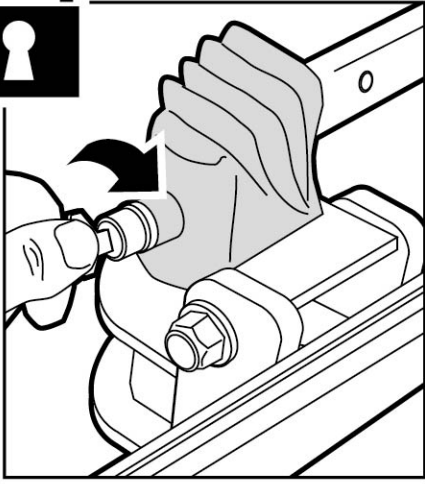
9 WINNY PLUS



# 10 WINNY - WINNY PLUS

N.		Q.
10	 MT 2,5	1





MAX ↓ 	 WINNY	 MAX 15 Kg 2x	 WINNY PLUS	 MAX 15 Kg 3x
	50 Kg	15,7 Kg	MAX 30 Kg	17,3 Kg
60 Kg	MAX 30 Kg		MAX 42,7 Kg	
>60 Kg	MAX 30 Kg		MAX 45 Kg	



# NSAI

Certification

## EEC TYPE APPROVAL CERTIFICATE FOR A SEPARATE TECHNICAL UNIT

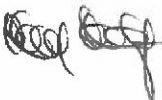
(Articles 9(a) of the Council Directive 70/156/EEC of 6 February 1970  
on the approximation of the laws of the Member States relating  
to the type-approval of motor vehicles and their trailers)

Separate technical unit: *Type of luggage rack*

EEC type-approval number for the separate technical unit: *e24\*74/483\*87/354\*0032\*01*

Reason of for extension: *Addition of trade name Inter-Union Technohandel GmbH, Type Silver Star*

1. Trade name or mark: *F.LLI MENABO'  
Inter Union Technohandel GmbH*
2. Type: *WINNY*  
Version(s): *-Art. 946846D, Type Winny 15kg.,  
Kit for 2 bicycles, marked F.Ili Menabò  
-Art. 947846D, Type Kit Winny 2kg.,  
Extension set for 3 bicycles,  
marked F.Ili Menabò  
-Art. 75317, Type 75317/Silver Star  
Kit for 2 bicycles, marked Inter Union  
Technohandel GmbH  
-Art. 75846, Type 75846/Kit Silver Star  
Extension set for 3 bicycles, marked  
Inter Union Technohandel GmbH*
3. Manufacturer's name and address: *F.LLI MENABO' S.r.l.,  
Via Marzo, 8, Z.I. Corte Tegge,  
42025 Cavriago (RE),  
Italy.*
4. If applicable, name and address of manufacturer's  
authorized representative, if any: *N/A.*
5. Characteristics of the separate technical unit: *Carrier device, fitted on a tow bar  
with a clamping mechanism,  
provided with steel frame aluminium  
construction and the facilities of the  
transportation of 2 or 3 bicycles.*
6. Limitations of use, if any, and assembly instructions: *See technical report 55 0008 09 Vers.1  
and accompanying manufacturers  
documentation.*

- 7. Specimen required for EEC type-approval of a separate technical unit submitted on: *2008-11-20*
- 8. Technical service: *TÜV Rheinland Italia S.r.l*
- 9. Date of test report issued by that service: *As before and 2009.05.18*
- 10. Number of test report issued by that service: *55 0008 09 up to Vers.1*
- 11. EEC type-approval for separate technical units has been granted/refused in respect of the luggage rack(s), ski rack(s), ~~radio receiving or transmitting~~ aerial(s): *granted in respect of luggage racks*
- 12. Place: *Dublin.*
- 13. Date: *21<sup>st</sup> May 2009*
- 14. Signature: 



15. The following documents bearing the above mentioned EEC type-approval number for a separate technical unit, are annexed to this certificate

..... Technical report number 55 0008 09, Vers. 1

..... Information document No. 5550008-09-01.

14. Remarks:

- Documentation: *66 pages.*



Cod. Art.	Cod. istr.	Data	Creato da	Approvata da
000040600000 000040800000	100029400002	19/03/2015	EL	LM

**MENABO**

Via 8 Marzo, 3 - Z.I. Corte tegge  
42025 CAVRIAGO (RE) ITALY  
Tel. +39-0522/942840 r.a. - 942798  
Fax +39-0522/942948  
e-mail: [info@flli-menabo.it](mailto:info@flli-menabo.it) - <http://www.flli-menabo.it>