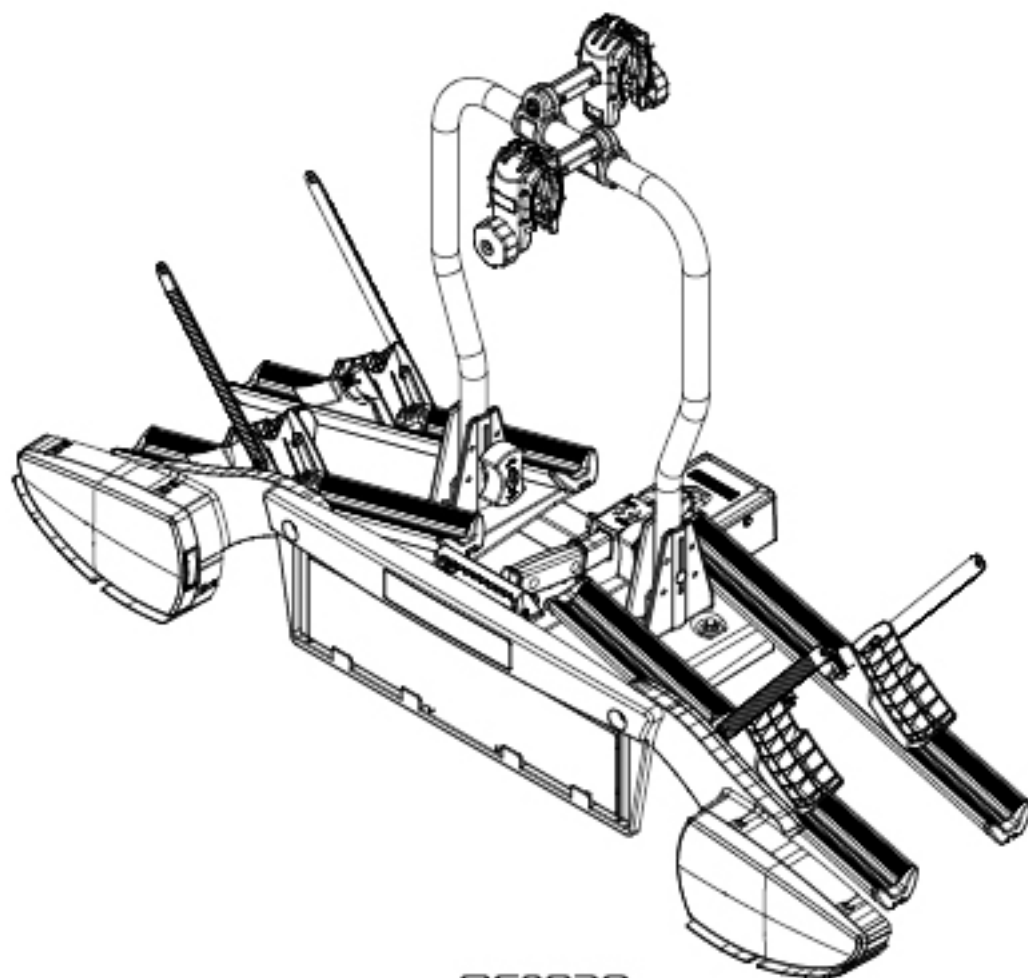


MENABO

ALTAIR

- | | | | |
|------------|-----------------------------|----------------|---------------------------|
| I | Istruzioni per il montaggio | RU | Инструкции по установке |
| GB | Fitting instructions | CZ | Návod na montáž |
| D | Montageanleitung | SK | Návod na montáž |
| F | Instructions de montage | SLO | Navodila za pritrdjevanje |
| E | Instrucciones de montaje | HR | Uputa za sastavljanje |
| NL | Montage-instructies | HU | A felszerelés módja |
| PT | Instruções de Montagem | GR | Οδηγίες συναρμολόγησης |
| S | Monteringsanvisning | DK | Monteringsvejledning |
| FIN | Asennusohje | RO | Instrucțiuni de montare |
| EST | Paigaldusjuhend | TK | Uydurma talimat |
| LAT | Stiprināšanas instrukcija | DK | Montering instruktion |
| LIT | Pritvirtinimo instrukcijos | N | Monteringsveiledning |
| PL | Instrukcja montażu | 中文 | 裝修指導 |
| | | العربية | تعليمات التجميل |

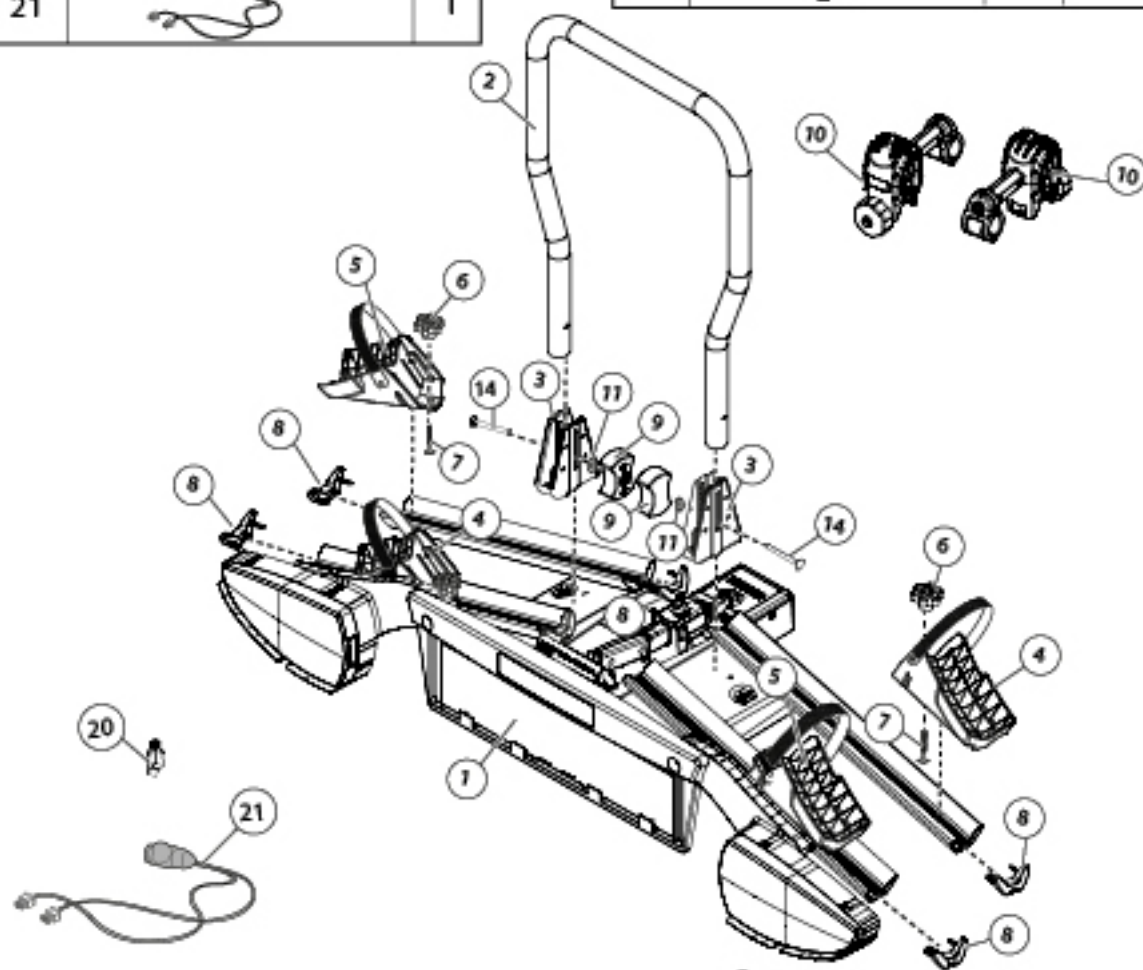


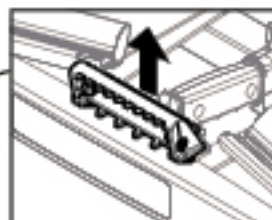
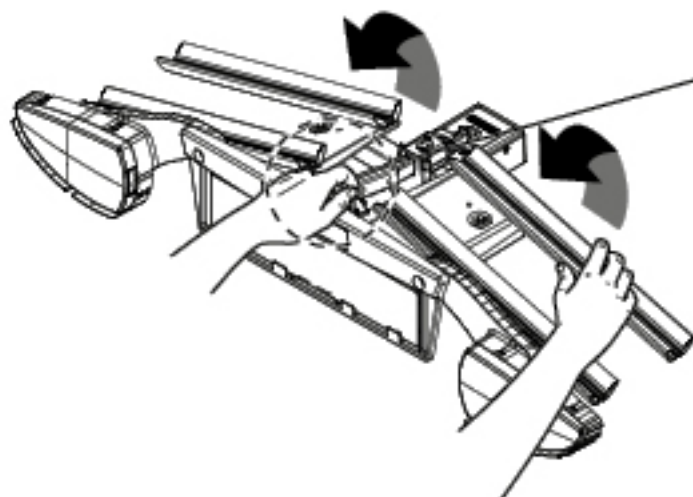
MENABO
F.lli Menabò S.r.l.
Via 8 Marzo, 3
I - 42025 Cavriago (RE)
Tel. +39-0522/942840
Fax. +39-0522/942948
e-mail: info@fli-menabo.it
Web-site: www.fli-menabo.it



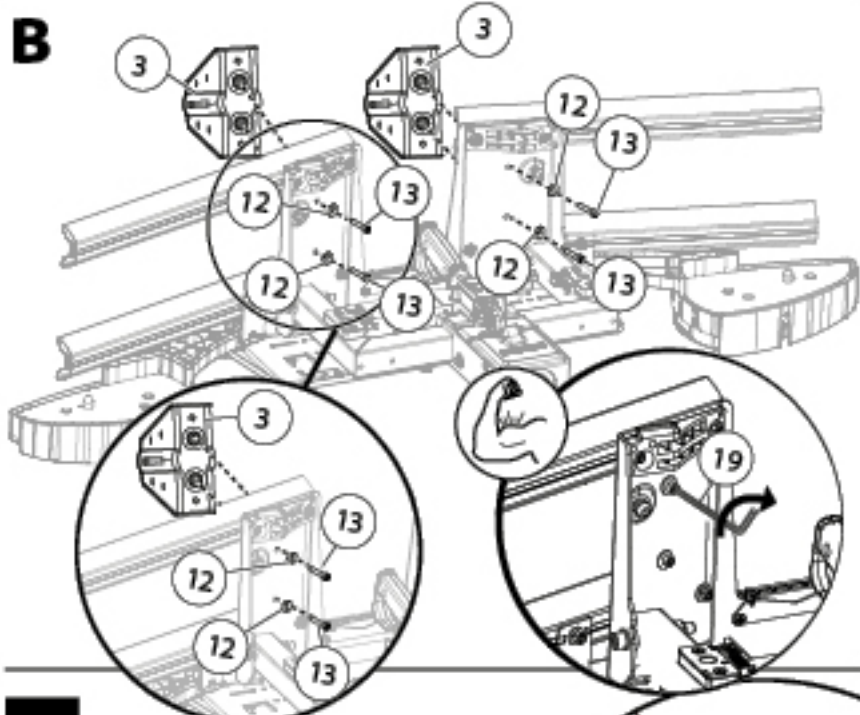
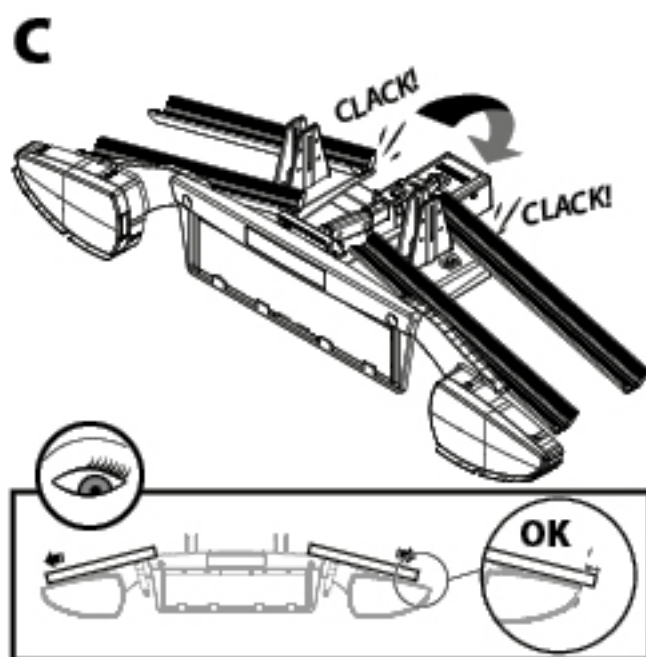
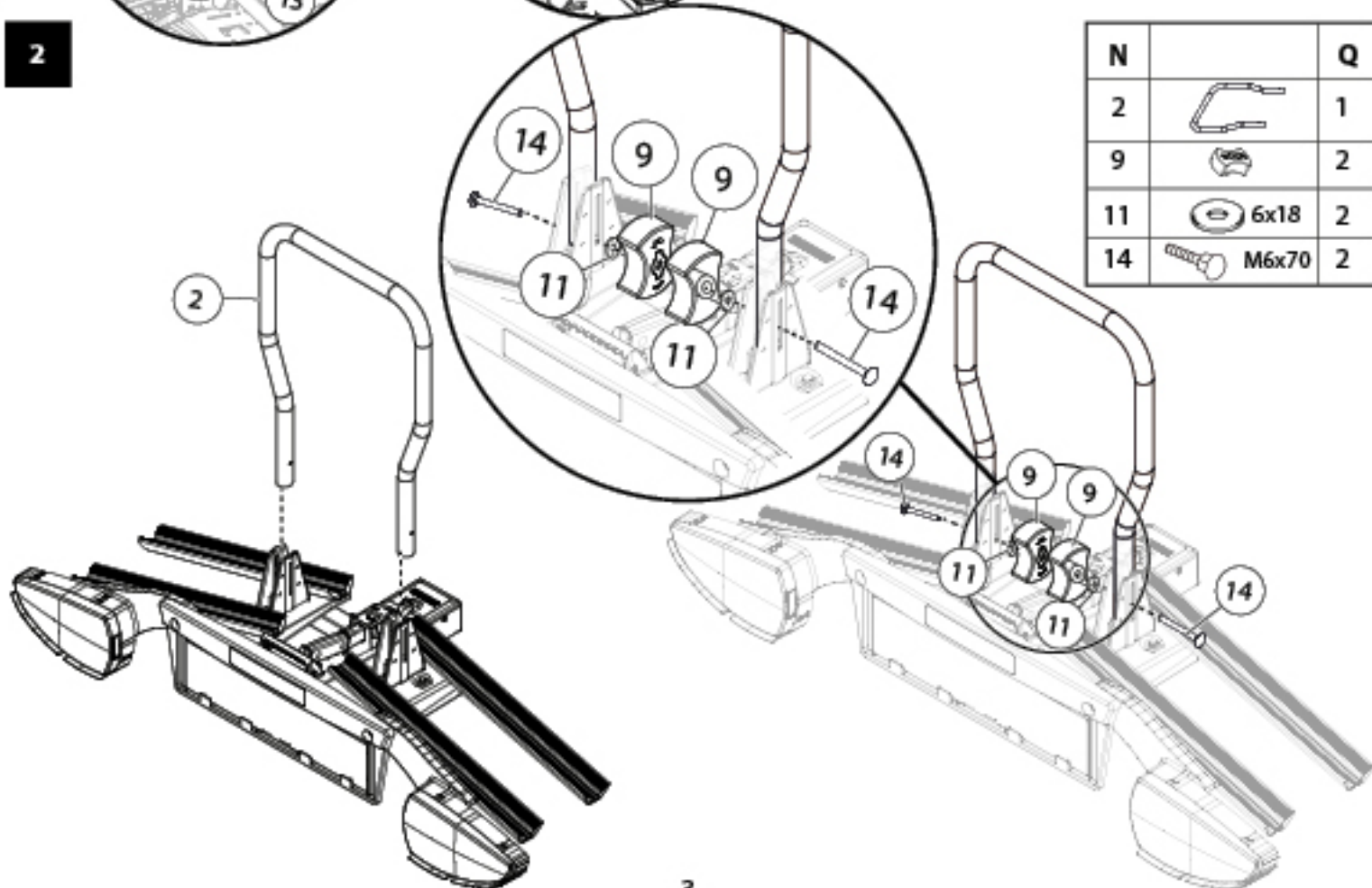
N	<ul style="list-style-type: none"> ■ Componenti (Incluse) ■ Componente (Incluido) ■ Composants (Comprises) ■ Die Komponenten (Im Lieferumfang enthalten) ■ Componentes (Incluido) ■ Komponenter (Inklusive) 	Q
1		1
2		1
3		2
4		2
5		2
6		4
7		4
8		4
9		2
10		2
11		2
12		4
13		4
14		2
15		1
16		2
17		2
18		2
19		2
20		2
21		1

N	<ul style="list-style-type: none"> ■ Itcambi (A Reclama) ■ Spare Parts (Made to order) ■ Pièces de rechange (Sur commande) ■ Ersatz (auf Anfrage) ■ Piezas de recambio (Previa solicitud) ■ Запасные части (по запросу) 	Q	Codice Code Code Código код
3		1	70002100000
4		1	70001740000
5		1	
6		4	70001300000
7		4	70002110000
8		4	70001550000
9		2	70001700000
10		1	70000320000
11		4	70002110000
12		2	
13		4	
14		2	
15		1	70000110000
16		2	70002110000
17		2	
18		2	
20		4	70002400000
21		1	70002390000
22		1	70002120000
23		1	DX 70002380000
24		1	SX 70002200000



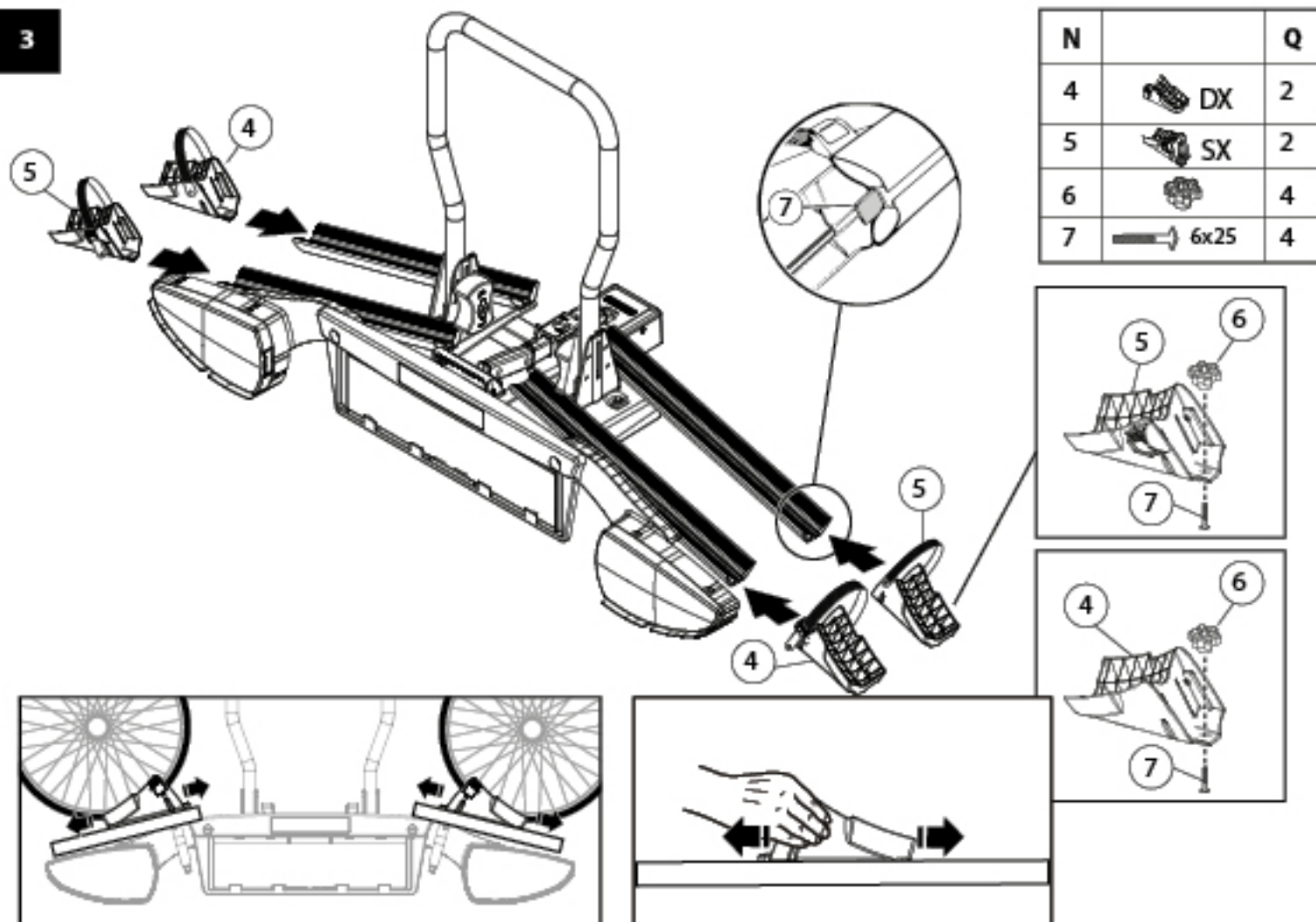
1**A**

N		Q
1		1
3		2
12	6x12	4
13	M6x16	4
19		1

B**C****2**

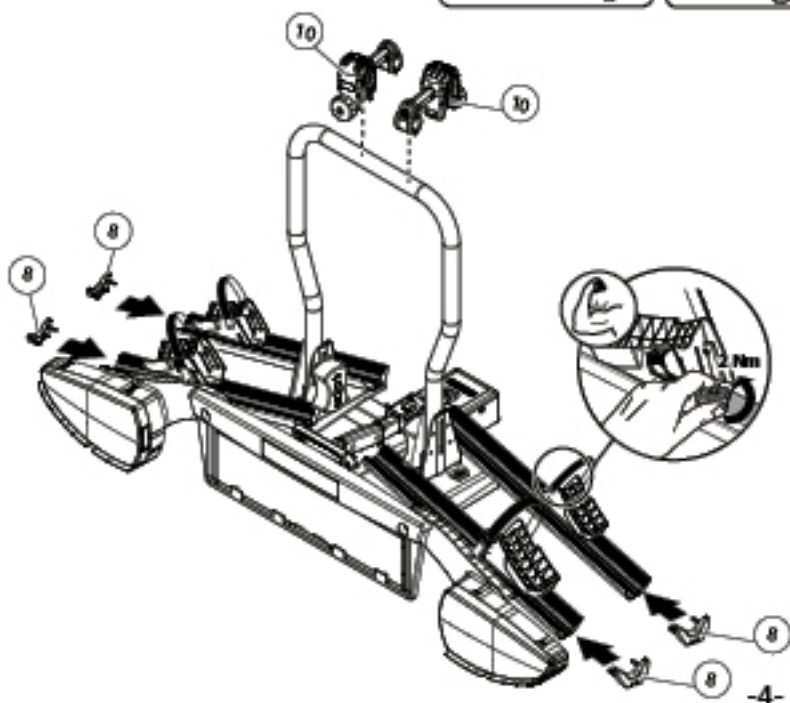
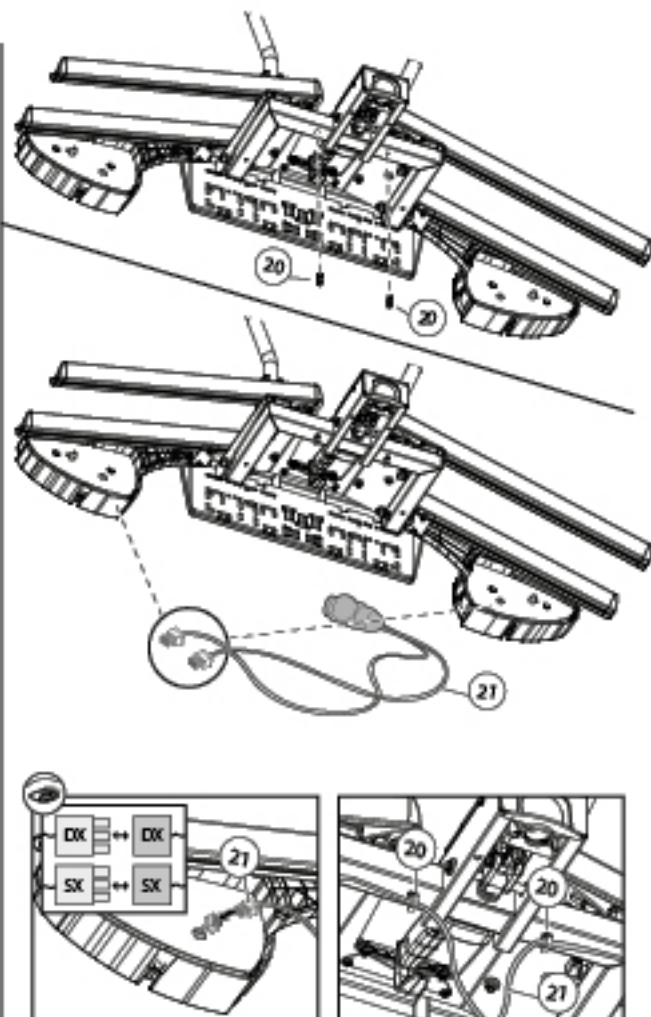
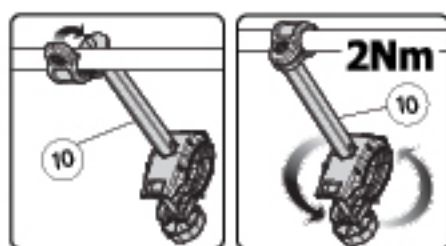
N		Q
2		1
9		2
11	6x18	2
14	M6x70	2

3

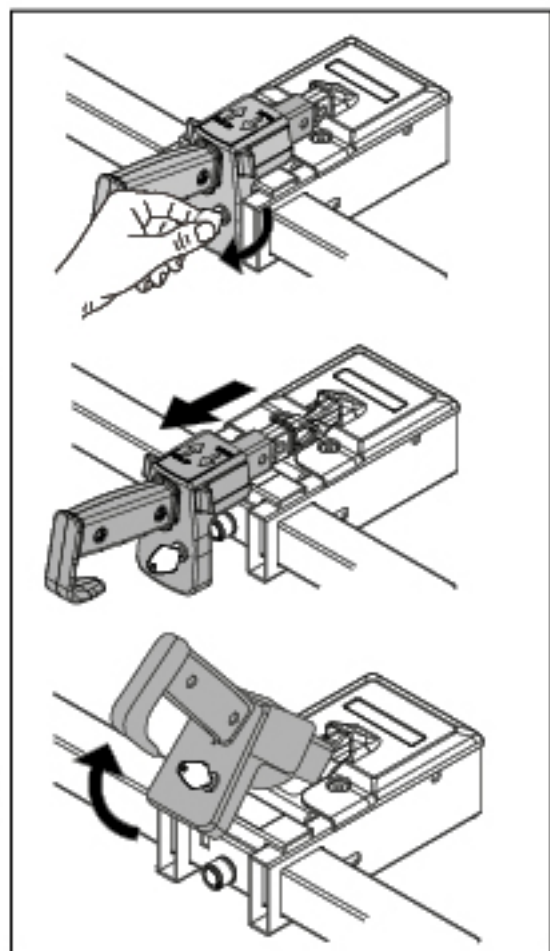
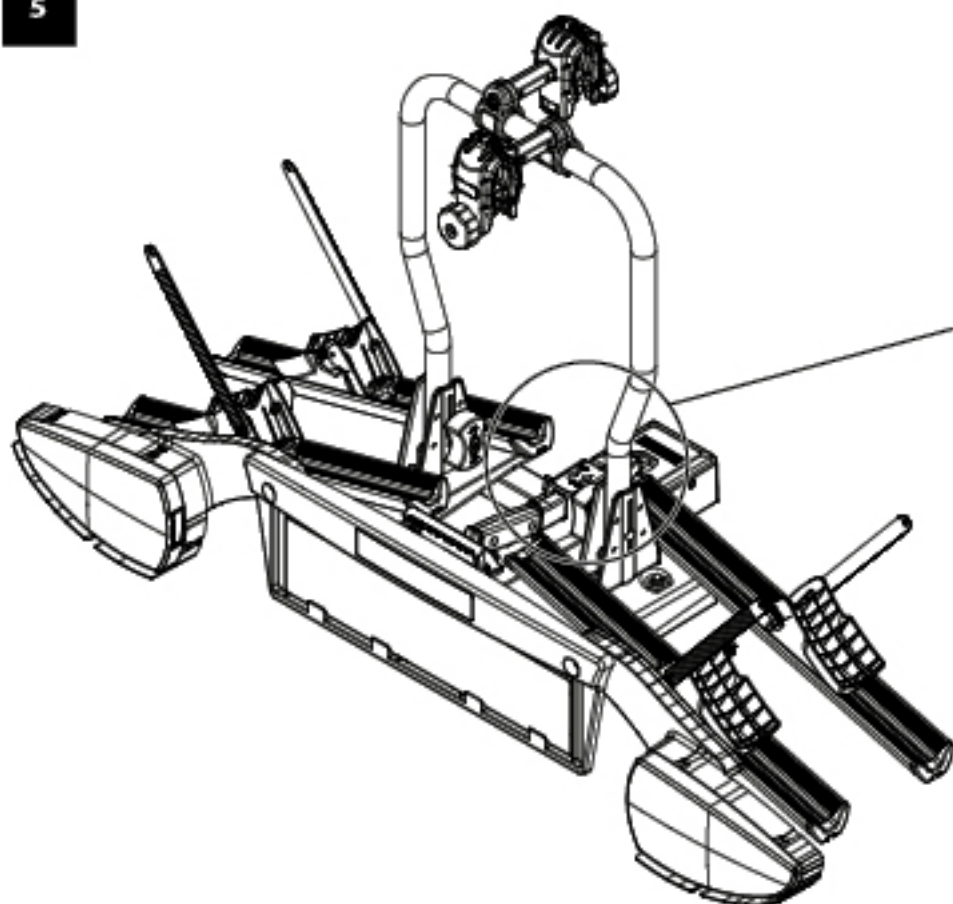


4

N		Q
10		2
8		4
20		2
21		1






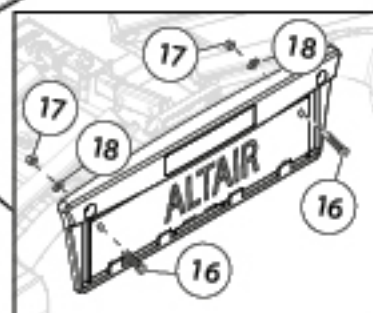
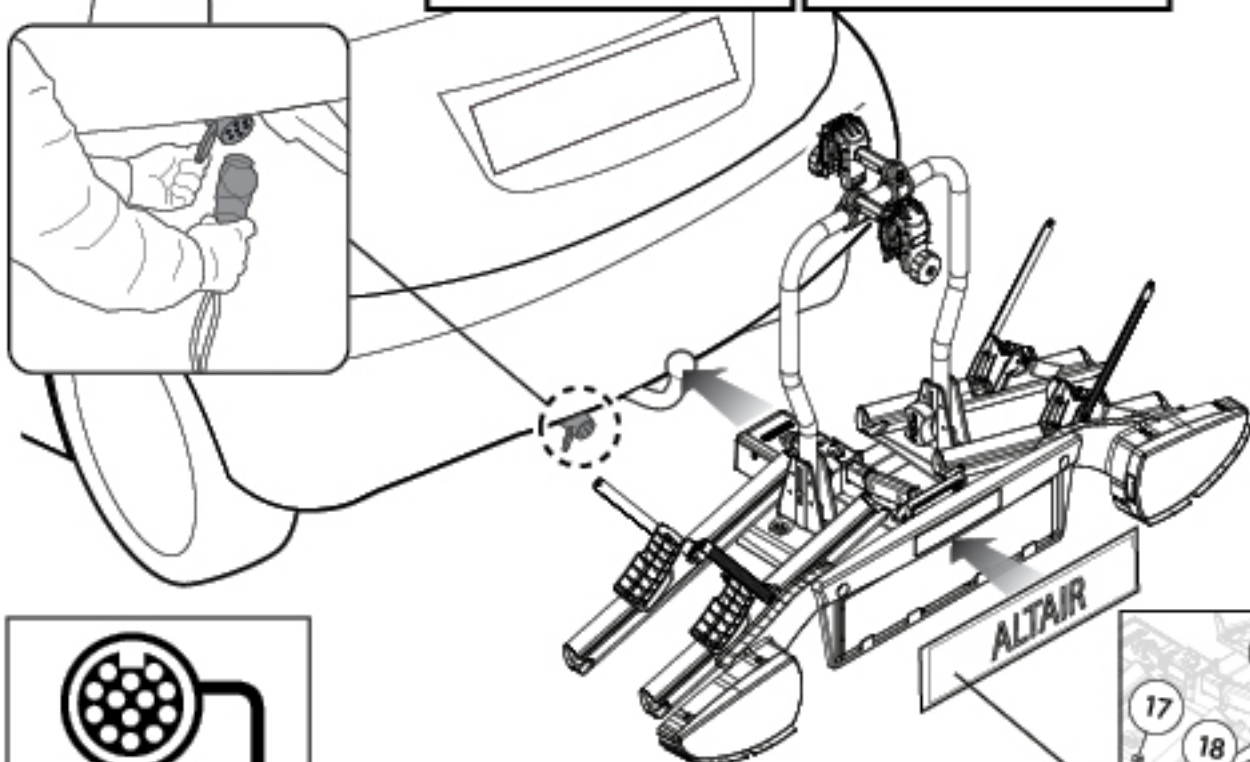
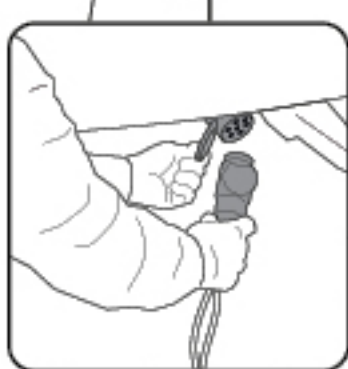
5

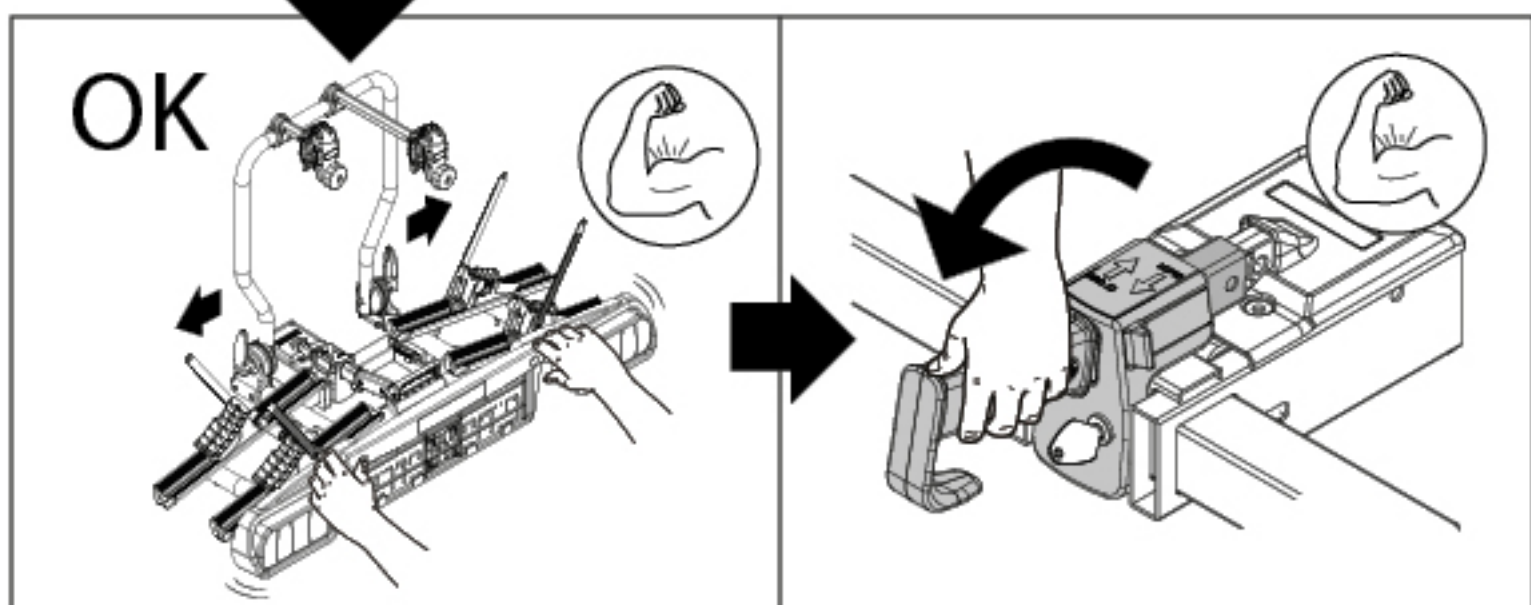
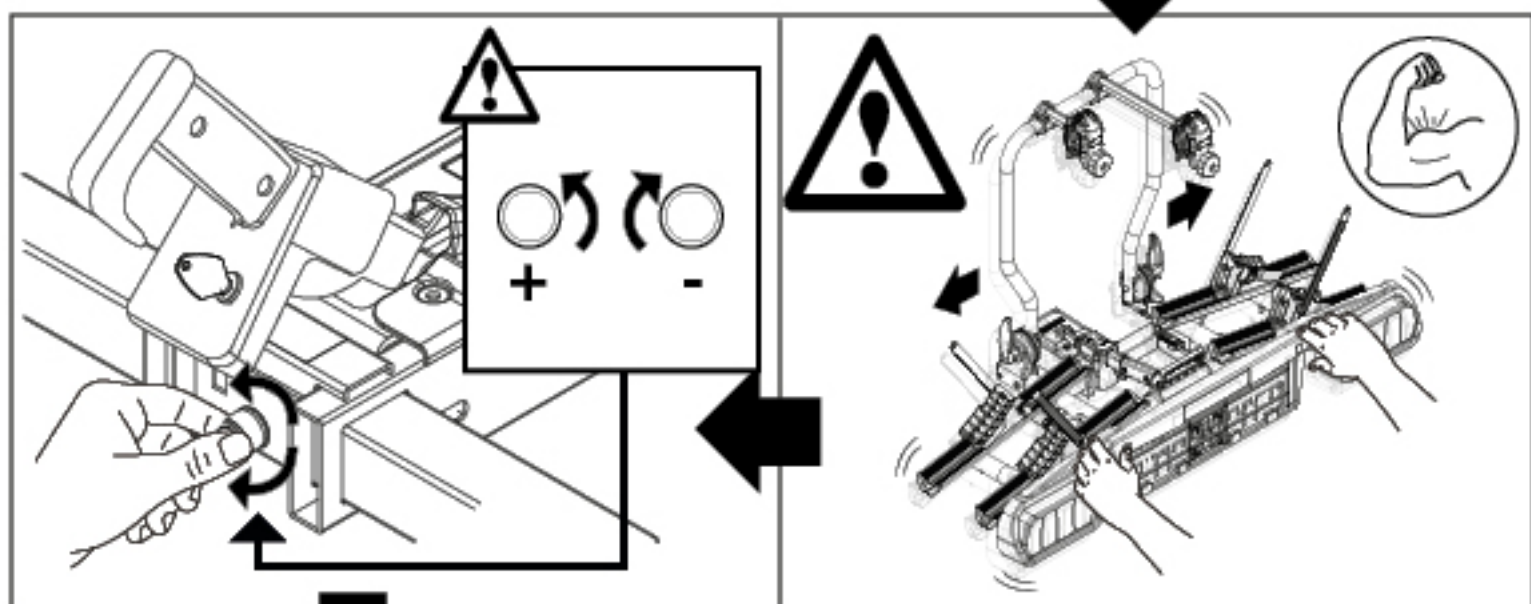
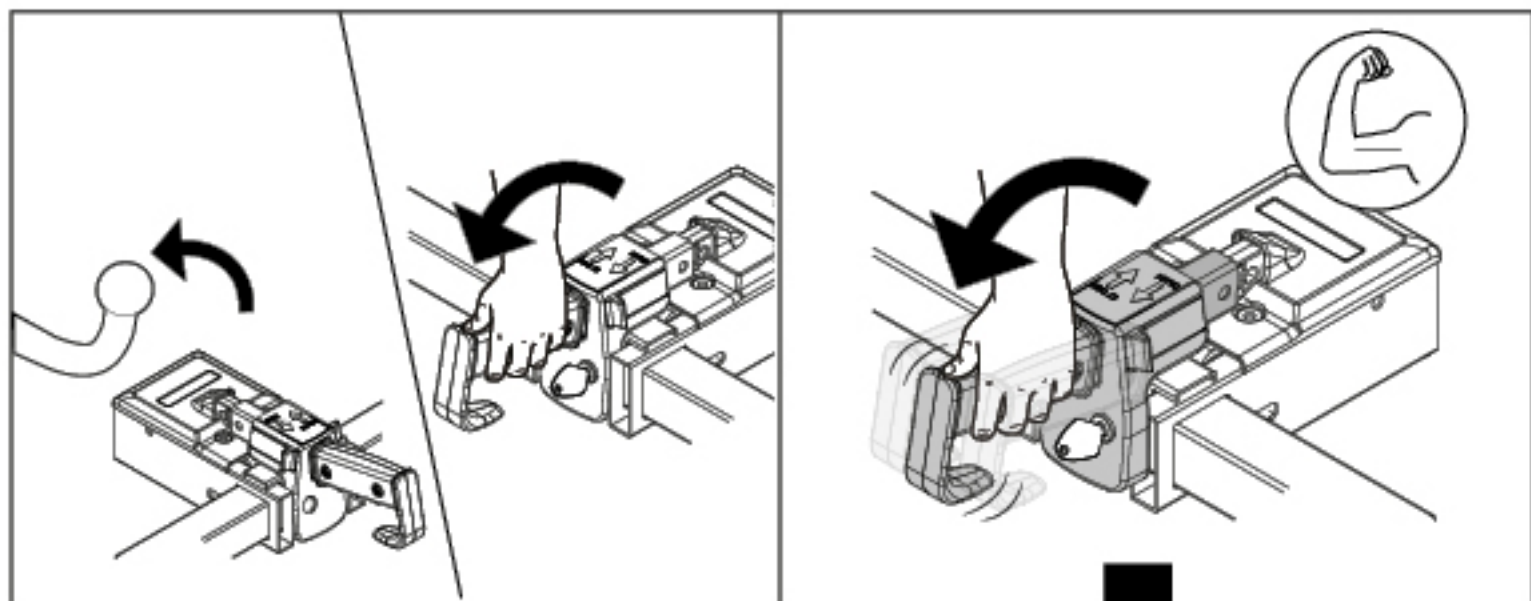


6

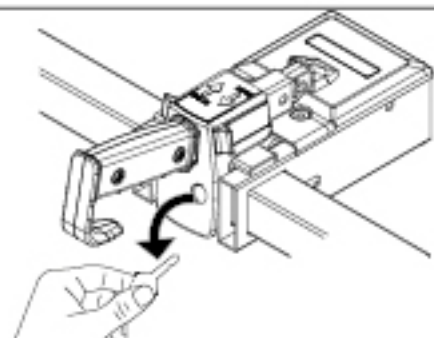
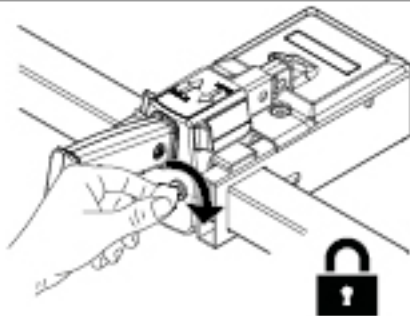
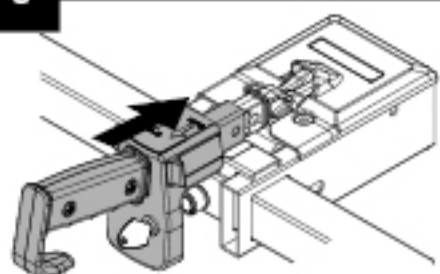


N		Q
16	 M5x16	2
17	 M5	2
18	 M5	2

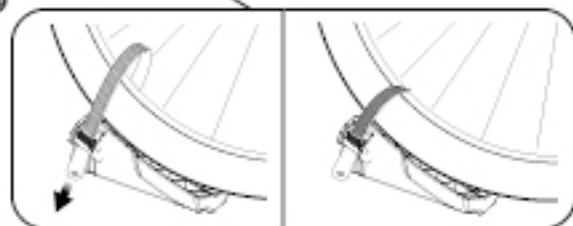
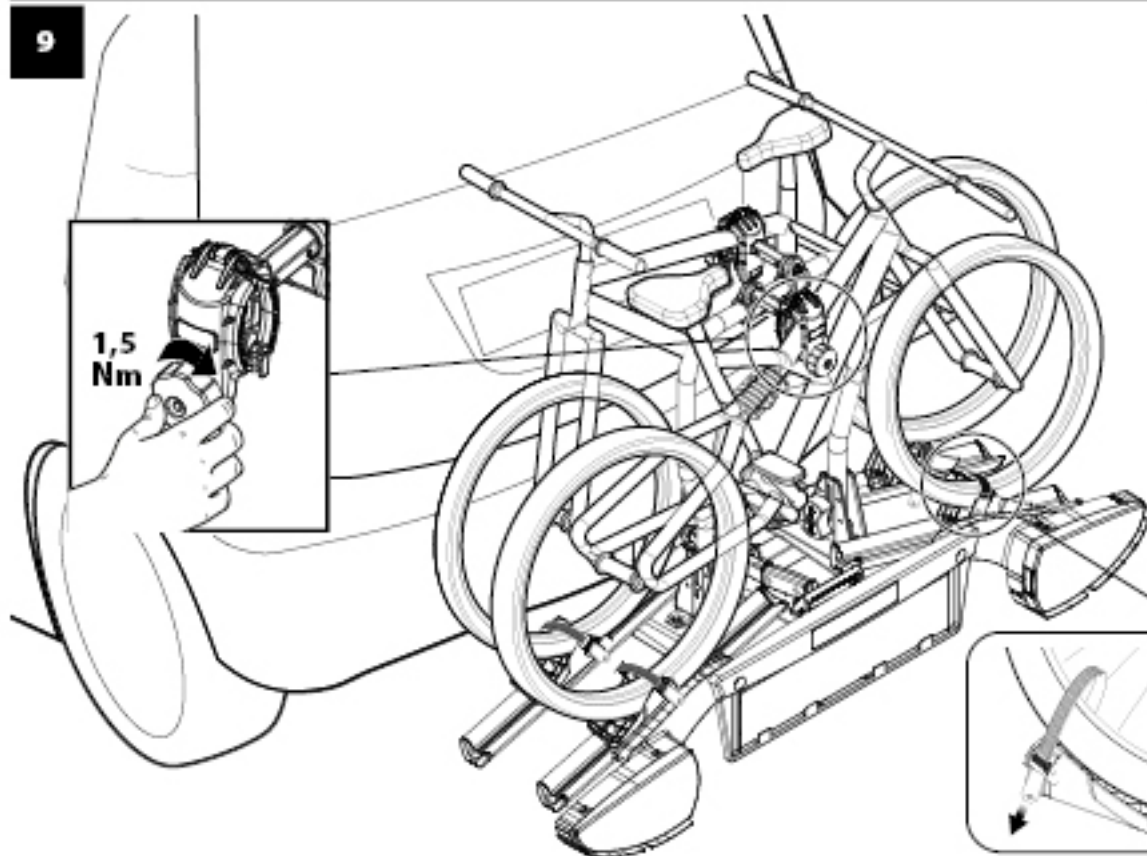




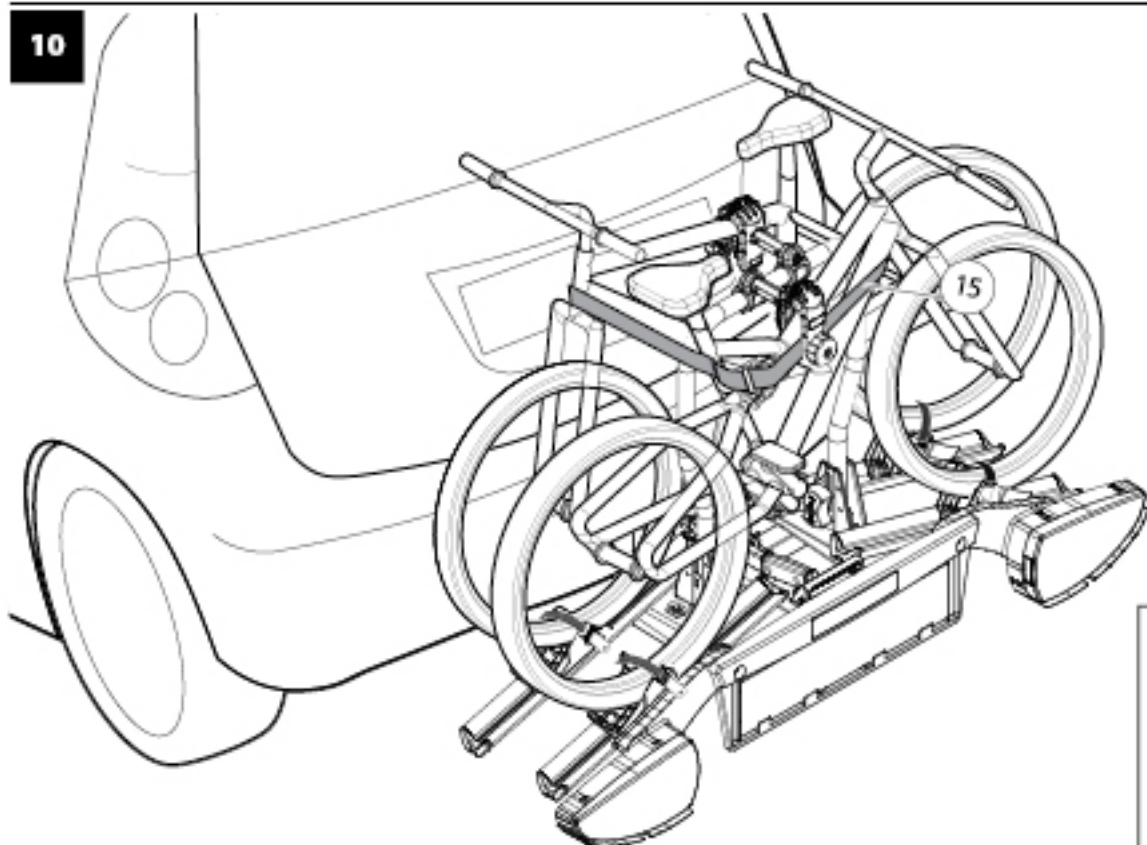
8



9



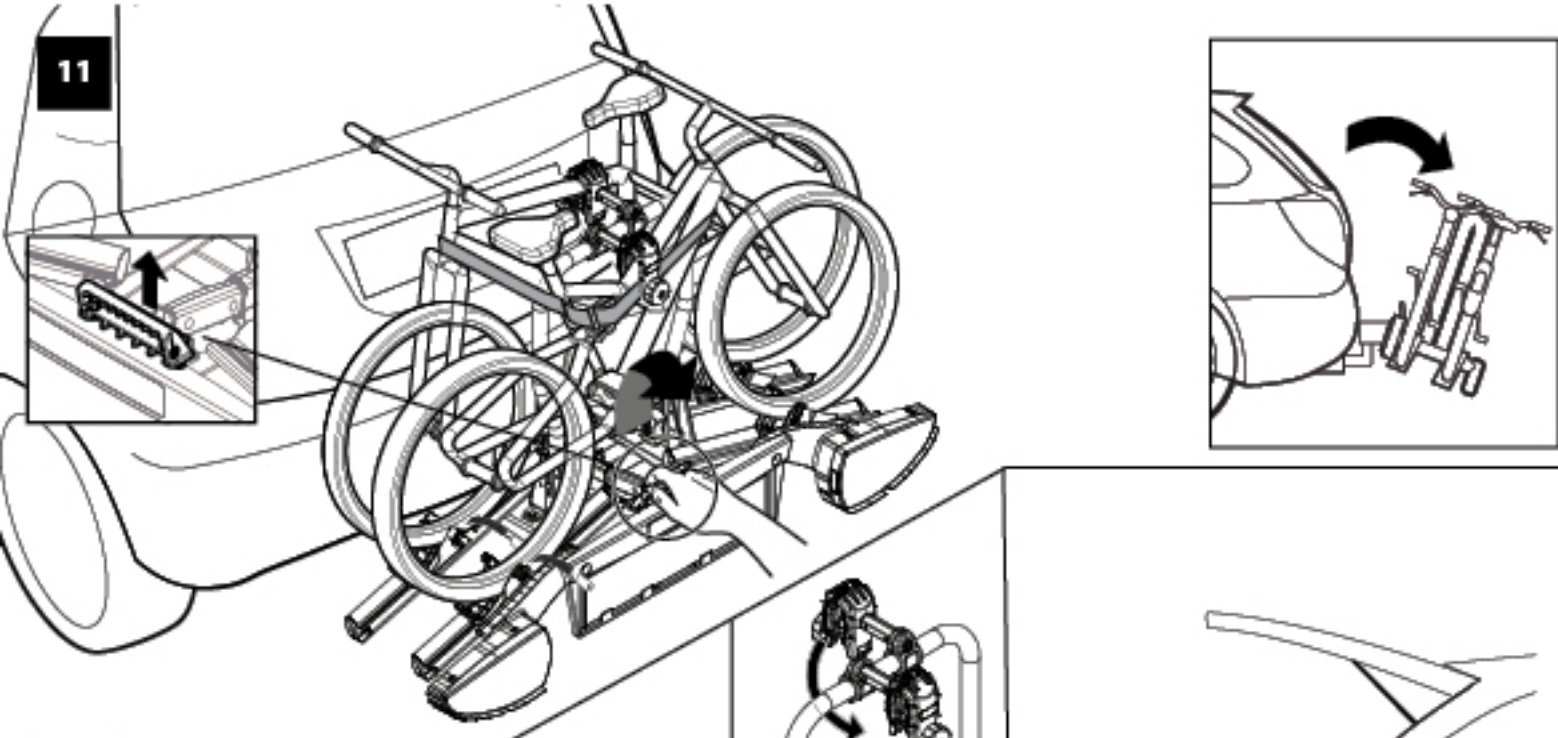
10



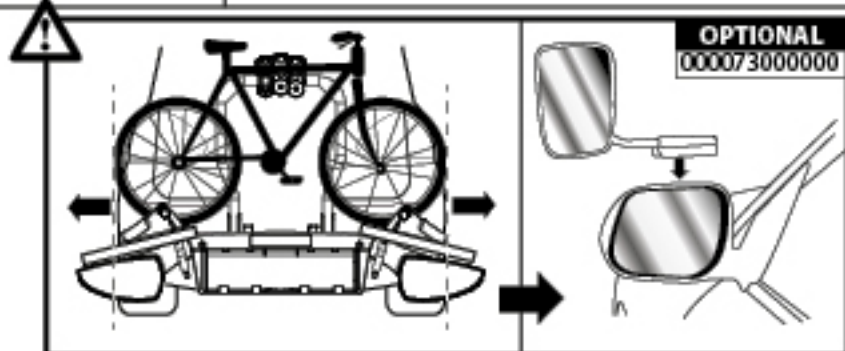
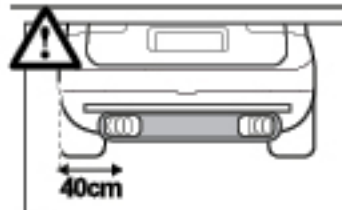
N		Q
15	MT 2,5	1



11



12



50kg

60kg

70kg

70kg>



16,4kg

2x

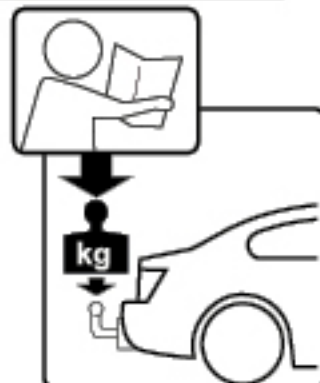


MAX 33,6 kg

MAX 43,6 kg

MAX 50 kg

MAX 50 kg



OPTIONAL KIT+1 000073000000



OPTIONAL Cod.000082100000

**MENABO**

FI Menabo S.r.l.
Via 8 Marzo, 3
I - 42025 Cavriago (RE)
Tel. +39-0522/942840
Fax. +39-0522/942948
e-mail: info@fi-menabo.it
Web-site: www.fi-menabo.it

Cod. Art.	Cod. Istr.	Data	Creato da	Approvato da
00007290000	500011200000	14/09/2015	NP	AS