

1

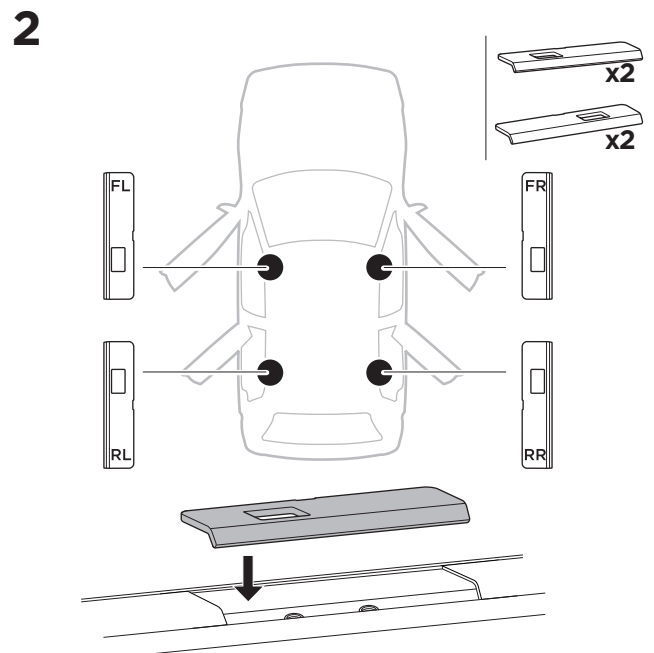
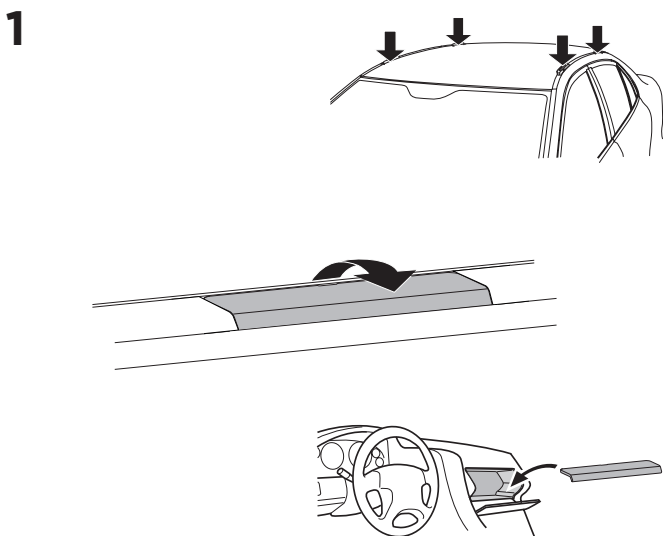
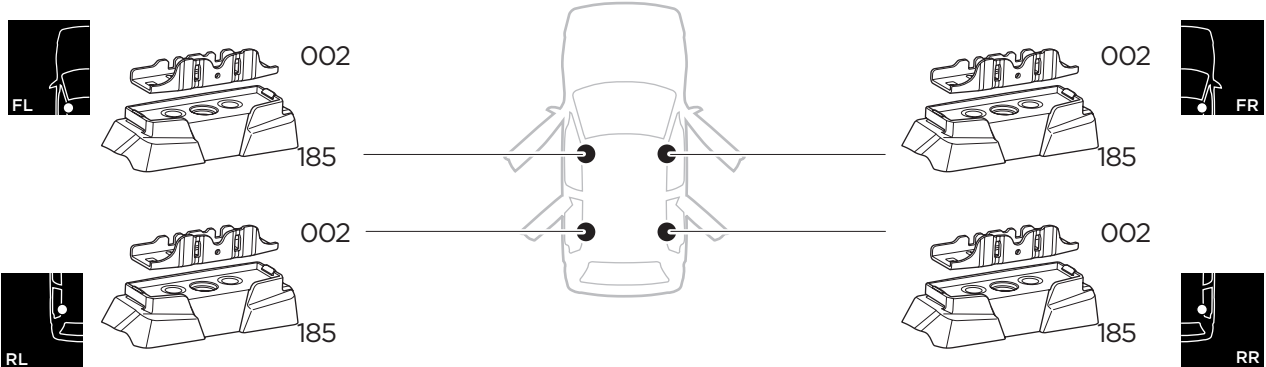
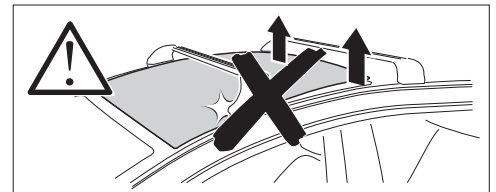
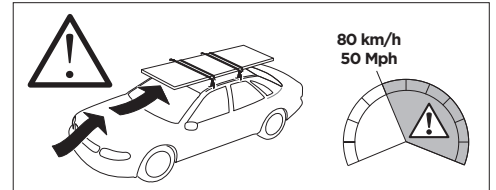
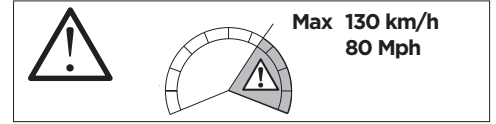
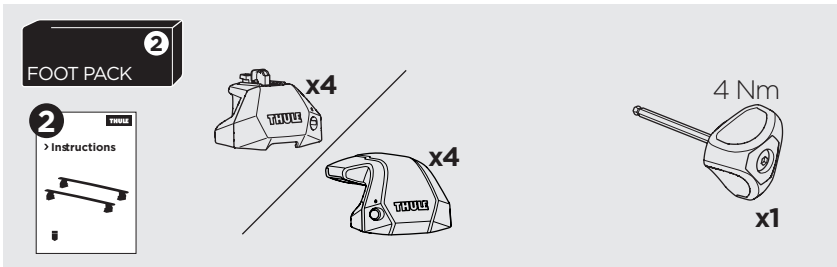
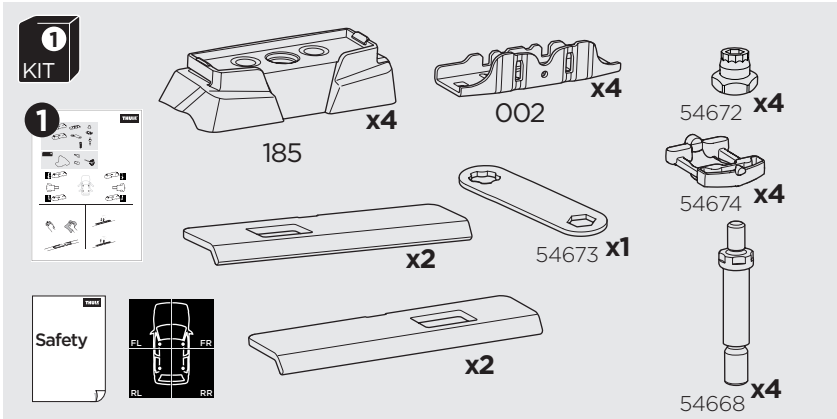
Kit 187100

TOYOTA Highlander, 5-dr SUV, 20-

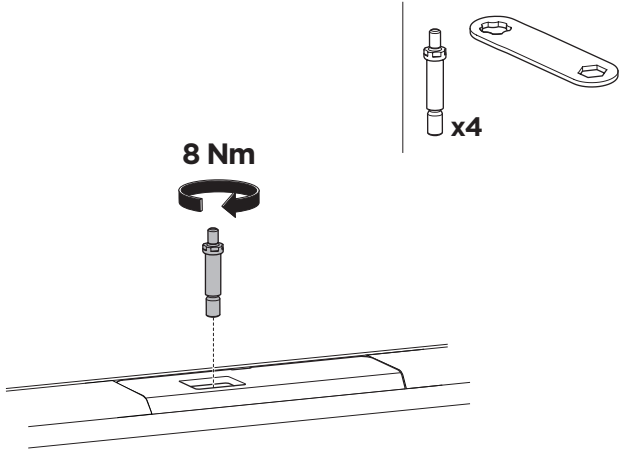


ISO 11154-E

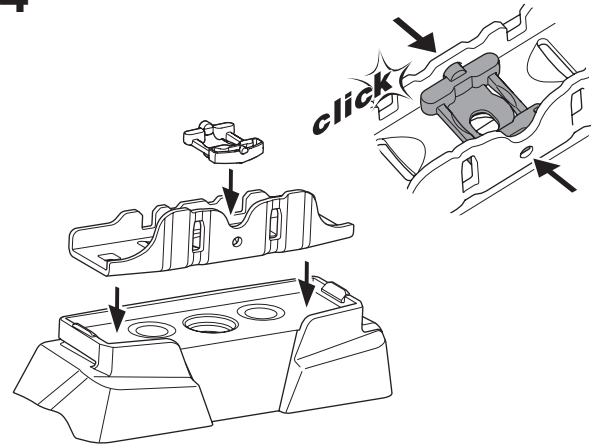
This kit is only for vehicles with fixpoint mounting.



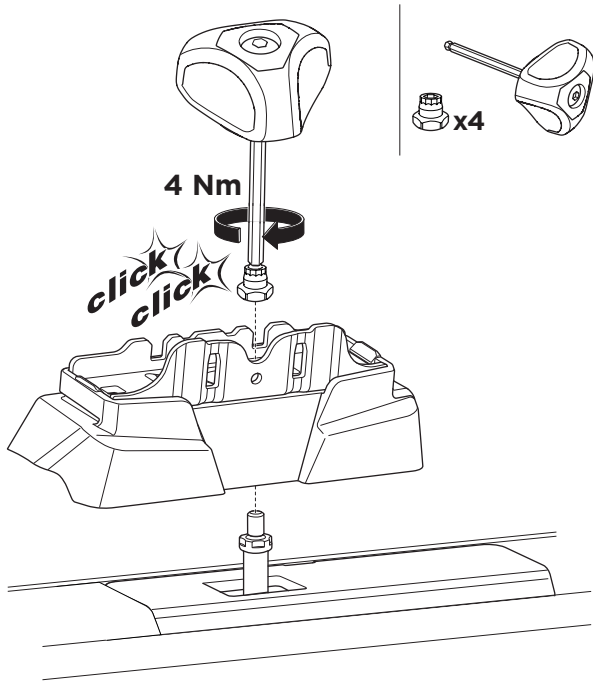
3



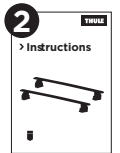
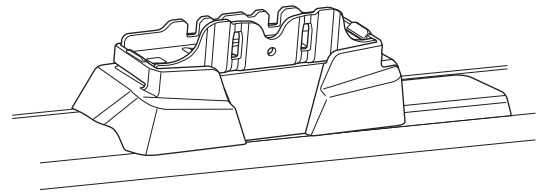
4



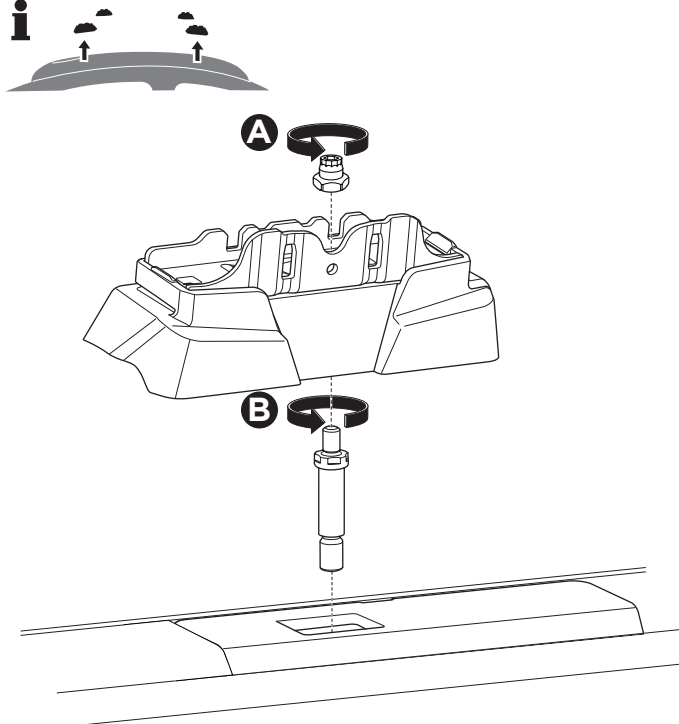
5



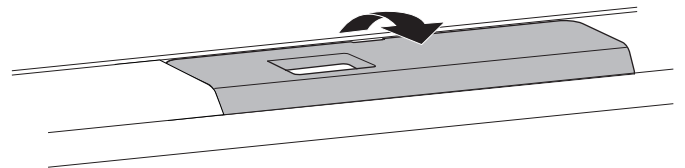
6



i



C



D

