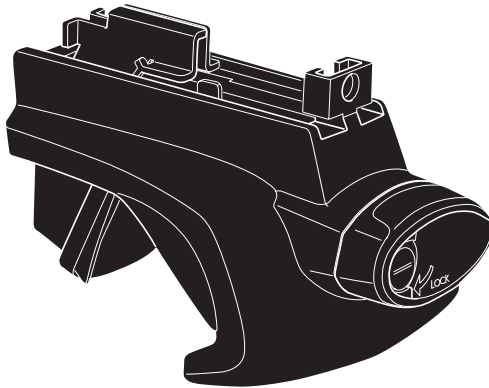


Thule Rapid System 757

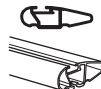
➤ Instructions



ISO 11154-E

CITY CRASH

Complies with ISO norm



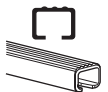
THULE WingBar



THULE SlideBar



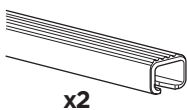
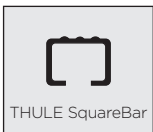
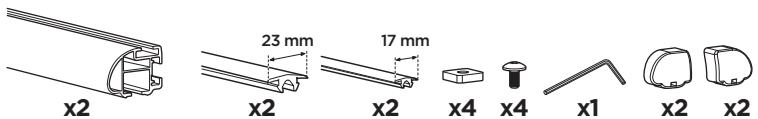
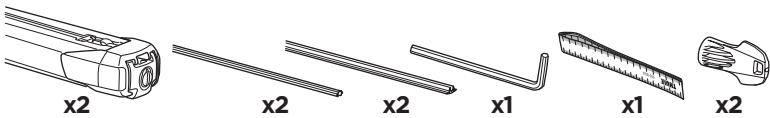
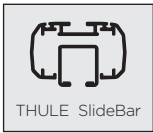
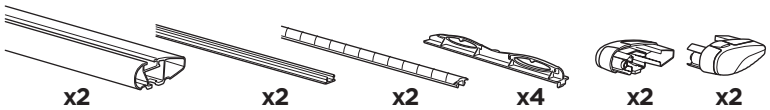
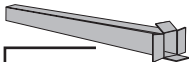
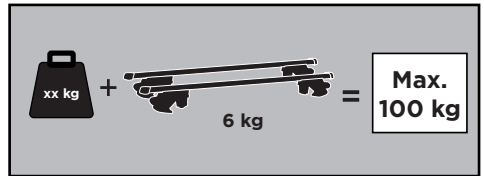
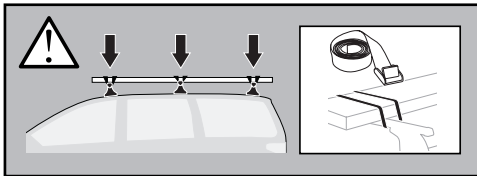
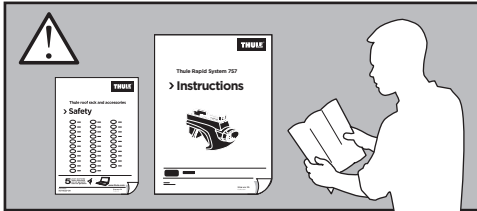
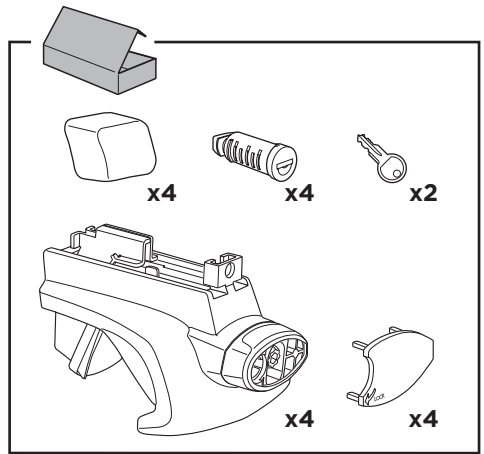
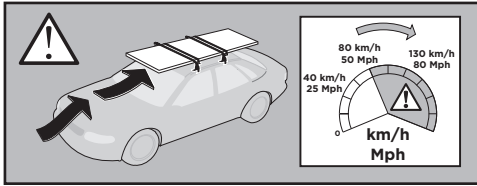
THULE ProBar



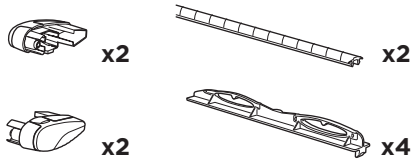
THULE SquareBar

757000

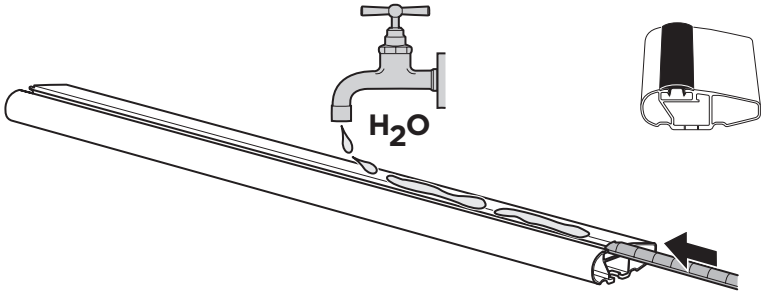
C.20150501
501-7235-06



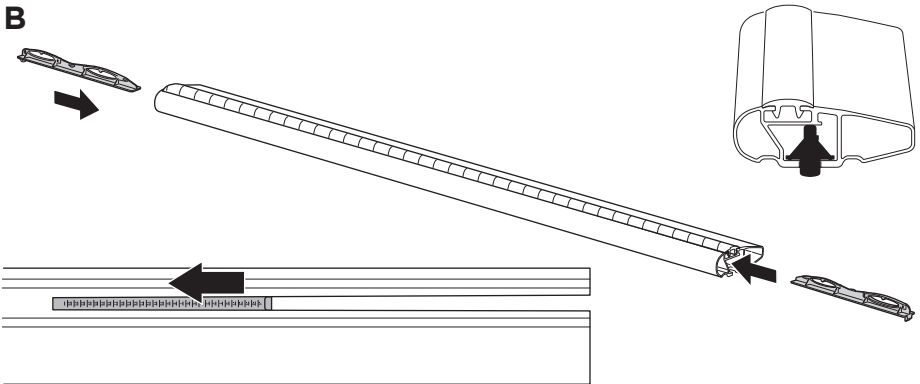
1



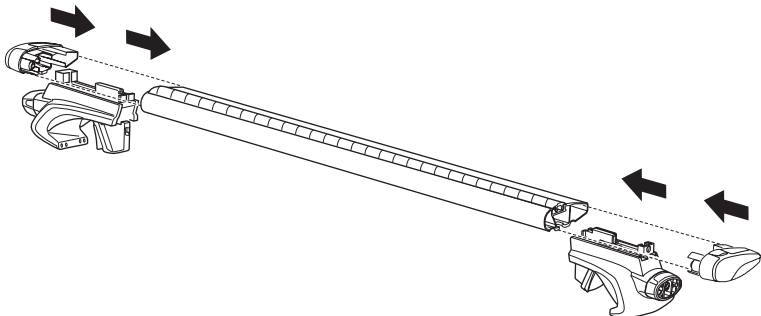
A



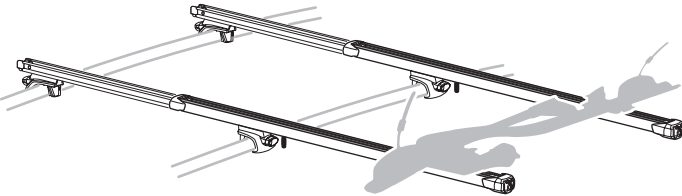
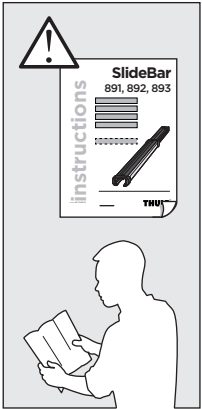
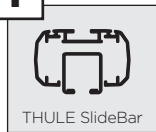
B



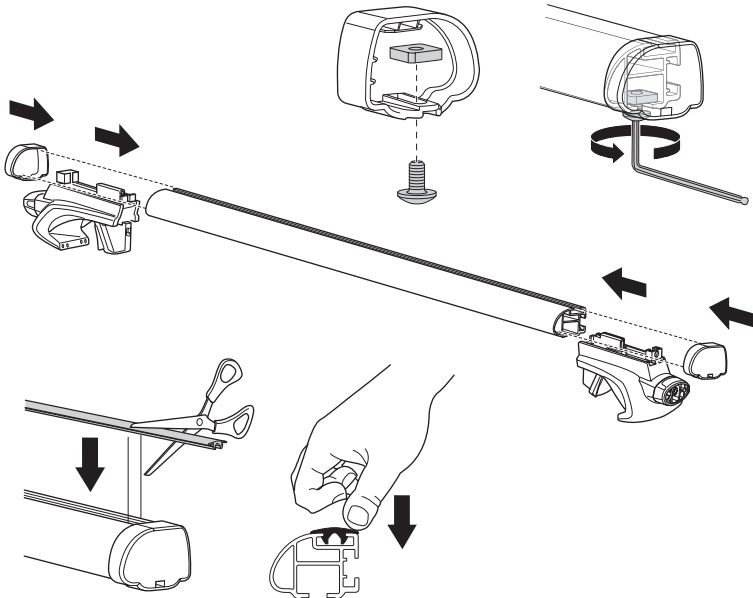
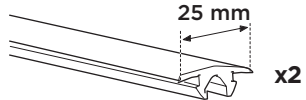
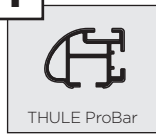
C



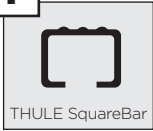
1



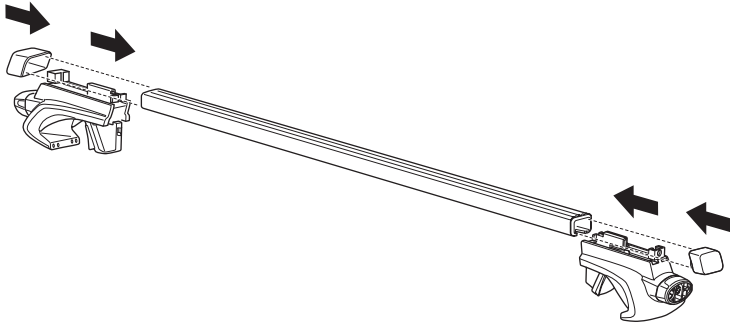
1



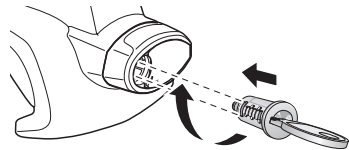
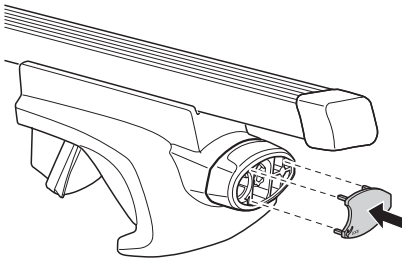
1

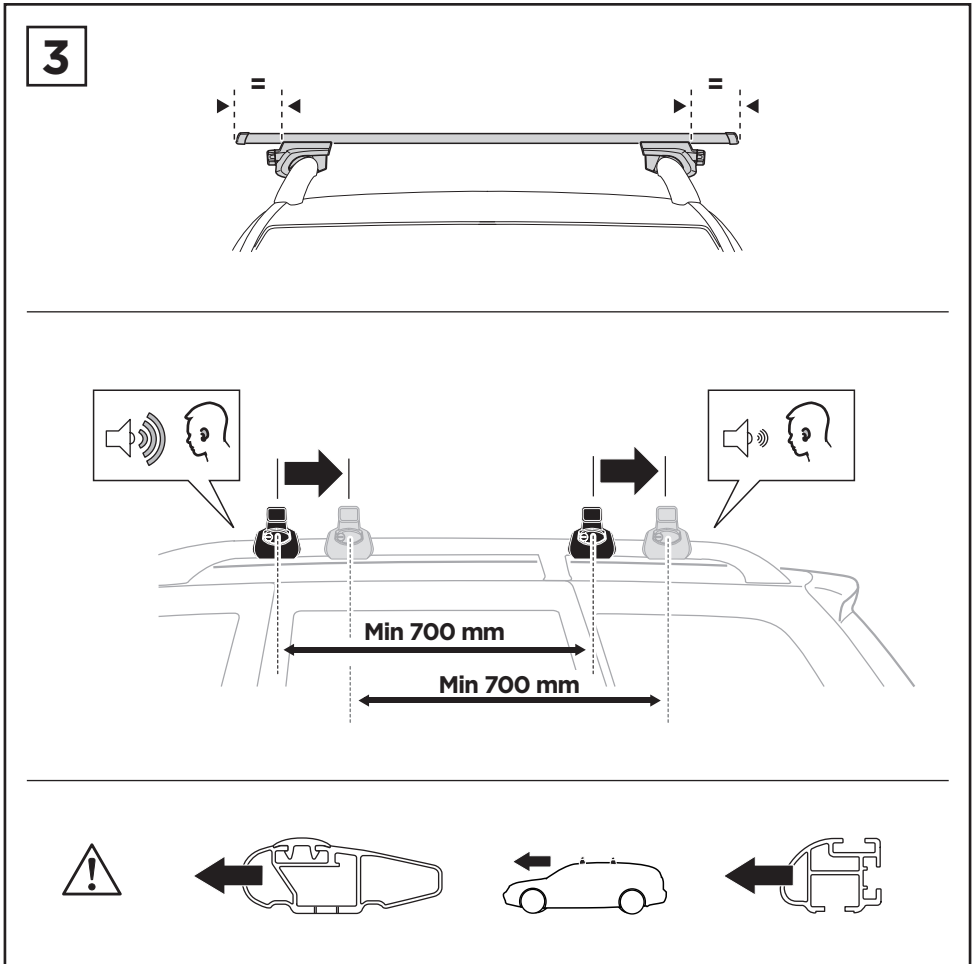
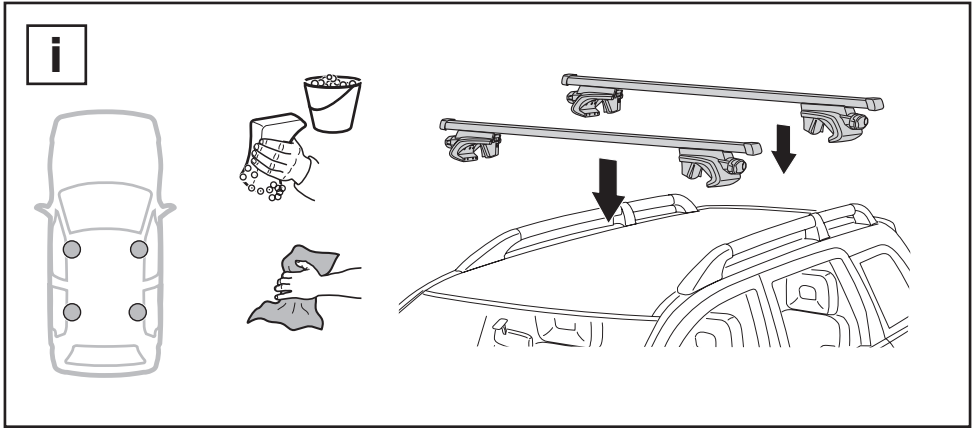


x4

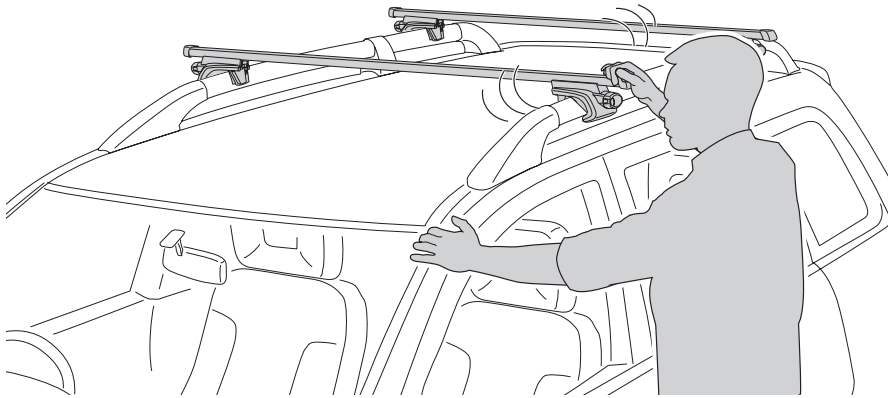
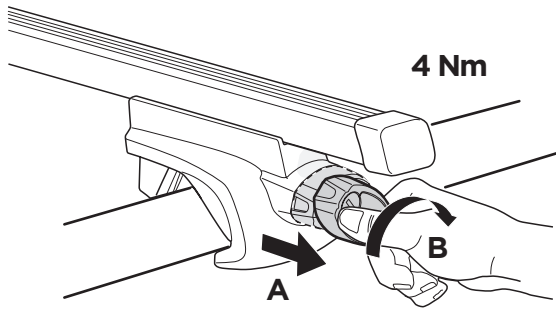


2

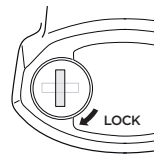
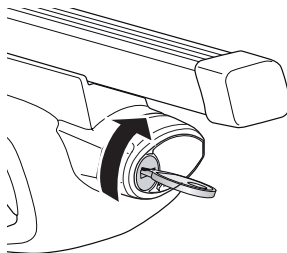
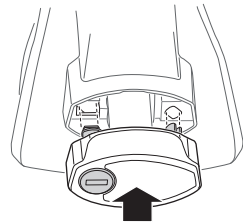
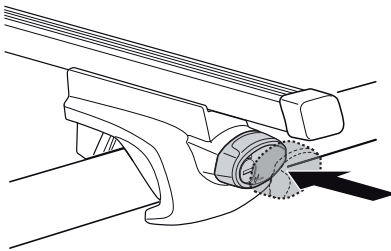


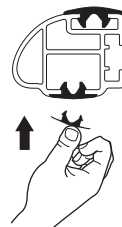
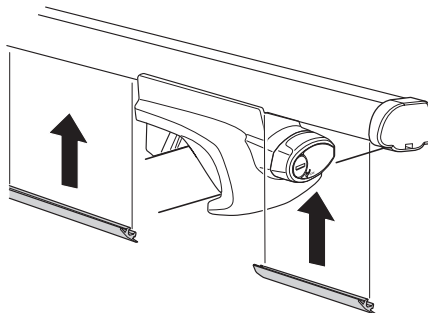
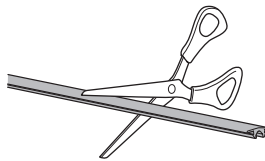
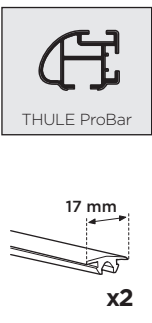
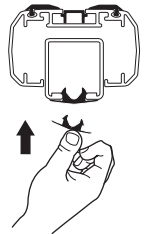
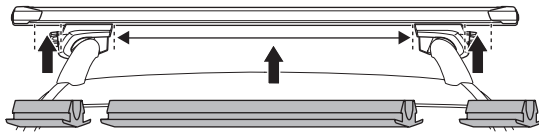
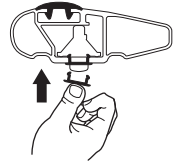
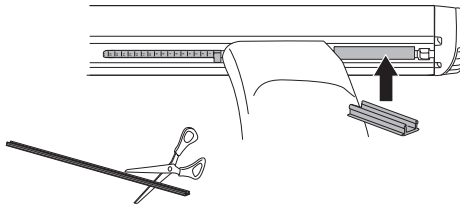
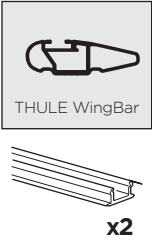


4



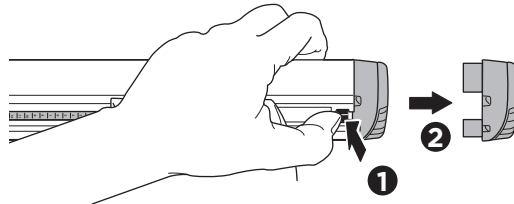
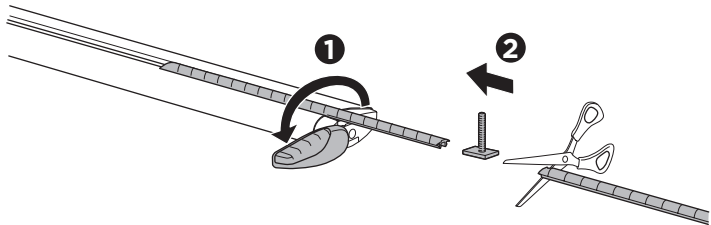
5



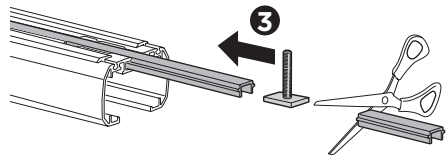
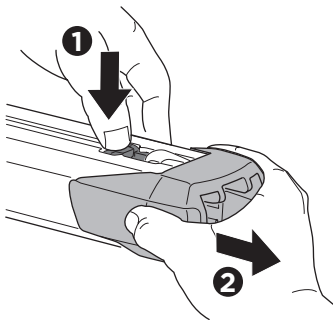


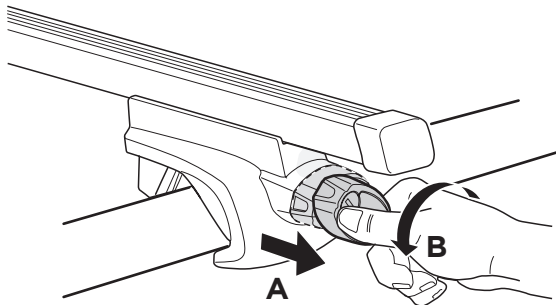
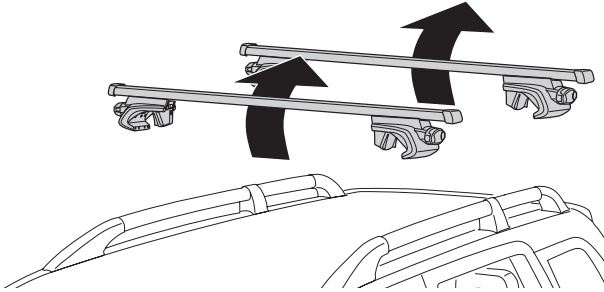
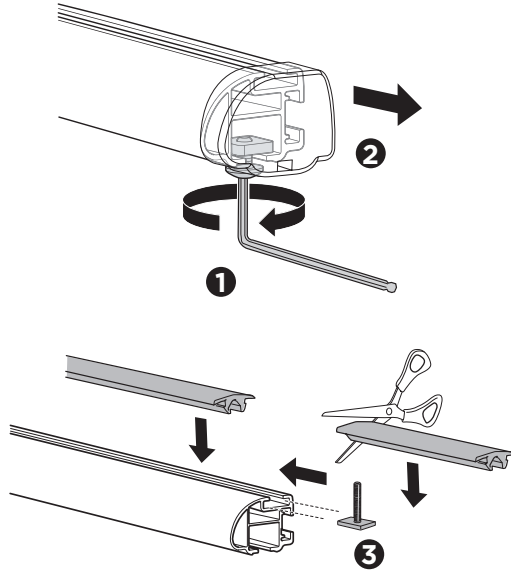


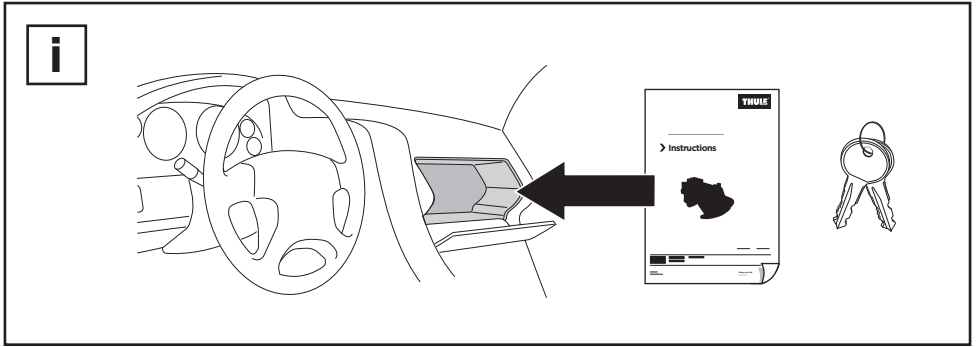
THULE WingBar



THULE SlideBar







Thule One-Key System

The diagram shows a large Thule key with a circular head on the left. A central Thule key is connected by a horizontal line to a vertical line, which then branches into six smaller icons representing different accessories: a roof rack, a bike rack, a kayak rack, a ski rack, a kayak rack, and a kayak rack.

544		(x4)
596		(x6)
588		(x8)
452		(x12)